



Cable protection conduits and fitting systems

MATERIAL CHARACTERISTICS



Materials used

MECHANICAL PROPERTIES



Protection classes



Crush resistance

THERMAL CHARACTERISTICS



Temperature / temperature range

FIRE PROPERTIES



Fire classification

GENERAL TECHNICAL DATA



Additional information

APPROVALS AND OPERATING PERMITS



EU railway approval
EN 45545-2



CSA approval



cULus approval



cURus approval



VDE approval



EX approval



ROBI approval

TECHNICAL INFORMATION



Halogen-free
DIN 53474



UV-resistant

CONFORMITY



RoHS (EC Directive 2002/95/EC)

CABLE PROTECTION CONDUITS AND FITTING SYSTEMS

1. Murrflex cable protection conduit closed	Page 559 – 602
1.1 Cable protection conduit type EW	Page 560 – 561
1.2 Cable protection conduit type EWX (high corrugation)	Page 562
1.3 Cable protection conduit type EWS	Page 563
1.4 Cable protection conduit type EWF	Page 564
1.5 Cable protection conduit type EWS/F	Page 565
1.6 Cable protection conduit type EW-PP	Page 566 – 567
1.7 Cable protection conduit type EWL-PP	Page 568 – 569
1.8 Cable protection conduit type EWX-PP (high corrugation)	Page 570
1.9 Cable protection conduit type EW-PA	Page 571 – 572
1.10 Cable protection conduit type EWL-PA	Page 573 – 574
1.11 Cable protection conduit type EWX-PA (high corrugation)	Page 575
1.12 Cable protection conduit type EW-PAB	Page 576 – 577
1.13 Cable protection conduit type EWL-PAB	Page 578
1.14 Cable protection conduit type EW-PAT	Page 579
1.15 Cable protection conduit type EWL-PAT	Page 580
1.16 Cable protection conduit type EW-PA-UL	Page 581 – 582
1.17 Cable protection conduit type EWX-PA-UL (high corrugation)	Page 583
1.18 Cable protection conduit type EW-PRF	Page 584 – 585
1.19 Cable protection conduit type EW-PRT	Page 586
1.20 Cable protection conduit type EW-PAE	Page 587 – 588
1.21 Cable protection conduit type EWX-PAE (high corrugation)	Page 589
1.22 Cable protection conduit type EW-HY	Page 590
1.23 Cable protection conduit type EWX-HY (high corrugation)	Page 591
1.24 Cable protection conduit type EF (rectangular conduit)	Page 592
1.25 Cable protection conduit type EWB	Page 593
1.26 Cable protection conduit type EW-TEF	Page 594
1.27 Cable protection conduit type EW-PA-EX	Page 595
1.28 Cable protection conduit type EW-PAP (with metal braiding)	Page 596
1.29 Cable protection conduit type EW-PATM (with metal braiding)	Page 597
1.30 Cable protection conduit type EL	Page 598
1.31 Cable protection conduit type ELS	Page 599
1.32 Cable protection conduit type EVK	Page 600
1.33 Cable protection conduit type GF (braided conduit)	Page 601
1.34 Cable protection conduit type GF-P (braided conduit)	Page 602
2. Murrflex cable protection conduit open	Page 603 – 614
2.1 Cable protection conduit type EW-LS	Page 604
2.2 Cable protection conduit type EWX-LS (high corrugation)	Page 605
2.3 Cable protection conduit type EW-PA-LS	Page 606
2.4 Cable protection conduit type EWX-PA-LS (high corrugation)	Page 607
2.5 Cable protection conduit type EWX-PP-LS (high corrugation)	Page 608
2.6 Cable protection conduit type EWX-PAE-LS (high corrugation)	Page 609
2.7 Cable protection conduit type EWX-HY-LS (high corrugation)	Page 610
2.8 Cable protection conduit type GF-P-LS	Page 611
2.9 Cable protection conduit type EWT-PA split-flex®	Page 612
2.10 Cable protection conduit type EWT-PAT split-flex®	Page 613
2.11 Cable protection conduit type EWT-PP split-flex®	Page 614
3. Conduit connection / bulkhead fitting	Page 615 – 660
3.1 m-top conduit fitting	Page 617 – 638
3.1.1 Conduit fitting type IVG (metal internal thread)	Page 618
3.1.2 Conduit fitting type VG (plastic thread)	Page 619 – 620
3.1.3 Conduit fitting type VG (metal thread)	Page 621 – 622
3.1.4 Conduit fitting type CVG (conduit and cable fitting, plastic thread)	Page 623
3.1.5 Conduit fitting type CVG EMV (conduit and cable fitting, metal thread)	Page 624
3.1.6 Conduit fitting type VW 45° (plastic thread)	Page 625 – 626
3.1.7 Conduit fitting type VW 45° (metal thread)	Page 627 – 628
3.1.8 Conduit fitting type CVW 45° (conduit and cable fitting, plastic thread)	Page 629
3.1.9 Conduit fitting type CVW 45° EMV (conduit and cable fitting, metal thread)	Page 630

Continued on next page



3.1.10	Conduit fitting type DVW 45° (360° rotatable conduit fitting, metal thread)	Page	631
3.1.11	Conduit fitting type VW 90° (plastic thread)	Page	632 – 633
3.1.12	Conduit fitting type VW 90° (metal thread)	Page	634 – 635
3.1.13	Conduit fitting type CVW 90° (conduit and cable fitting, plastic thread)	Page	636
3.1.14	Conduit fitting type CVW 90° EMV (conduit and cable fitting, metal thread)	Page	637
3.1.15	Conduit fitting type DVW 90° (360° rotatable conduit fitting, metal thread)	Page	638
3.2	m-tec conduit fitting	Page	639 – 652
3.2.1	Conduit fitting type EH	Page	640 – 642
3.2.2	Conduit fitting type EH/S	Page	643 – 644
3.2.3	Conduit fitting type CSKV (conduit and cable fitting)	Page	645 – 646
3.2.4	Conduit fitting type MCSKV (conduit and cable fitting)	Page	647 – 648
3.2.5	Conduit fitting type KW 90°	Page	649 – 650
3.2.6	Conduit fitting type CKW (conduit and cable fitting)	Page	651
3.3	m-fix conduit fitting	Page	653 – 660
3.3.1	Conduit fitting type MSV (plug-in fitting)	Page	654 – 655
3.3.2	Conduit fitting type KSV (conduit and cable fitting)	Page	656 – 657
3.3.3	Conduit fitting type WSV 90° (angle plug-in fitting)	Page	658 – 659
3.3.4	Type DR-NBR (sealing ring)	Page	660
4.	Bulkhead fitting	Page	661 – 666
4.1	Bulkhead fitting type KFW	Page	662 – 663
4.2	Bulkhead fitting type KFW/D	Page	664
4.3	Bulkhead fitting type KFW/X	Page	665
5.	m-jumbo conduit connection	Page	667 – 670
5.1	Conduit fitting type SA-Jumbo (flange connection)	Page	668
5.2	Conduit fitting type KFW-Jumbo (90° flange connection)	Page	669
5.3	Type DS (seal)	Page	670
6.	Special fitting / connection	Page	671 – 678
6.1	Special fitting type EH-EMV	Page	672
6.2	Special fitting type AT	Page	673
6.3	Special fitting type SVT	Page	674
6.4	Special fitting type SVT-X	Page	675
6.5	Special fitting type EVK-PG	Page	676
6.6	Special fitting type FL-EF	Page	677
6.7	Special fitting type ELD/K	Page	678
7.	Cable protection conduit holder	Page	679 – 690
7.1	Variable holders	Page	680 – 681
7.1.1	Holder type HS (conduit holder)	Page	680
7.1.2	Accessories - bracket type HS/B	Page	681
7.2	Fixed holders	Page	682 – 688
7.2.1	Holder type UHE	Page	682
7.2.2	Holder type UH	Page	683
7.2.3	Holder type UHG	Page	684
7.2.4	Type BL (clamping bracket for types UH and UHG)	Page	685
7.2.5	Holder type UHF	Page	686
7.2.6	Holder type USH	Page	687
7.2.7	Holder type UH-S	Page	688
7.3	Rectangular conduit holders	Page	689
7.3.1	Holder type EF/B	Page	689
7.4	Special cable protection conduit holders	Page	690
7.4.1	Holder type USH/D	Page	690

8. Protectors / conduit couplings / conduit distributors	Page 691 – 700
8.1 Protectors	Page 692 – 693
8.1.1 Protector type PR/SV	Page 692 – 693
8.2 Conduit couplings	Page 694
8.2.1 Conduit coupling type SVG	Page 694
8.3 Conduit distributors	Page 695 – 700
8.3.1 Conduit distributor type VT	Page 695 – 696
8.3.2 Conduit distributor type VT-V	Page 697
8.3.3 Conduit distributor type SVY	Page 698
8.3.4 Conduit distributor type YPA-F	Page 699
8.3.5 Conduit distributor type YTPF-F	Page 700
9. Cable fittings	Page 701 – 718
9.1 Cable fitting type m-seal® KV (plastic version)	Page 702 – 703
9.2 Cable fitting type m-seal® MV (metal version)	Page 704 – 705
9.3 Cable fitting type m-seal® EMC (EMV)	Page 706
9.4 Cable fitting type WKK (plastic version)	Page 707 – 709
9.5 Cable fitting type WKK-EX (plastic version)	Page 710
9.6 Cable fitting type WKM (metal version)	Page 711 – 712
9.7 Cable fitting type MWKM (metal version with multi-insert)	Page 713
9.8 Cable fitting type WKM-EMV (metal version)	Page 714
9.9 Cable fitting type KKV	Page 715
9.10 Cable fitting type KV-ME (multi-insert)	Page 716
9.11 Cable fitting type m-seal ME (multi-insert)	Page 717
10. Accessories	Page 719 – 746
10.1 Lock nut type KGM (plastic lock nut)	Page 720 – 721
10.2 Divisible lock nut type GMT (plastic lock nut)	Page 722
10.3 Lock nut type GM (metal lock nut)	Page 723
10.4 Lock nut type GM EMV (metal lock nut for EMC applications)	Page 724
10.5 Dummy plug type BSTK (plastic dummy plug)	Page 725 – 726
10.6 Dummy plug type BST (metal dummy plug)	Page 727
10.7 Reducing bush type KRR (plastic reducing bush)	Page 728 – 729
10.8 Reducing bush type RR (metal reducing bush)	Page 730 – 731
10.9 Extension type ER/EG (metal extension)	Page 732 – 733
10.10 Seal type OR-NBR (O-ring)	Seite 734
10.11 End grommet type ET-EN	Page 735
10.12 End grommet type ET	Page 736
10.13 Connection angle type KAW (plastic connection angle)	Page 737
10.14 Fastening bracket type BWM	Page 738
10.15 Conduit clamp type SS	Page 739
10.16 Conduit clamp type SSG	Page 740
10.17 End cap	Page 741
10.18 Room integrity strip type RAB	Page 742
10.19 Spiral tape type SB/SBF	Page 743
10.20 Spiral tape type SBX	Page 744
10.21 Edge protection profile	Page 745
11. Tools	Page 747 – 750
11.1 Wire insertion tool type KE	Page 748
11.2 Conduit knife type Tube-Cut (Conduit knife for cable protection conduits)	Page 749
11.3 Conduit cutter type m-cut	Page 750

APPENDIX

Selection table cable protection conduits – material / temperatures / approvals	Page 752
Selection table cable protection conduits – applications	Page 753
Selection table cable protection conduits – mechanical protection	Page 754
Selection table fittings – features and approvals	Page 755
Index of types	Page 756



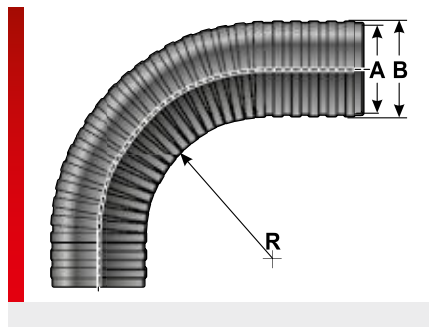


Murrflex cable protection conduits



Murrflex cable protection conduit closed

Type EW



PRODUCT INFORMATION

The EW cable protection conduits are made of specially modified polyethylene. The material is halogen, phosphor and cadmium-free. The EW cable protection conduits are characterised by excellent flexibility and good flexural fatigue strength.

- Applications:
- Light mechanical loads
 - Plant engineering
 - Mechanical engineering
 - Control cabinet construction

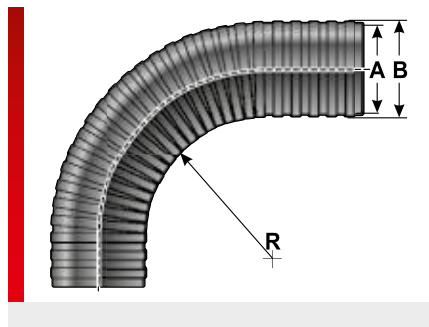
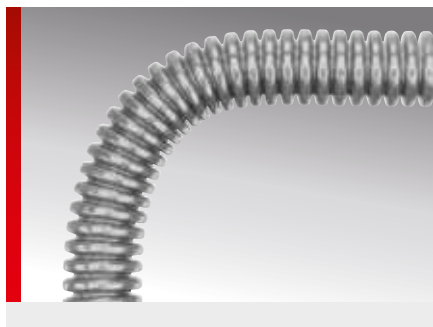
SPECIFICATIONS

- 20 – 70 °C short term 90 °C
- Mod. polyethylene
- Acc. to UL94 HB
- In conformity with IEC EN 61386
Crush resistance: > 200 N
- In conformity with IEC EN 61386
Cycles: > 4000 ~

RoHS
 HF
 Made in Germany

Type	Order No.	Colour	A Ø mm	B Ø mm	R stat. mm	Weight kg/100m	Pack m
Standard corrugation							
EW-M10/P7	83101050	Black	8.40	11.40	30.00	2.2	50
EW-M12/P9	83101052	Black	9.80	12.80	40.00	2.4	50
EW-M16/P11	83101054	Black	12.00	15.70	45.00	3.4	50
EW-M20/P16	83101056	Black	15.90	21.00	55.00	5.4	50
EW-M25/P21	83101060	Black	22.40	28.30	70.00	8.2	50
EW-M32/P29	83101062	Black	27.90	34.00	80.00	11.0	25
EW-M40/P36	83101064	Black	35.60	42.70	100.00	12.4	25
EW-M50/P48	83101066	Black	47.20	53.90	115.00	19.5	25
EW-70 Jumbo	83101070	Black	66.80	79.20	180.00	48.0	25
EW-95 Jumbo	83101074	Black	90.40	105.50	200.00	75.0	10
Grey							
EW-M10/P7	83101010	Grey	8.40	11.40	30.00	2.2	50
EW-M12/P9	83101012	Grey	9.80	12.80	40.00	2.4	50
EW-M16/P11	83101014	Grey	12.00	15.70	45.00	3.4	50
EW-M20/P16	83101016	Grey	15.90	21.00	55.00	5.4	50
EW-M25/P21	83101022	Grey	22.40	28.30	70.00	8.2	50
EW-M32/P29	83101026	Grey	27.90	34.00	80.00	11.0	25
EW-M40/P36	83101030	Grey	35.60	42.70	100.00	12.4	25
EW-M50/P48	83101032	Grey	47.20	53.90	115.00	19.5	25
EW-70 Jumbo	83101036	Grey	66.80	79.20	180.00	48.0	25
EW-95 Jumbo	83101040	Grey	90.40	105.50	200.00	75.0	10

Type EWX (high corrugation)



PRODUCT INFORMATION

The EWX cable protection conduits are made of specially modified polyethylene. The material is halogen, phosphor and cadmium-free. For medium mechanical loads in mechanical and plant engineering (e.g. bundling of cables on machines).

The EWX cable protection conduits have a higher corrugation and feature the following advantages:

- Excellent flexibility
- Less wear
- Good crush resistance

SPECIFICATIONS

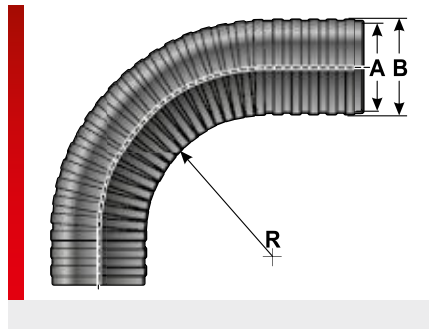
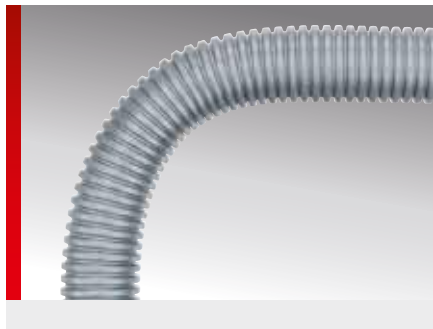
- 20 – 70 °C short term 90 °C
- Mod. polyethylene
- Acc. to UL94 HB
- In conformity with IEC EN 61386
Crush resistance: > 600 N
- In conformity with IEC EN 61386
Cycles: > 1600 ~



Type	Order No.	Colour	A Ø mm	B Ø mm	R stat. mm	Weight kg/100m	Pack m
High corrugation							
EWX-M25/P21	83102018	Grey	18.00	28.00	49.00	9.0	50
EWX-M32/P29	83102020	Grey	22.60	33.90	57.00	11.5	25
EWX-M40/P36 ¹⁾	83102022	Grey	29.00	41.80	71.00	16.0	25
EWX-M50/P48 ¹⁾	83102024	Grey	37.00	53.80	87.00	26.0	25

¹⁾ No stock goods, delivery time and minimum order quantities upon request

Type EWS



PRODUCT INFORMATION

The EWS cable protection conduits are made of specially modified polyethylene. The material is halogen, phosphor and cadmium-free. They are characterised by excellent flexibility and good resetting characteristics.

The EWS Cable conduits are suitable for light mechanical loads in control cabinet construction and wherever cables are bundled.

- Applications:
- Control cabinet construction

SPECIFICATIONS

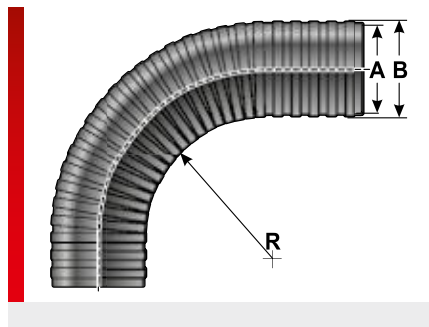
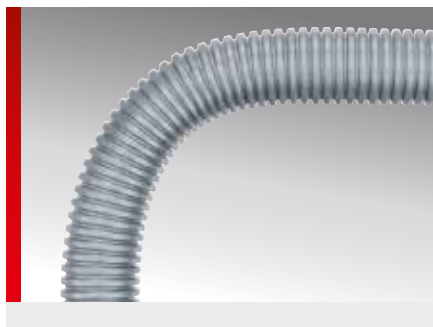
- 20 – 70 °C short term 90 °C
- Mod. polyethylene
- Acc. to UL94 HB
- In conformity with IEC EN 61386
Crush resistance: > 400 N
- In conformity with IEC EN 61386
Cycles: > 40000 ~



Type	Order No.	Colour	A Ø mm	B Ø mm	R stat. mm	Weight kg/100m	Pack m
Standard corrugation							
EWS-M20/P16	83101610	Grey	15.90	20.90	55.00	5.4	50
EWS-M25/P21	83101612	Grey	22.40	28.30	70.00	8.2	50
EWS-M32/P29	83101614	Grey	27.90	34.00	80.00	9.5	25
EWS-M40/P36	83101616	Grey	35.60	42.50	100.00	12.4	25
EWS-M50/P48	83101618	Grey	47.20	53.90	115.00	19.5	25
Narrow corrugation							
EWS-M32/P29S ¹⁾	83101620	Grey	28.40	33.80	80.00	9.5	25

¹⁾No stock goods, delivery time and minimum order quantities upon request

Type EWF



PRODUCT INFORMATION

The EWF cable protection conduits are made of specially modified polyethylene. The material is halogen, phosphor and cadmium-free.

The self-extinguishing EWF cable protection conduits are characterised by excellent flexibility and good flexural fatigue strength. For light mechanical loads in mechanical and plant engineering (e.g. bundling of cables at the control cabinet door).

Applications:

- Plant engineering
- Mechanical engineering
- Control cabinet construction

SPECIFICATIONS

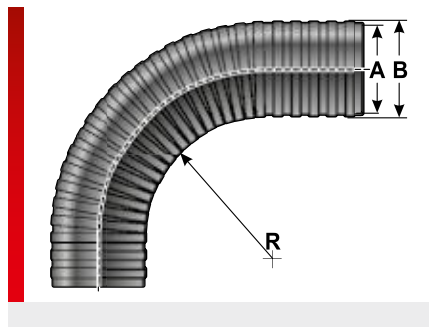
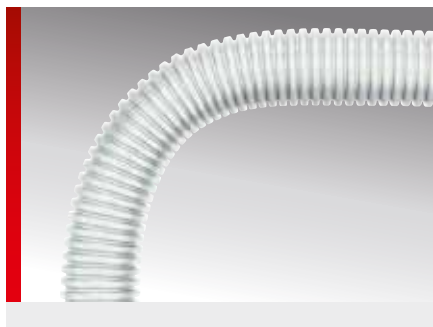
- 20 – 90 °C short term 120 °C
- Mod. polyethylene
- Acc. to UL94 V2 self-extinguishing
- In conformity with IEC EN 61386
Crush resistance: > 400 N
- In conformity with IEC EN 61386
Cycles: > 2500 ~



Type	Order No.	Colour	A Ø mm	B Ø mm	R stat. mm	Weight kg/100m	Pack m
Standard corrugation							
EWF-M12/P9 ¹⁾	83101410	Grey	9.80	12.80	35.00	2.4	50
EWF-M16/P11 ¹⁾	83101412	Grey	12.00	15.70	40.00	3.4	50
EWF-M20/P16	83101414	Grey	15.90	21.00	55.00	5.4	50
EWF-M25/P21	83101416	Grey	22.40	28.30	65.00	8.2	50
EWF-M32/P29	83101418	Grey	27.90	34.00	75.00	11.0	25
EWF-M40/P36	83101420	Grey	35.60	42.70	85.00	12.4	25
EWF-M50/P48 ¹⁾	83101422	Grey	47.20	53.90	95.00	19.5	25

¹⁾ No stock goods, delivery time and minimum order quantities upon request

Type EWS/F



PRODUCT INFORMATION

The EWS/F cable protection conduits are made of specially modified polyethylene. The material is halogen, phosphor and cadmium-free.

The self-extinguishing EWS/F cable protection conduits are characterised by excellent flexibility, flexural fatigue strength and by their special colouration of RAL 7035 light grey.

For very light mechanical loads in mechanical and plant engineering (e.g. bundling of cables at the control cabinet door).

Applications:

- Control cabinet construction
- Plant engineering

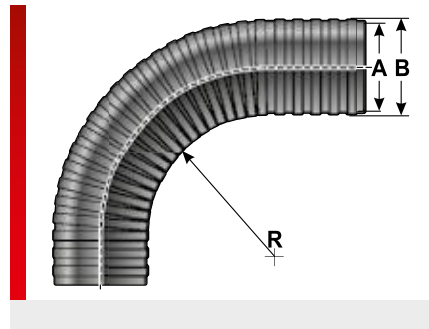
SPECIFICATIONS

- 20 – 90 °C short term 120 °C
- Mod. polyethylene
- Acc. to UL94 V2 self-extinguishing
- In conformity with IEC EN 61386
Crush resistance: > 100 N
- In conformity with IEC EN 61386
Cycles: > 2500 ~



Type	Order No.	Colour	A Ø mm	B Ø mm	R stat. mm	Weight kg/100m	Pack m
Narrow corrugation							
EWS/F-M20/P16S	83101814	RAL 7035	16.50	20.80	55.00	5.4	25
EWS/F-M25/P21S	83101816	RAL 7035	22.70	28.10	65.00	6.0	25
EWS/F-M32/P29S	83101818	RAL 7035	28.40	33.80	75.00	10.0	25
EWS/F-M40/P36S	83101820	RAL 7035	36.20	42.30	85.00	11.0	25
EWS/F-M50/P48S	83101822	RAL 7035	47.80	53.70	95.00	14.5	25

Type EW-PP



PRODUCT INFORMATION

The self-extinguishing EW-PP cable protection conduits are made of specially modified polypropylene. The material is phosphor and cadmium-free.

The EW-PP cable protection conduits are characterised by outstanding chemical resistance, good crush and impact resistance. For static and dynamic applications involving medium to high mechanical loads.

Applications:

- Plant engineering
- Mechanical engineering
- Chemical plants

SPECIFICATIONS

- 40 – 130 °C short term 150 °C
- Mod. Polypropylene
- Acc. to UL94 V2 self-extinguishing
- In conformity with IEC EN 61386
Crush resistance: > 900 N
- In conformity with IEC EN 61386
Cycles: > 3100000 ~



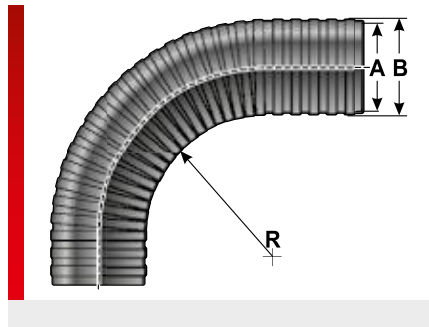
Type	Order No.	Colour	A Ø mm	B Ø mm	R stat. mm	R dyn. mm	Weight kg/100m	Pack m
Standard corrugation								
EW-PP-M10/P7	83201050	Black	8.20	11.50	21.00	70.00	1.8	50
EW-PP-M12/P9	83201052	Black	9.60	12.80	26.00	80.00	2.4	50
EW-PP-M16/P11	83201054	Black	11.90	15.70	33.00	100.00	3.5	50
EW-PP-M20/P16	83201056	Black	15.60	21.00	46.00	180.00	5.0	50
EW-PP-M25/P21	83201058	Black	22.50	28.30	59.00	230.00	9.3	50
EW-PP-M32/P29	83201060	Black	27.80	34.30	72.00	280.00	11.0	25
EW-PP-M40/P36	83201062	Black	34.70	42.20	86.00	310.00	15.8	25
EW-PP-M50/P48	83201064	Black	46.70	54.00	107.00	350.00	20.5	25
EW-PP 56	83201067	Black	56.20	67.80	140.00	480.00	38.5	25
EW-PP-70 Jumbo	83201066	Black	67.80	79.80	160.00	600.00	40.0	25
EW-PP-95 Jumbo	83201068	Black	89.60	106.30	200.00	800.00	67.0	10
Grey								
EW-PP-M10/P7 ¹⁾	83201010	Grey	8.20	11.50	21.00	70.00	1.3	50
EW-PP-M12/P9	83201012	Grey	9.60	12.80	26.00	80.00	2.4	50
EW-PP-M16/P11	83201014	Grey	11.90	15.70	33.00	100.00	3.5	50
EW-PP-M20/P16	83201016	Grey	15.60	21.00	46.00	180.00	5.2	50
EW-PP-M25/P21	83201018	Grey	21.60	28.30	59.00	230.00	9.3	50
EW-PP-M32/P29	83201020	Grey	27.80	34.30	72.00	280.00	11.0	25
EW-PP-M40/P36	83201022	Grey	34.70	42.20	86.00	310.00	16.0	25
EW-PP-M50/P48	83201024	Grey	46.70	54.00	107.00	350.00	20.5	25
EW-PP-70 Jumbo ¹⁾	83201026	Grey	67.80	79.80	160.00	600.00	41.0	25
EW-PP-95 Jumbo	83201028	Grey	89.60	106.30	200.00	800.00	67.0	10

Type EW-PP (Continued...)

Type	Order No.	Colour	A Ø mm	B Ø mm	R stat. mm	R dyn. mm	Weight kg/100m	Pack m
Narrow corrugation								
EW-PP-M20/P16S	83201057	Black	16.40	20.90	41.00	170.00	5.6	50

¹⁾No stock goods, delivery time and minimum order quantities upon request

Type EWL-PP



PRODUCT INFORMATION

The self-extinguishing EWL-PP cable protection conduits are made of specially modified polypropylene. The material is phosphor and cadmium-free.

The EWL-PP cable protection conduits are characterised by outstanding chemical resistance, good crush and impact resistance. For static and dynamic applications involving medium mechanical loads.

Applications:

- Plant engineering
- Mechanical engineering
- Chemical industry

SPECIFICATIONS

- 40 – 130 °C short term 150 °C
- Mod. Polypropylene
- Acc. to UL94 V2 self-extinguishing
- In conformity with IEC EN 61386
Crush resistance: > 700 N
- In conformity with IEC EN 61386
Cycles: > 300000 ~
- In conformity with IEC EN 61386
Tier: 3



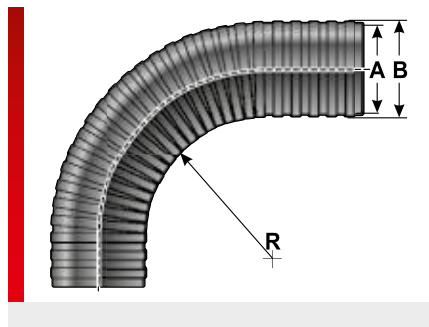
Type	Order No.	Colour	A Ø mm	B Ø mm	R stat. mm	Weight kg/100m	Pack m
Standard corrugation							
EWL-PP-06	83204052	Black	6.60	9.80	14.00	1.5	100
EWL-PP-M10/P07	83204054	Black	8.40	11.50	17.00	1.5	100
EWL-PP-M12/P09	83204056	Black	9.80	12.80	20.00	2.0	100
EWL-PP-M16/P11	83204058	Black	12.10	15.70	30.00	3.0	100
EWL-PP-M18/P13	83204060	Black	14.30	18.30	30.00	4.0	50
EWL-PP-M20/P16	83204062	Black	15.80	21.00	50.00	4.3	100
EWL-PP-19	83204064	Black	19.20	24.00	52.00	6.0	50
EWL-PP-M25/P21	83204066	Black	21.80	28.30	60.00	8.2	100
EWL-PP-26	83204076	Black	25.80	31.20	65.00	9.2	50
EWL-PP-M32/P29	83204068	Black	28.00	34.30	70.00	7.7	50
EWL-PP-M40/P36	83204070	Black	34.90	42.10	80.00	13.5	25
EWL-PP-M50/P48	83204072	Black	46.90	54.00	95.00	17.4	25
EWL-PP-M10/P07 ¹⁾	83204014	Grey	8.40	11.50	17.00	1.5	100
EWL-PP-M12/P09	83204016	Grey	9.80	12.80	20.00	1.6	100
EWL-PP-M16/P11 ¹⁾	83204018	Grey	12.10	15.70	30.00	2.0	100
EWL-PP-M20/P16	83204022	Grey	15.80	21.00	50.00	3.4	100
EWL-PP-M25/P21 ¹⁾	83204026	Grey	21.80	28.30	60.00	6.5	100
EWL-PP-M32/P29	83204028	Grey	28.00	34.30	70.00	8.6	50
EWL-PP-M40/P36 ¹⁾	83204030	Grey	34.90	42.20	80.00	12.5	25
EWL-PP-M50/P48	83204032	Grey	46.90	54.00	95.00	17.4	25

Type EWL-PP (Continued...)

Type	Order No.	Colour	A Ø mm	B Ø mm	R stat. mm	Weight kg/100m	Pack m
Narrow corrugation							
EWL-PP-M16/P11S	83204059	Black	12.80	15.70	25.00	2.8	100
EWL-PP-M20/P16S	83204063	Black	16.60	20.90	45.00	4.8	100
EWL-PP-M25/P21S	83204067	Black	22.70	28.30	55.00	6.5	100
EWL-PP-M32/P29S	83204069	Black	29.00	34.30	65.00	7.9	50
EWL-PP-M40/P36S	83204071	Black	35.90	42.10	75.00	13.5	25
EWL-PP-M50/P48S	83204073	Black	47.10	54.00	90.00	16.0	25

¹⁾No stock goods, delivery time and minimum order quantities upon request

Type EWX-PP (high corrugation)



PRODUCT INFORMATION

The self-extinguishing EWX-PP cable protection conduits are made of specially modified polypropylene. The material is phosphor and cadmium-free.

The EWX-PP cable protection conduits are characterised by outstanding chemical resistance, good crush and impact resistance. For static and dynamic applications involving medium to high mechanical loads.

Applications:

- Plant engineering
- Mechanical engineering
- Chemical plants

SPECIFICATIONS

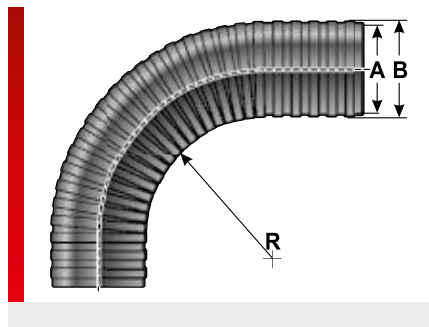
- 40 – 130 °C short term 150 °C
- Mod. Polypropylene
- Acc. to UL94 V2 self-extinguishing
- In conformity with IEC EN 61386
Crush resistance: > 1500 N
- In conformity with IEC EN 61386
Cycles: > 2000000 ~
- In conformity with IEC EN 61386
Tier: 3



Type	Order No.	Colour	A Ø mm	B Ø mm	R stat. mm	R dyn. mm	Weight kg/100m	Pack m
High corrugation								
EWX-PP-M25/P21 ¹⁾	83202858	Black	18.30	28.00	50.00	110.00	9.0	50
EWX-PP-M32/P29 ¹⁾	83202860	Black	22.60	34.20	60.00	120.00	12.2	25
EWX-PP-M40/P36	83202862	Black	28.40	42.00	70.00	150.00	14.0	25
EWX-PP-M50/P48 ¹⁾	83202864	Black	37.00	53.80	90.00	170.00	22.5	25
EWX-PP-56 Jumbo ¹⁾	83202866	Black	52.30	67.60	95.00	220.00	40.0	25
EWX-PP-70 Jumbo ¹⁾	83202868	Black	63.90	80.50	115.00	235.00	55.0	25
EWX-PP-95 Jumbo ¹⁾	83202870	Black	88.00	105.80	220.00	670.00	70.0	10

¹⁾No stock goods, delivery time and minimum order quantities upon request

Type EW-PA



PRODUCT INFORMATION

The EW-PA cable protection conduits are made of specially modified polyamide 6. The material is halogen, phosphor and cadmium-free. The conduits are for universal use in both mechanical and plant engineering and vehicle engineering.

The EW-PA cable protection conduits feature the following advantages:

- High crush resistance
- Good flexibility
- Medium to high loads in static applications

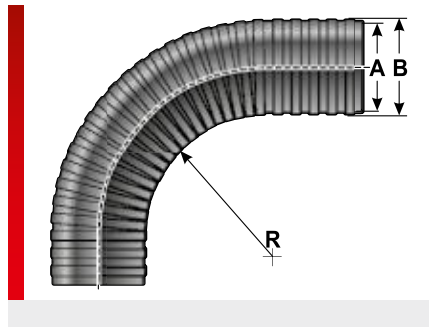
SPECIFICATIONS

- 40 – 120 °C short term 160 °C
- Mod. polyamide PA 6
- Acc. to UL94 HB
- In conformity with IEC EN 61386
Crush resistance: > 800 N
- In conformity with IEC EN 61386
Cycles: > 24000 ~
- In conformity with IEC EN 61386
System tear-out strength: > 350 N



Type	Order No.	Colour	A Ø mm	B Ø mm	R stat. mm	Weight kg/100m	Pack m
Standard corrugation							
EW-PA-4,5	83161051	Black	5.00	7.10	20.00	1.8	100
EW-PA-06	83161050	Black	6.50	9.90	21.00	2.2	50
EW-PA-M10/P7	83161052	Black	8.50	11.60	24.00	2.5	50
EW-PA-M12/P9	83161054	Black	9.60	12.90	26.00	2.8	50
EW-PA-M12/P09 ¹⁾	83988294	Black	9.60	12.90	26.00	2.8	3000
EW-PA-M16/P11	83161056	Black	11.90	15.70	38.00	3.8	50
EW-PA-M16/P11 ¹⁾	83988293	Black	11.90	15.70	38.00	3.8	2300
EW-PA-M20/P16	83161060	Black	15.50	21.00	55.00	5.8	50
EW-PA-M20/P16 ¹⁾	83988292	Black	15.50	21.00	55.00	5.8	1100
EW-PA-M25/P21	83161064	Black	21.80	28.50	64.00	9.0	50
EW-PA-M25/P21 ¹⁾	83988291	Black	21.80	28.50	64.00	9.0	700
EW-PA-M32/P29	83161072	Black	27.80	34.60	72.00	13.5	25
EW-PA-M32/P29 ¹⁾	83988290	Black	27.80	34.60	72.00	13.5	400
EW-PA-M40/P36 ²⁾	83161076	Black	34.90	42.30	81.00	15.0	25
EW-PA-M50/P48	83161078	Black	46.90	54.30	97.00	22.0	25
EW-PA-56 Jumbo	83161081	Black	56.00	67.60	115.00	38.5	25
EW-PA-70 Jumbo	83161082	Black	67.40	79.70	160.00	46.0	25
EW-PA-95 Jumbo	83161086	Black	89.70	106.30	200.00	80.0	10
EW-PA-06	83161010	Grey	6.50	9.90	21.00	2.2	50
EW-PA-M10/P7	83161012	Grey	8.50	11.60	24.00	2.5	50
EW-PA-M12/P9	83161014	Grey	9.60	12.90	26.00	2.8	50

Type EW-PA (Continued...)



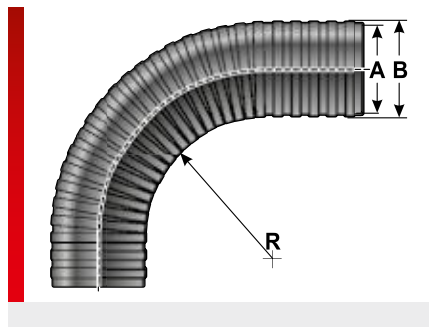
Type	Order No.	Colour	A Ø mm	B Ø mm	R stat. mm	Weight kg/100m	Pack m
EW-PA-M16/P11	83161016	Grey	11.90	15.70	38.00	3.8	50
EW-PA-M20/P16	83161018	Grey	15.50	21.00	55.00	5.8	50
EW-PA-M25/P21	83161022	Grey	21.80	28.50	64.00	9.0	50
EW-PA-M32/P29	83161026	Grey	27.80	34.60	72.00	13.5	25
EW-PA-M40/P36 ²⁾	83161028	Grey	34.90	42.30	81.00	15.0	25
EW-PA-M50/P48	83161030	Grey	46.90	54.30	97.00	22.0	25
EW-PA-56 Jumbo ³⁾	83161031	Grey	56.00	67.60	115.00	38.5	25
EW-PA-70 Jumbo	83161032	Grey	67.40	79.70	160.00	46.0	25
EW-PA-95 Jumbo ³⁾	83161034	Grey	89.70	106.30	200.00	80.0	10
Narrow corrugation							
EW-PA-M20/P16S	83162062	Black	16.60	21.00	50.00	6.3	50
EW-PA-M25/P21S	83162064	Black	22.80	28.30	59.00	9.0	50
EW-PA-M32/P29S	83162072	Black	28.40	34.40	67.00	13.5	25
EW-PA-M40/P36S	83162076	Black	36.00	42.00	76.00	15.0	25
EW-PA-M50/P48S	83162080	Black	47.30	54.20	92.00	22.0	25
EW-PA-M20/P16S	83162020	Grey	16.60	21.00	50.00	6.3	50
EW-PA-M25/P21S	83162022	Grey	22.80	28.30	59.00	9.0	50
EW-PA-M32/P29S	83162026	Grey	28.40	34.40	67.00	13.5	25
EW-PA-M40/P36S	83162030	Grey	36.00	42.00	76.00	15.0	25
EW-PA-M50/P48S	83162034	Grey	47.30	54.20	92.00	22.0	25

¹⁾ One piece corrugated conduit in the Octabin container

²⁾ With CSA approval

³⁾ No stock goods, delivery time and minimum order quantities upon request

Type EWL-PA



PRODUCT INFORMATION

The EWL-PA cable protection conduits are made of specially modified polyamide 6. The material is halogen, phosphor and cadmium-free.

The affordable EWL-PA cable protection conduits are characterised by their good crush and impact resistance.

For static applications involving low to medium mechanical loads.

Applications:

- Plant engineering
- Mechanical engineering
- Vehicle engineering

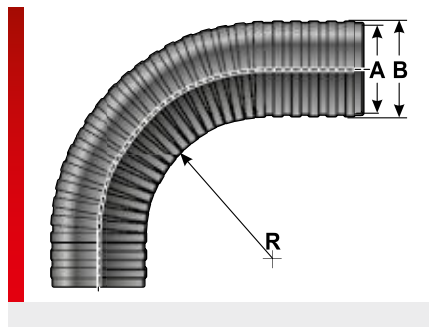
SPECIFICATIONS

- 40 – 120 °C short term 160 °C
- Mod. polyamide PA 6
- Acc. to UL94 HB
- In conformity with IEC EN 61386
Crush resistance: > 600 N
- In conformity with IEC EN 61386
Cycles: > 16000 ~
- In conformity with IEC EN 61386
System tear-out strength: > 350 N



Type	Order No.	Colour	A Ø mm	B Ø mm	R stat. mm	Weight kg/100m	Pack m
Standard corrugation							
EWL-PA-M10/P07	83164054	Black	8.60	11.60	17.00	2.1	100
EWL-PA-M12/P09	83164056	Black	9.80	12.90	20.00	2.4	100
EWL-PA-M16/P11	83164058	Black	12.10	15.70	25.00	3.3	100
EWL-PA-M20/P16	83164062	Black	15.80	21.00	50.00	5.0	100
EWL-PA-M25/P21	83164066	Black	22.00	28.00	60.00	8.2	100
EWL-PA-M32/P29	83164068	Black	28.00	34.60	70.00	12.0	50
EWL-PA-M40/P36	83164070	Black	35.10	42.30	80.00	12.8	25
EWL-PA-M50/P48	83164072	Black	47.20	54.30	95.00	19.0	25
Grey							
EWL-PA-M10/P07	83164014	Grey	8.60	11.60	17.00	2.1	100
EWL-PA-M12/P09	83164016	Grey	9.80	12.90	20.00	2.4	100
EWL-PA-M16/P11	83164018	Grey	12.10	15.70	25.00	3.3	100
EWL-PA-M20/P16	83164022	Grey	15.80	21.00	50.00	5.0	100
EWL-PA-M25/P21	83164026	Grey	22.00	28.50	60.00	8.2	100
EWL-PA-M32/P29	83164028	Grey	28.00	34.60	70.00	12.0	50
EWL-PA-M40/P36	83164030	Grey	35.10	42.30	80.00	12.8	25
EWL-PA-M50/P48	83164032	Grey	47.20	54.30	95.00	19.0	25
Narrow corrugation							
EWL-PA-06S ¹⁾	83164053	Black	6.70	10.00	13.00	1.8	100
EWL-PA-M16/P11S	83164060	Black	12.80	15.90	25.00	3.3	100
EWL-PA-M20/P16S	83164081	Black	16.80	21.00	45.00	5.0	100

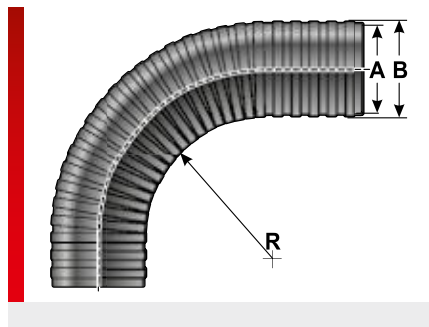
Type EWL-PA (Continued...)



Type	Order No.	Colour	A Ø mm	B Ø mm	R stat. mm	Weight kg/100m	Pack m
EWL-PA-M25/P21S	83164082	Black	23.00	28.30	50.00	8.2	100
EWL-PA-M32/P29S	83164067	Black	28.60	34.40	60.00	12.0	50
EWL-PA-M40/P36S	83164069	Black	36.20	42.00	75.00	14.0	25
EWL-PA-M50/P48S	83164071	Black	47.50	54.20	90.00	19.0	25
EWL-PA-M20/P16S	83164021	Grey	16.80	21.00	45.00	5.0	100
EWL-PA-M25/P21S	83164025	Grey	23.00	28.30	50.00	8.2	100
EWL-PA-M32/P29S	83164027	Grey	28.60	34.40	60.00	12.0	50
EWL-PA-M40/P36S	83164029	Grey	36.20	42.00	75.00	12.8	25
EWL-PA-M50/P48S	83164031	Grey	47.50	54.20	90.00	19.0	25

¹⁾ No stock goods, delivery time and minimum order quantities upon request

Type EWX-PA (high corrugation)



PRODUCT INFORMATION

The EWX-PA cable protection conduits are made of specially modified polyamide 6. The material is halogen, phosphor and cadmium-free. The conduits are for universal use in both mechanical and plant engineering and vehicle engineering.

The EWX-PA cable protection conduits feature the following advantages:

- High crush resistance
- Good flexibility
- Less wear
- High to extreme loads in static applications

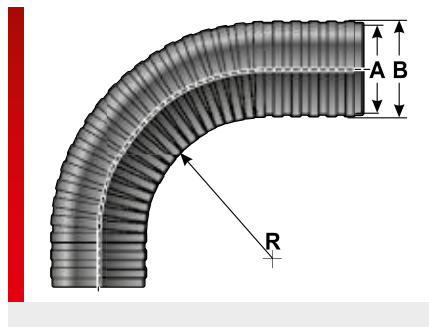
SPECIFICATIONS

- 40 – 120 °C short term 160 °C
- Mod. polyamide PA 6
- Acc. to UL94 HB
- In conformity with IEC EN 61386
Crush resistance: > 1600 N
- In conformity with IEC EN 61386
Cycles: > 13000 ~
- In conformity with IEC EN 61386
System tear-out strength: > 150 N



Type	Order No.	Colour	A Ø mm	B Ø mm	R stat. mm	Weight kg/100m	Pack m
High corrugation							
EWX-PA-M25/P21	83162858	Black	18.50	28.20	49.00	10.5	50
EWX-PA-M32/P29	83162860	Black	22.90	34.50	57.00	12.7	25
EWX-PA-M40/P36	83162862	Black	28.70	42.70	71.00	20.5	25
EWX-PA-M50/P48	83162864	Black	36.60	53.90	87.00	23.0	25

Type EW-PAB



PRODUCT INFORMATION

The EW-PAB cable protection conduits are made of specially modified polyamide 6. The material is halogen, phosphor and cadmium-free.

The EW-PAB cable protection conduits feature excellent crush resistance, self-extinguish extremely well and produce very low levels of smoke gas.

For static applications involving medium to high mechanical loads.

Applications:

- Building technologies
- Mechanical engineering
- Plant engineering

Specification:

- GOST R 53313-2009

SPECIFICATIONS

- 40 – 120 °C short term 160 °C
- Mod. polyamide PA 6
- Acc. to UL94 V0 self-extinguishing S4
- In conformity with IEC EN 61386
Crush resistance: > 1100 N
- In conformity with IEC EN 61386
Cycles: > 1200 ~
- In conformity with IEC EN 61386
Tier: 4
- In conformity with IEC EN 61386
System tear-out strength: > 540 N



Type	Order No.	Colour	A Ø mm	B Ø mm	R stat. mm	Weight kg/100m	Pack m
Standard corrugation							
EW-PAB-06	83162250	Black	6.60	9.90	23.00	2.1	50
EW-PAB-M12/P9	83162254	Black	9.60	12.90	26.00	2.6	50
EW-PAB-M16/P11	83162256	Black	11.90	15.70	38.00	3.4	50
EW-PAB-M20/P16	83162258	Black	15.50	21.00	56.00	6.3	50
EW-PAB-M25/P21	83162262	Black	21.70	28.50	64.00	9.6	50
EW-PAB-M32/P29	83162266	Black	27.80	34.60	77.00	12.5	25
EW-PAB-M40/P36 ¹⁾	83162268	Black	35.20	42.60	91.00	15.0	25
EW-PAB-M50/P48	83162270	Black	46.80	54.30	117.00	20.0	25
EW-PAB-70 Jumbo	83162278	Black	67.00	80.00	200.00	46.0	25
EW-PAB-95 Jumbo ²⁾	83162282	Black	89.50	106.00	265.00	88.0	10
EW-PAB-M12/P9	83162214	Grey	9.80	13.00	26.00	2.8	50
EW-PAB-M16/P11	83162216	Grey	12.00	15.80	38.00	3.4	50
EW-PAB-M25/P21	83162222	Grey	22.40	28.50	64.00	9.6	50
EW-PAB-M32/P29	83162226	Grey	28.50	34.50	77.00	12.5	25
EW-PAB-M40/P36 ¹⁾	83162228	Grey	36.00	42.50	91.00	15.5	25
EW-PAB-M50/P48	83162230	Grey	46.50	54.40	117.00	20.0	25
EW-PAB-70 Jumbo	83162238	Grey	67.50	80.00	200.00	46.0	25
EW-PAB-95 Jumbo ²⁾	83162242	Grey	91.50	106.00	265.00	80.0	10

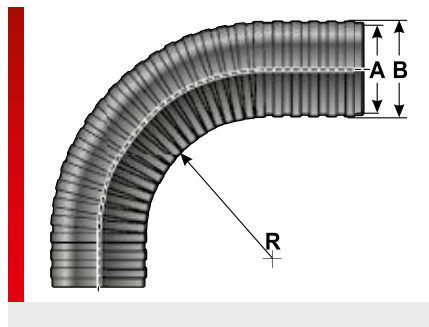
Type EW-PAB (Continued...)

Type	Order No.	Colour	A Ø mm	B Ø mm	R stat. mm	Weight kg/100m	Pack m
Narrow corrugation							
EW-PAB-M20/P16S	83162260	Black	16.60	21.00	56.00	6.3	50
EW-PAB-M25/P21S	83162462	Black	22.80	28.30	64.00	8.7	50
EW-PAB-M32/P29S	83162466	Black	28.40	34.40	77.00	12.5	25
EW-PAB-M20/P16S	83162220	Grey	16.80	21.00	56.00	6.6	50
EW-PAB-M25/P21S ²⁾	83162422	Grey	23.00	28.50	64.00	8.8	50
EW-PAB-M32/P29S ²⁾	83162426	Grey	28.90	34.50	77.00	14.0	25

¹⁾ With CSA approval

²⁾ No stock goods, delivery time and minimum order quantities upon request

Type EWL-PAB



PRODUCT INFORMATION

The EWL-PAB cable protection conduits are made of specially modified polyamide 6. The material is halogen, phosphor and cadmium-free.

The affordable EWL-PAB cable protection conduits are characterised by their excellent self-extinguishing properties and high crush and impact resistance.

For static applications involving low to medium mechanical loads.

Applications:

- Plant engineering
- Mechanical engineering
- Vehicle engineering

SPECIFICATIONS

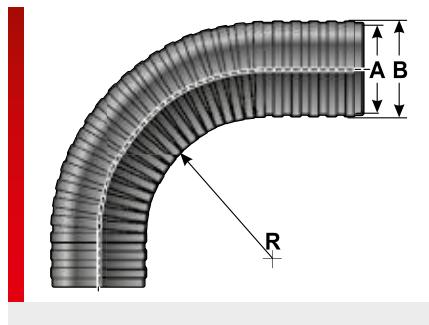
- 40 – 120 °C short term 160 °C
- Mod. polyamide PA 6
- Acc. to UL94 V2 self-extinguishing
- In conformity with IEC EN 61386
Crush resistance: > 1100 N
- In conformity with IEC EN 61386
Cycles: > 500 ~
- In conformity with IEC EN 61386
Tier: 4
- In conformity with IEC EN 61386
System tear-out strength: > 540 N



Type	Order No.	Colour	A Ø mm	B Ø mm	R stat. mm	Weight kg/100m	Pack m
Standard corrugation							
EWL-PAB-M16/P11	83164158	Black	12.00	15.70	25.00	2.65	100
EWL-PAB-M20/P16	83164162	Black	15.80	21.00	50.00	5.4	100
EWL-PAB-M25/P21 ¹⁾	83164166	Black	21.90	28.50	55.00	7.0	100
EWL-PAB-M32/P29	83164168	Black	28.00	34.60	70.00	10.8	50
EWL-PAB-M40/P36	83164170	Black	35.40	42.60	80.00	12.8	25
Narrow corrugation							
EWL-PAB-M20/P16S ¹⁾	83164164	Black	16.80	21.00	45.00	5.4	100
EWL-PAB-M25/P21S ¹⁾	83164167	Black	23.00	28.30	50.00	7.4	100
EWL-PAB-M32/P29S ¹⁾	83164169	Black	28.60	34.40	60.00	10.6	50
EWL-PAB-M40/P36S ¹⁾	83164171	Black	36.70	42.00	75.00	12.8	25
EWL-PAB-M50/P48S ¹⁾	83164173	Black	47.40	54.20	90.00	17.0	25

¹⁾No stock goods, delivery time and minimum order quantities upon request

Type EW-PAT



PRODUCT INFORMATION

The EW-PAT cable protection conduits are made of specially modified polyamide 6. The material is halogen, phosphor and cadmium-free.

The EW-PAT cable protection conduits feature excellent crush resistance, self-extinguish very well and produce very low levels of smoke gas.

For static applications involving medium to high mechanical loads.

This product's excellent fire safety properties make it suitable for use in both rail transport systems and exposed layouts in building service applications.

Specification:

- EN 45545-2 3x HL3
- GOST R 53313-2009

SPECIFICATIONS

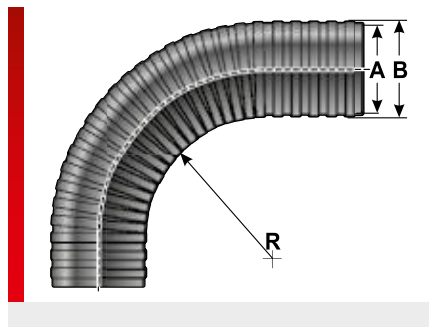
- 40 – 120 °C short term 180 °C
- Mod. polyamide PA 6
- Acc. to UL94 V2 self-extinguishing S4
- In conformity with IEC EN 61386
Crush resistance: > 1400 N
- In conformity with IEC EN 61386
Cycles: > 1200 ~
- In conformity with IEC EN 61386
Tier: 3
- In conformity with IEC EN 61386
System tear-out strength: > 500 N



Type	Order No.	Colour	A Ø mm	B Ø mm	R stat. mm	Weight kg/100m	Pack m
EW-PAT-06 ¹⁾	83165050	Black	6.50	10.00	20.00	2.2	50
EW-PAT-M10/P7	83165051	Black	8.30	11.60	24.00	2.4	50
EW-PAT-M12/P9	83165052	Black	9.90	13.00	26.00	3.0	50
EW-PAT-M16/P11	83165054	Black	12.00	16.00	38.00	3.8	50
EW-PAT-M20/P16	83165056	Black	15.50	21.00	56.00	7.0	50
EW-PAT-M25/P21	83165058	Black	21.80	28.40	64.00	10.5	50
EW-PAT-M32/P29	83165060	Black	27.80	34.70	77.00	13.5	25
EW-PAT-M40/P36	83165062	Black	35.60	42.80	91.00	16.0	25
EW-PAT-M50/P48	83165064	Black	46.70	54.30	117.00	22.0	25

¹⁾ No stock goods, delivery time and minimum order quantities upon request

Type EWL-PAT



PRODUCT INFORMATION

The EWL-PAT cable protection conduits are made of specially modified polyamide 6. The material is halogen, phosphor and cadmium-free.

The EWL-PAT cable protection conduits feature good crush resistance, self-extinguish well and produce very low levels of smoke gas.

For static applications involving light to medium mechanical loads.

This product's excellent fire safety properties make it suitable for use in both rail transport systems and exposed layouts in building service applications.

- Specification:
- EN 45545-2 3x HL3

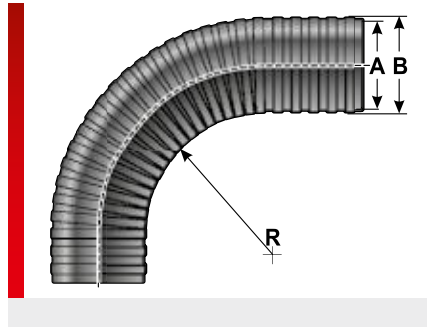
SPECIFICATIONS

- 40 – 120 °C short term 180 °C
- Mod. polyamide PA 6
- Acc. to UL94 V2 self-extinguishing
- In conformity with IEC EN 61386
Crush resistance: > 1000 N
- In conformity with IEC EN 61386
Cycles: > 1200 ~
- In conformity with IEC EN 61386
Tier: 3
- In conformity with IEC EN 61386
System tear-out strength: > 500 N



Type	Order No.	Colour	A Ø mm	B Ø mm	R stat. mm	Weight kg/100m	Pack m
Standard corrugation							
EWL-PAT-M12/P9	83155252	Black	10.10	13.00	26.00	2.3	50
EWL-PAT-M16/P11	83155254	Black	12.20	16.00	38.00	3.1	50
EWL-PAT-M20/P16	83155256	Black	15.50	21.00	56.00	5.6	50
EWL-PAT-M25/P21	83155258	Black	22.00	28.40	64.00	8.6	50
EWL-PAT-M32/P29	83155260	Black	28.00	34.70	77.00	11.2	25
EWL-PAT-M40/P36	83155262	Black	35.80	42.80	91.00	13.6	25
EWL-PAT-M50/P48	83155264	Black	46.90	54.30	117.00	19.0	25

Type EW-PA-UL



PRODUCT INFORMATION

The EW-PA-UL cable protection conduits are made of specially modified polyamide 6. The material is halogen, phosphor and cadmium-free.

The EW-PA-UL cable protection conduits feature very high crush resistance, self-extinguish extremely well and produce very low levels of smoke gas.

For static applications involving high mechanical loads.

Applications:

- Plant engineering
- Mechanical engineering
- Mining
- Vehicle engineering

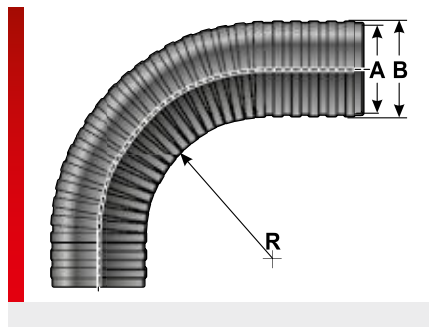
SPECIFICATIONS

- 40 – 120 °C short term 160 °C
- Mod. polyamide PA 6
- Acc. to UL94 V0 self-extinguishing
- In conformity with IEC EN 61386
Crush resistance: > 1700 N
- In conformity with IEC EN 61386
Cycles: > 1300 ~
- In conformity with IEC EN 61386
Tier: 3
- In conformity with IEC EN 61386
System tear-out strength: > 700 N



Type	Order No.	Colour	A Ø mm	B Ø mm	R stat. mm	Weight kg/100m	Pack m
Standard corrugation							
EW-PA-UL-06	83161250	Black	6.40	9.90	23.00	2.4	50
EW-PA-UL-M10/P7	83161252	Black	8.30	11.60	26.00	2.7	50
EW-PA-UL-M12/P9	83161254	Black	9.40	12.90	36.00	3.6	50
EW-PA-UL-M16/P11	83161256	Black	11.70	15.70	48.00	4.7	50
EW-PA-UL-M20/P16	83161258	Black	15.30	21.00	55.00	8.0	50
EW-PA-UL-M25/P21	83161262	Black	21.50	28.50	65.00	14.0	50
EW-PA-UL-M32/P29	83161264	Black	27.50	34.60	77.00	17.0	25
EW-PA-UL-M40/P36 ¹⁾	83161266	Black	34.90	42.60	96.00	22.5	25
EW-PA-UL-M50/P48	83161268	Black	46.60	54.30	112.00	30.0	25
EW-PA-UL 70 Jumbo	83161280	Black	66.60	80.00	160.00	60.0	25
EW-PA-UL-06 ²⁾	83161210	Grey	6.40	9.90	23.00	2.3	50
EW-PA-UL-M10/P7	83161212	Grey	8.30	11.60	26.00	2.7	50
EW-PA-UL-M12/P9	83161214	Grey	9.40	12.90	36.00	3.5	50
EW-PA-UL-M16/P11	83161216	Grey	11.70	15.70	48.00	4.7	50
EW-PA-UL-M20/P16	83161218	Grey	15.30	21.00	55.00	7.5	50
EW-PA-UL-M25/P21	83161222	Grey	21.50	28.50	65.00	14.0	50
EW-PA-UL-M32/P29	83161224	Grey	27.50	34.60	77.00	18.0	25
EW-PA-UL-M40/P36 ¹⁾	83161226	Grey	34.90	42.60	96.00	24.0	25

Type EW-PA-UL (Continued...)

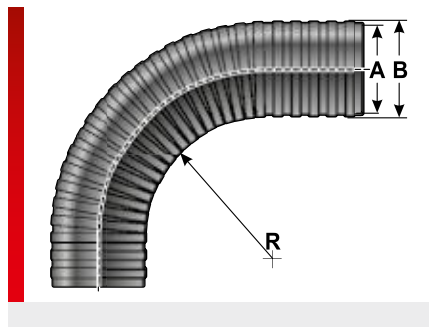


Type	Order No.	Colour	A Ø mm	B Ø mm	R stat. mm	Weight kg/100m	Pack m
EW-PA-UL-M50/P48	83161228	Grey	46.60	54.30	112.00	30.0	25
Narrow corrugation							
EW-PA-UL-M20/P16S	83161260	Black	16.40	21.00	58.00	9.4	50
EW-PA-UL-M20/P16S ²⁾	83161220	Grey	16.40	21.00	58.00	9.4	50
EW-PA-UL-M25/P21S ²⁾	83163222	Grey	22.60	28.30	65.00	14.0	50

¹⁾ With CSA approval

²⁾ No stock goods, delivery time and minimum order quantities upon request

Type EWX-PA-UL (high corrugation)



PRODUCT INFORMATION

The EWX-PA-UL cable protection conduits are made of specially modified polyamide 6. The material is halogen, phosphor and cadmium-free.

The EWX-PA-UL cable protection conduits are characterised by extremely high mechanical strength, but at the same time offering excellent flexibility. With their extremely high angle consistency, the conduits are suitable for use where cables require extreme

mechanical protection. A real alternative to expensively installed metal conduits.

Applications:

- Plant engineering
- Mechanical engineering
- Mining
- Vehicle engineering

SPECIFICATIONS

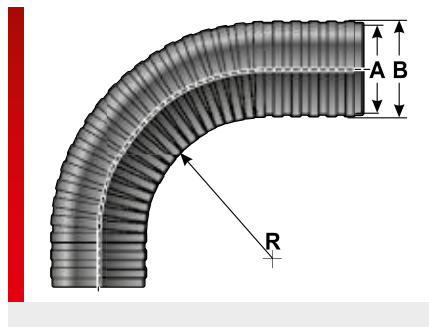
- 40 – 120 °C short term 160 °C
- Mod. polyamide PA 6
- Acc. to UL94 V0 self-extinguishing
- In conformity with IEC EN 61386
Crush resistance: > 2200 N
- In conformity with IEC EN 61386
Tier: 3



Type	Order No.	Colour	A Ø mm	B Ø mm	R stat. mm	Weight kg/100m	Pack m
High corrugation							
EWX-PA-UL-M25/P21	83163458	Black	18.20	28.20	49.00	10.0	50
EWX-PA-UL-M32/P29 ¹⁾	83163460	Black	22.30	34.20	57.00	13.0	25
EWX-PA-UL-M40/P36	83163462	Black	28.60	42.40	71.00	16.0	25
EWX-PA-UL-M50/P48 ¹⁾	83163464	Black	36.80	53.30	87.00	26.0	25

¹⁾ No stock goods, delivery time and minimum order quantities upon request

Type EW-PRF



PRODUCT INFORMATION

The EW-PRF cable protection conduits are made of specially modified polyamide 12. The material is halogen, phosphor and cadmium-free.

The conduits are suitable for dynamic applications involving medium to high mechanical loads. The EW-PRF cable protection conduits are used both in the robotics engineering as well as in the aviation industry.

They feature the following advantages:

- High flexibility
- Excellent impact strength
- Excellent self-extinguishing properties
- Very low levels of smoke gas

SPECIFICATIONS

- 40 – 105 °C short term 150 °C
- Mod. polyamide PA 12
- Acc. to UL94 V2 self-extinguishing
- In conformity with IEC EN 61386
Crush resistance: > 1100 N
- In conformity with IEC EN 61386
Cycles: > 16000 ~
- In conformity with IEC EN 61386
Tier: 4
- In conformity with IEC EN 61386
System tear-out strength: > 520 N



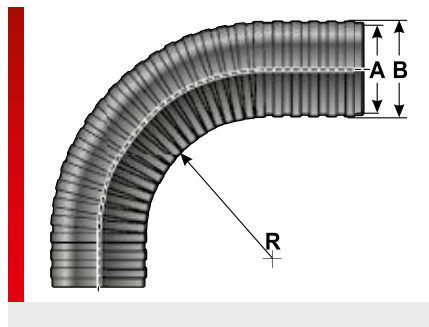
Type	Order No.	Colour	A Ø mm	B Ø mm	R stat. mm	R dyn. mm	Weight kg/100m	Pack m
Standard corrugation								
EW-PRF-M10/P7	83181252	Black	8.50	11.60	21.00	46.00	2.0	50
EW-PRF-M12/P9	83181254	Black	9.80	13.00	22.00	51.00	2.5	50
EW-PRF-M16/P11	83181256	Black	11.80	15.90	28.00	68.00	3.6	50
EW-PRF-M20/P16	83181258	Black	15.60	21.10	38.00	95.00	5.5	50
EW-PRF-M25/P21	83181262	Black	21.60	28.50	49.00	109.00	10.0	50
EW-PRF-M32/P29	83181264	Black	28.00	34.50	67.00	142.00	12.0	25
EW-PRF-M40/P36	83181266	Black	35.00	42.50	81.00	191.00	17.0	25
EW-PRF-M50/P48	83181268	Black	47.00	54.30	102.00	237.00	23.0	25
EW-PRF-70 Jumbo	83181272	Black	68.40	80.00	200.00	390.00	44.0	25
EW-PRF-95 Jumbo ¹⁾	83181274	Black	89.40	106.10	265.00	500.00	80.5	10
EW-PRF-M10/P7	83181212	Grey	8.50	11.60	21.00	46.00	2.1	50
EW-PRF-M12/P9 ¹⁾	83181214	Grey	9.80	13.00	22.00	51.00	2.5	50
EW-PRF-M16/P11 ¹⁾	83181216	Grey	11.80	15.90	28.00	68.00	3.6	50
EW-PRF-M20/P16 ¹⁾	83181218	Grey	15.60	21.10	38.00	95.00	5.8	50
EW-PRF-M25/P21	83181222	Grey	21.60	28.50	49.00	109.00	9.5	50
EW-PRF-M32/P29	83181224	Grey	28.00	34.50	67.00	142.00	12.0	25
EW-PRF-M40/P36 ¹⁾	83181226	Grey	35.00	42.50	81.00	191.00	16.5	25
EW-PRF-M50/P48 ¹⁾	83181228	Grey	47.00	54.30	102.00	237.00	23.0	25
EW-PRF-70 Jumbo ¹⁾	83181232	Grey	68.40	80.00	200.00	390.00	48.0	25

Type EW-PRF (Continued...)

Type	Order No.	Colour	A Ø mm	B Ø mm	R stat. mm	R dyn. mm	Weight kg/100m	Pack m
EW-PRF-95 Jumbo ¹⁾	83181234	Grey	89.40	106.10	265.00	500.00	81.0	10
Narrow corrugation								
EW-PRF-M20/P16S	83181260	Black	16.70	21.10	35.00	90.00	5.6	50
EW-PRF-M25/P21S ¹⁾	83181462	Black	23.00	28.30	44.00	104.00	10.0	50
EW-PRF-M32/P29S	83181464	Black	28.50	34.30	62.00	132.00	14.0	25
EW-PRF-M20/P16S ¹⁾	83181220	Grey	16.70	21.10	35.00	90.00	5.6	50
EW-PRF-M25/P21S ¹⁾	83181422	Grey	23.00	28.30	44.00	104.00	9.5	50
EW-PRF-M32/P29S ¹⁾	83181424	Grey	28.50	34.30	62.00	132.00	14.0	25

¹⁾No stock goods, delivery time and minimum order quantities upon request

Type EW-PRT



PRODUCT INFORMATION

The EW-PRT cable protection conduits are made of specially modified polyamide 12. The material is halogen, phosphor and cadmium-free.

The EW-PRT cable protection conduits feature excellent crush resistance, self-extinguish very well and produce very low levels of smoke gas.

For static and dynamic applications involving medium to high mechanical loads.

This product's excellent fire safety properties make it suitable for use in both rail transport systems and exposed layouts in building service applications.

Specification

- EN 45545-2 3x HL3
- GOST R 53313-2009

SPECIFICATIONS

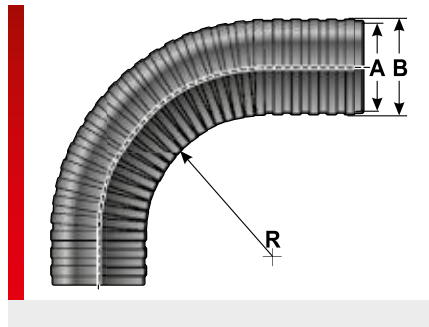
- 40 – 120 °C short term 140 °C
- Mod. polyamide PA 12
- Acc. to UL94 V2 self-extinguishing
- In conformity with IEC EN 61386
Crush resistance: > 600 N
- In conformity with IEC EN 61386
Cycles: > 700000 ~
- In conformity with IEC EN 61386
Tier: 4,5
- In conformity with IEC EN 61386
System tear-out strength: > 230 N



Type	Order No.	Colour	A Ø mm	B Ø mm	R stat. mm	R dyn. mm	Weight kg/100m	Pack m
Standard corrugation								
EW-PRT-06 ¹⁾	83181850	Black	6.70	10.00	20.00	68.00	2.0	50
EW-PRT-M10/P07	83181852	Black	8.40	11.60	22.00	75.00	2.8	50
EW-PRT-M12/P09	83181854	Black	9.60	12.90	26.00	85.00	3.0	50
EW-PRT-M16/P11	83181856	Black	11.90	15.80	38.00	105.00	3.8	50
EW-PRT-M20/P16	83181858	Black	15.40	21.00	52.00	185.00	6.0	50
EW-PRT-M25/P21	83181862	Black	21.60	28.40	64.00	235.00	9.9	50
EW-PRT-M32/P29	83181866	Black	27.60	34.40	77.00	285.00	13.5	25
EW-PRT-M40/P36	83181868	Black	35.00	42.50	91.00	315.00	17.0	25
EW-PRT-M50/P48	83181870	Black	46.80	54.30	112.00	355.00	22.5	25

¹⁾ No stock goods, delivery time and minimum order quantities upon request

Type EW-PAE



PRODUCT INFORMATION

The EW-PAE cable protection conduits are made of specially modified polyamide 12. The material is halogen, phosphor and cadmium-free.

The EW-PAE cable protection conduits are characterised by excellent flexibility, flexural fatigue strength and good crush resistance. For extremely dynamic applications involving medium mechanical loads.

Applications:

- Robotics
- Handling systems
- In cable drag chains

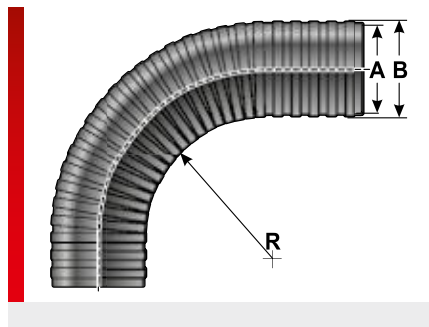
SPECIFICATIONS

- 40 – 120 °C short term 150 °C
- Mod. polyamide PA 12
- Acc. to UL94 HB
- In conformity with IEC EN 61386
Crush resistance: > 500 N
- In conformity with IEC EN 61386
Cycles: > 5000000 ~
- In conformity with IEC EN 61386
Tier: 4
- In conformity with IEC EN 61386
System tear-out strength: > 150 N



Type	Order No.	Colour	A Ø mm	B Ø mm	R stat. mm	R dyn. mm	Weight kg/100m	Pack m
Standard corrugation								
EW-PAE-06	83181650	Black	6.50	9.80	15.00	40.00	1.8	50
EW-PAE-M10/P7	83181652	Black	8.50	11.50	20.00	45.00	2.1	50
EW-PAE M12/P09, 200m	83988262	Black	9.60	12.80	21.00	51.00	2.8	200
EW-PAE-M12/P9	83181654	Black	9.60	12.80	21.00	51.00	2.8	50
EW-PAE-M16/P11	83181656	Black	11.90	15.60	28.00	68.00	3.8	50
EW-PAE-M20/P16	83181658	Black	15.50	20.80	36.00	70.00	5.8	50
EW-PAE M20/P16, 200m	83988263	Black	15.50	20.80	36.00	70.00	5.8	200
EW-PAE-M25/P21	83181660	Black	21.80	28.30	49.00	109.00	9.5	50
EW-PAE-M32/P29	83181662	Black	27.80	34.40	67.00	142.00	12.6	25
EW-PAE M32/P29, 200m	83988264	Black	27.80	34.40	67.00	142.00	12.6	200
EW-PAE-M40/P36	83181664	Black	34.90	42.00	81.00	191.00	17.0	25
EW-PAE-M50/P48	83181666	Black	47.00	54.00	102.00	237.00	22.8	25
EW-PAE-56 Jumbo	83181678	Black	56.00	67.30	110.00	310.00	40.0	25
EW-PAE-70 Jumbo	83181680	Black	67.40	79.00	200.00	390.00	48.0	25
EW-PAE-95 Jumbo	83181682	Black	89.70	105.00	265.00	500.00	83.0	10
EW-PAE-06 ¹⁾	83181610	Grey	6.50	9.80	15.00	40.00	2.0	50
EW-PAE-M10/P7	83181612	Grey	8.50	11.50	20.00	45.00	2.1	50
EW-PAE-M12/P9	83181614	Grey	9.60	12.80	21.00	51.00	2.6	50
EW-PAE-M16/P11	83181616	Grey	11.90	15.60	28.00	68.00	3.6	50

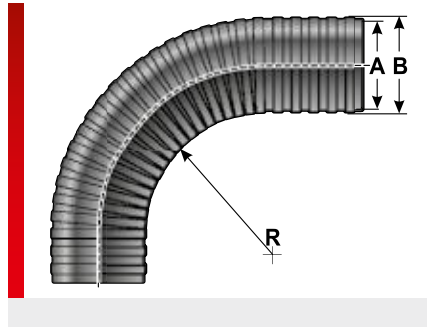
Type EW-PAE (Continued...)



Type	Order No.	Colour	A Ø mm	B Ø mm	R stat. mm	R dyn. mm	Weight kg/100m	Pack m
EW-PAE-M20/P16	83181618	Grey	15.50	20.80	36.00	70.00	5.8	50
EW-PAE-M25/P21	83181620	Grey	21.80	28.30	49.00	109.00	9.5	50
EW-PAE-M32/P29	83181622	Grey	27.80	34.40	67.00	142.00	12.6	25
EW-PAE-M40/P36	83181624	Grey	34.90	42.00	81.00	191.00	17.0	25
EW-PAE-M50/P48	83181626	Grey	47.00	54.00	102.00	237.00	22.8	25
EW-PAE-56 Jumbo ¹⁾	83181638	Grey	56.00	67.30	110.00	310.00	35.0	25
EW-PAE-70 Jumbo ¹⁾	83181640	Grey	67.40	79.30	200.00	390.00	56.0	25
EW-PAE-95 Jumbo ¹⁾	83181642	Grey	89.70	105.80	265.00	500.00	80.0	10

¹⁾ No stock goods, delivery time and minimum order quantities upon request

Type EWX-PAE (high corrugation)



PRODUCT INFORMATION

The EWX-PAE cable protection conduits are made of specially modified polyamide 12. The material is halogen, phosphor and cadmium-free.

With its excellent flexural fatigue strength, this product is ideal for robotics engineering and in the area of handling systems. For extremely dynamic applications involving medium to high mechanical loads.

The EWX-PAE cable protection conduits have a higher corrugation and feature the following advantages:

- Very good flexibility
- Excellent flexural fatigue strength
- Less wear
- Good crush resistance

SPECIFICATIONS

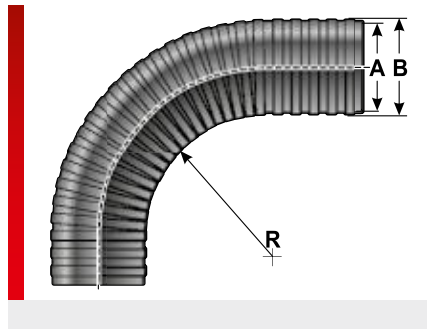
- 40 – 120 °C short term 150 °C
- Mod. polyamide PA 12
- Acc. to UL94 HB
- In conformity with IEC EN 61386
Crush resistance: > 1200 N
- In conformity with IEC EN 61386
Cycles: > 5000000 ~
- In conformity with IEC EN 61386
Tier: 4
- In conformity with IEC EN 61386
System tear-out strength: > 100 N



Type	Order No.	Colour	A Ø mm	B Ø mm	R stat. mm	R dyn. mm	Weight kg/100m	Pack m
High corrugation								
EWX-PAE-M25/P21	83182058	Black	18.20	28.10	49.00	104.00	13.0	50
EWX-PAE-M32/P29	83182060	Black	22.80	34.10	57.00	117.00	22.0	25
EWX-PAE-M40/P36	83182062	Black	28.70	42.40	71.00	146.00	28.0	25
EWX-PAE-M50/P48	83182064	Black	36.70	53.50	87.00	167.00	36.0	25
EWX-PAE-56 Jumbo	83182078	Black	52.20	67.70	95.00	220.00	40.0	25
EWX-PAE-70 Jumbo	83182080	Black	64.00	80.30	115.00	235.00	56.0	25
EWX-PAE-70 Jumbo	83182084	Black	64.00	80.30	115.00	235.00	52.0	110
EWX-PAE-80 Jumbo	83182081	Black	76.00	92.80	195.00	380.00	66.0	15
EWX-PAE-95 Jumbo	83182082	Black	88.20	105.50	220.00	450.00	92.5	10
EWX-PAE-M25/P21	83182018	Grey	18.20	28.10	49.00	104.00	11.0	50
EWX-PAE-M32/P29	83182020	Grey	22.80	34.10	57.00	117.00	22.0	25
EWX-PAE-M40/P36 ¹⁾	83182022	Grey	28.70	42.40	71.00	146.00	28.0	25
EWX-PAE-M50/P48 ¹⁾	83182024	Grey	36.70	53.50	87.00	167.00	36.0	25
EWX-PAE-70 Jumbo ¹⁾	83182040	Grey	64.00	80.30	115.00	235.00	56.0	25

¹⁾No stock goods, delivery time and minimum order quantities upon request

Type EW-HY



PRODUCT INFORMATION

The EW-HY cable protection conduits are made of specially modified thermoplastic elastomer. The material is halogen, phosphor and cadmium-free and is also heat and hydrolysis stabilised.




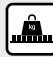

The EW-HY cable protection conduits are characterised by outstanding flexibility, flexural fatigue strength and good crush resistance.

This product is ideal for use in handling systems and robotics engineering, because of its excellent flexural fatigue strength. For dynamic applications involving low to medium mechanical loads.

Applications:

- Robotics
- Handling systems

SPECIFICATIONS

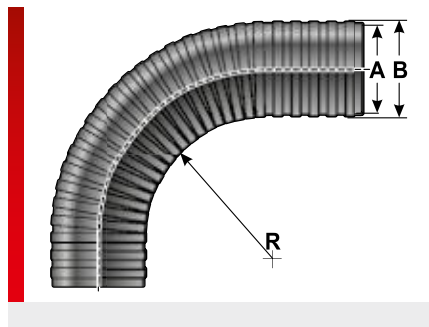
	-45 – 160 °C short term 180 °C
	Thermoplastic elastomer
	Acc. to UL94 HB
	In conformity with IEC EN 61386 Crush resistance: > 500 N
	In conformity with IEC EN 61386 Cycles: > 250000 ~



Type	Order No.	Colour	A Ø mm	B Ø mm	R stat. mm	R dyn. mm	Weight kg/100m	Pack m
Standard corrugation								
EW-HY-M12/P9	83121050	Black	9.40	12.80	21.00	51.00	3.2	50
EW-HY-M16/P11	83121052	Black	12.10	15.60	28.00	68.00	4.0	50
EW-HY-M20/P16S	83121054	Black	16.70	20.70	38.00	95.00	7.0	50
EW-HY-M25/P21	83121056	Black	21.80	28.00	49.00	109.00	12.0	50
EW-HY-M32/P29	83121058	Black	27.70	34.20	67.00	142.00	17.0	25
EW-HY-M40/P36	83121060	Black	35.20	42.20	81.00	191.00	21.0	25
EW-HY-M50/P48	83121062	Black	47.30	53.40	102.00	237.00	28.0	25
EW-HY 56	83121065	Black	54.88	67.40	120.00	285.00	40.0	25
EW-HY-70 Jumbo	83121066	Black	66.20	79.50	140.00	330.00	51.5	25
EW-HY-95 Jumbo	83121070	Black	90.00	105.00	150.00	400.00	90.0	10
Narrow corrugation								
EW-HY-M12/P9 ¹⁾	83121010	Grey	9.40	12.80	21.00	51.00	2.8	50
EW-HY-M16/P11	83121012	Grey	12.10	15.60	28.00	68.00	4.0	50
EW-HY-M25/P21	83121016	Grey	21.80	28.00	49.00	109.00	12.0	50
EW-HY-M32/P29	83121018	Grey	27.70	34.20	67.00	142.00	17.0	25
EW-HY-M40/P36	83121020	Grey	35.20	42.20	81.00	191.00	21.0	25
EW-HY-M50/P48	83121022	Grey	47.30	53.40	102.00	237.00	29.5	25
EW-HY-70 Jumbo	83121026	Grey	66.20	79.50	140.00	330.00	51.5	25
EW-HY-95 Jumbo	83121030	Grey	90.00	105.00	150.00	400.00	90.0	10

¹⁾ Min. order quantity 2100m

Type EWX-HY (high corrugation)



PRODUCT INFORMATION

The EWX-HY cable protection conduits are made of specially modified thermoplastic elastomer. The material is halogen, phosphor and cadmium-free and is also heat and hydrolysis stabilised.

The EWX-HY cable protection conduits are characterised by outstanding flexibility, flexural fatigue strength and good crush resistance.

With its excellent flexural fatigue strength, this product is ideal for use in handling systems and robotics engineering. For dynamic applications involving low to medium mechanical loads.

SPECIFICATIONS

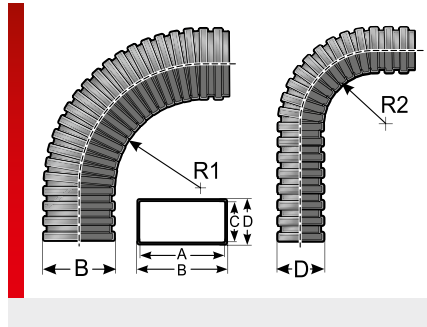
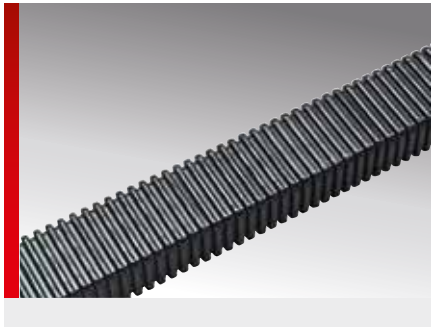
- 45 – 160 °C short term 180 °C
- Thermoplastic elastomer
- Acc. to UL94 HB
- In conformity with IEC EN 61386
Crush resistance: > 900 N
- In conformity with IEC EN 61386
Cycles: > 1000000 ~



Type	Order No.	Colour	A Ø mm	B Ø mm	R stat. mm	R dyn. mm	Weight kg/100m	Pack m
High corrugation								
EWX-HY-M25/P21	83121258	Black	18.60	27.80	49.00	104.00	13.0	50
EWX-HY-M32/P29	83121260	Black	23.00	34.20	57.00	117.00	17.5	25
EWX-HY-M40/P36	83121262	Black	28.90	42.30	71.00	146.00	28.0	25
EWX-HY-M50/P48	83121264	Black	36.80	53.70	87.00	167.00	30.4	25
EWX-HY-56 Jumbo	83121278	Black	53.00	67.80	95.00	220.00	45.0	25
EWX-HY-70 Jumbo	83121280	Black	64.40	80.50	140.00	330.00	63.0	25
EWX-HY-95 Jumbo ¹⁾	83121282	Black	91.00	105.50	150.00	400.00	89.0	10

¹⁾ Min. order quantity 40m

Type EF (rectangular conduit)



PRODUCT INFORMATION

The rectangular Energoflex EF cable protection conduits are made of specially modified thermoplastic elastomer. The material is halogen, phosphor and cadmium-free. The Energoflex EW cable protection conduits are characterised by excellent flexibility and good flexural fatigue strength. With its rectangular shape, the EF conduit can be used as a cost-effective alternative to cable drag chains. For dynamic applications involving light to medium mechanical loads in mechanical and plant engineering.

Advantages of the Energoflex include:

- Little relative movement of the cords
- Low-wear interior
- Simultaneous traversing in multiple axes possible
- Higher stability compared to a conduit

System affiliation:

- Holder EF/B 26/42
- Flange connection FL-EF 26042

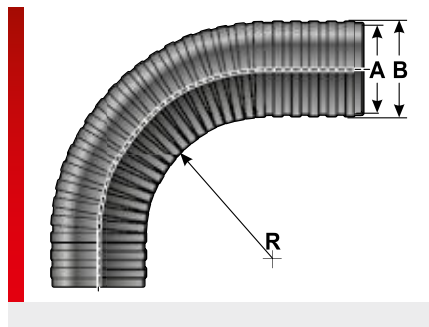
SPECIFICATIONS

- 45 – 160 °C short term 180 °C
- Thermoplastic elastomer
- Acc. to UL94 HB
- In conformity with IEC EN 61386
Crush resistance: 1000 N



Type	Order No.	Colour	A mm	B mm	C mm	D mm	R1 stat./dyn. mm	R2 stat./dyn. mm	Weight kg/100m	Pack m
EF 26042	83361012	Black	42.00	50.00	26.00	34.00	110.0 / 320.0	60.0 / 120.0	22.0	3




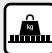
Type EWB



PRODUCT INFORMATION

The EWB cable protection conduit has been manufactured from custom high-density polyethylene (HDPE). This material is especially suited for routing in concrete, as a result of its high chemical stability and crush resistance.

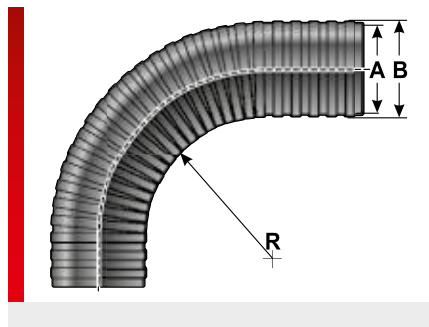
SPECIFICATIONS

-  -15 – 90 °C short term 120 °C
-  Mod. polyethylene
-  Acc. to UL94 HB
-  In conformity with IEC EN 61386
Crush resistance: > 650 N



Type	Order No.	Colour	A Ø mm	B Ø mm	R stat. mm	Weight kg/100m	Pack m
Standard corrugation							
EWB 21	99950435	Black	21.90	28.10	60.00	10.0	50
EWB 21	83980122	Black	21.90	28.10	60.00	10.0	25

Type EW-TEF



PRODUCT INFORMATION

The EW-TEF cable protection conduits are made of specially modified polytetrafluoroethylene. The material is halogen, phosphor and cadmium-free.

The self-extinguishing EW-TEF cable protection conduits are characterised by excellent temperature and chemical resistance. The corrugated conduits are highly also extremely hard-wearing, highly dimensionally stable and resistant to UV radiation. These products

are widely used in both the chemical and pharmaceutical industries and in the food industry.

For low to medium mechanical loads.

Applications:

- Vehicle engineering
- Plant engineering
- Mechanical engineering
- Chemical plants

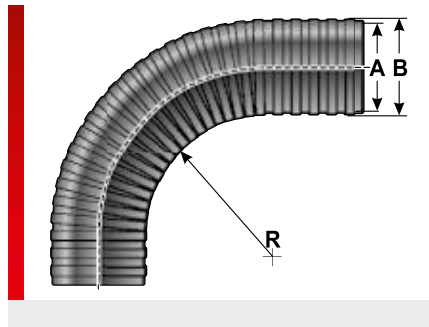
SPECIFICATIONS

- 200 – 260 °C
- Fluoroplastic
- Acc. to UL94 V0 self-extinguishing
- In conformity with IEC EN 61386
Crush resistance: > 250 N



Type	Order No.	Colour	Corresponds to conduit size	A Ø mm	B Ø mm	R stat. mm	Weight kg/100m	Pack m
EW-TEF 4.5	83281050	Black		4.30	6.80	18.00	1.6	100
EW-TEF 5.5	83281052	Black		5.50	7.80	20.00	1.9	50
EW-TEF 7.5	83281054	Black	M10/P07	7.60	10.70	20.00	3.0	50
EW-TEF 10	83281056	Black	M12/P09	9.80	13.00	30.00	3.5	50
EW-TEF 13	83281058	Black	M16/P11	12.40	16.00	35.00	5.9	50
EW-TEF 14	83281060	Black		13.80	17.80	40.00	8.1	50
EW-TEF 16	83281062	Black		15.50	19.60	45.00	9.7	50
EW-TEF 17	83281064	Black	M20/P16	16.60	21.10	45.00	9.8	50
EW-TEF 19	83281066	Black		18.60	23.30	55.00	11.0	50
EW-TEF 21	83281068	Black		20.10	25.00	60.00	13.0	50

Type EW-PA-EX



PRODUCT INFORMATION

The EW-PA-EX cable protection conduits are made of specially modified polyamide 12 a high discharge capacity. The material is halogen, phosphor and cadmium-free.

The EW-PA-EX cable protection conduits meet the ATEX 94/9/EG directive; they are characterised by a high discharge capacity for static electricity combined with excellent flexibility.

With the proper grounding connection they are suitable for potent dust explosion zones 20, 21 and 22, as well as in areas with zones

0, 1 and 2 gas explosion risks (independent of the explosion rating group of the gases present).

These EW-PA-EX conduit properties make them the perfect choice for industrial handling systems and robotics applications and in all areas where antistatic (ESD protection) equipment is required (mining, refineries, chemical industry).

SPECIFICATIONS

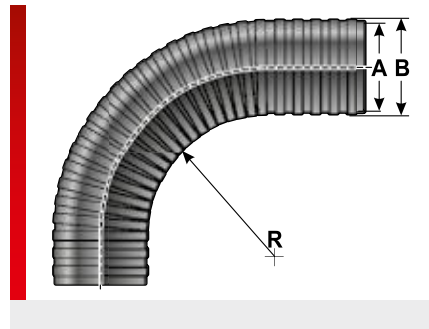
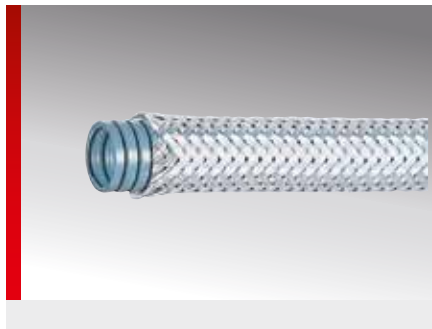
- 40 – 110 °C short term 150 °C
- Mod. polyamide PA 12
- Acc. to UL94 HB
- In conformity with IEC EN 61386
Crush resistance: > 400 N
- In conformity with IEC EN 61386
Cycles: > 1000000 ~
- In conformity with IEC EN 61386
Tier: 4



Type	Order No.	Colour	A Ø mm	B Ø mm	R stat. mm	R dyn. mm	Weight kg/100m	Pack m
Standard corrugation								
EW-PA-EX-M16/P11	83163654	Black	11.80	15.70	20.00	60.00	3.4	50
EW-PA-EX-M20/P16	83163656	Black	15.60	21.00	25.00	80.00	5.3	50
EW-PA-EX-M25/P21	83163658	Black	21.80	28.30	35.00	95.00	9.0	50
EW-PA-EX-M32/P29	83163660	Black	27.60	34.30	50.00	125.00	12.2	25
EW-PA-EX-M40/P36	83163662	Black	35.00	42.40	60.00	170.00	16.3	25
EW-PA-EX-M50/P48	83163664	Black	47.00	53.90	75.00	210.00	22.3	25
EW-PA-EX-70 Jumbo ¹⁾	83163666	Black	66.20	78.80	160.00	350.00	48.0	25
EW-PA-EX-95 Jumbo ¹⁾	83163668	Black	90.00	105.50	210.00	450.00	77.0	10

¹⁾ No stock goods, delivery time and minimum order quantities upon request

Type EW-PAP (with metal braiding)



PRODUCT INFORMATION

The EW-PAP cable protection conduits are made of specially modified polyamide 6 and coated with a galvanised steel wire. The materials are halogen, phosphor and cadmium-free.

The EW-PAP cable protection conduits are characterised by excellent crush resistance and very good thermal and mechanical protection. The conduits are used in mechanical and plant engineering, for example in the area of automated welding systems or in areas exposed to hot chippings at machining centres.

These cable protection conduits are also used for EMC applications. For static applications involving medium to high mechanical loads.

Applications:

- EMC applications
- In areas exposed to hot chippings
- In welding areas

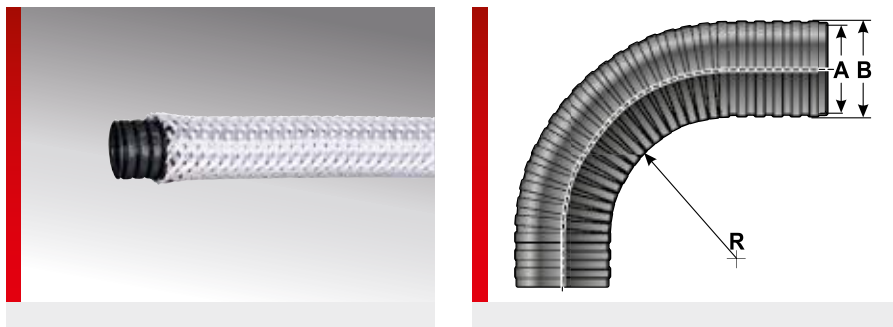
SPECIFICATIONS

- 40 – 120 °C short term 160 °C
- Mod. polyamide PA 6
Galvanised steel wire
- Acc. to UL94 HB
- In conformity with IEC EN 61386
Crush resistance: > 1200 N
- In conformity with IEC EN 61386
Cycles: > 24000 ~
- In conformity with IEC EN 61386
System tear-out strength: > 700 N



Type	Order No.	Colour	A Ø mm	B Ø mm	R stat. mm	Weight kg/100m	Pack m
EW-PAP-M12/P9	83141010	Grey	9.80	14.00	37.00	14.0	50
EW-PAP-M16/P11	83141012	Grey	12.30	16.80	58.00	16.0	50
EW-PAP-M20/P16	83141014	Grey	15.80	22.00	81.00	20.0	50
EW-PAP-M25/P21	83141016	Grey	22.40	29.40	95.00	36.0	50
EW-PAP-M32/P29	83141018	Grey	27.50	35.50	118.00	36.0	25
EW-PAP-M40/P36	83141020	Grey	35.50	43.50	162.00	50.0	25
EW-PAP-M50/P48	83141022	Grey	46.50	55.50	208.00	62.0	25

Type EW-PATM (with metal braiding)



PRODUCT INFORMATION

The EW-PATM cable protection conduits are made of specially modified polyamide 6 and coated with a galvanised steel wire. The materials are halogen, phosphor and cadmium-free.

The EW-PATM cable protection conduits feature good crush resistance, excellent thermal and mechanical protection, self-extinguish well and produce very low levels of smoke gas. Therefore it is suitable for use in both rail transport systems and exposed layouts in building service applications.

For static applications involving medium to high mechanical loads.

Specification:

- EN 45545-2 3x HL3

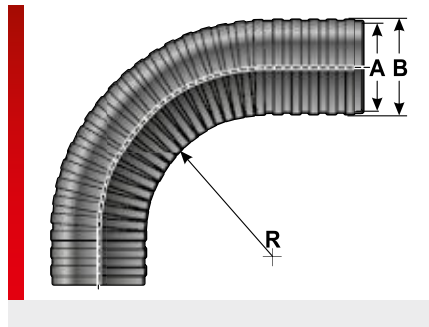
SPECIFICATIONS

- 40 – 120 °C short term 160 °C
- Acc. to UL94 V2 self-extinguishing S4
- In conformity with IEC EN 61386
Crush resistance: > 1300 N
- In conformity with IEC EN 61386
Cycles: > 1200 ~
- In conformity with IEC EN 61386
Tier: 3
- In conformity with IEC EN 61386
System tear-out strength: 500 N



Type	Order No.	Colour	A Ø mm	B Ø mm	Weight kg/100m	Pack m
EW-PATM-M25/P21	83142016	Black	22.40	30.00	36.0	50
EW-PATM-M40/P36	83142020	Black	36.00	44.50	50.0	25

Type EL



PRODUCT INFORMATION

The EL cable protection conduits are made of high-quality soft PVC, and the integrated support coil of rigid PVC. The conduits are suitable for continuous bending loads. The EL cable protection conduits are used mainly to protect electrical cables in control unit construction, apparatus and mechanical engineering and feature the following advantages:

- Very good flexibility
- Kink-resistant
- Hard-wearing
- Smooth interior (electric or pneumatic cables are easily inserted)

SPECIFICATIONS

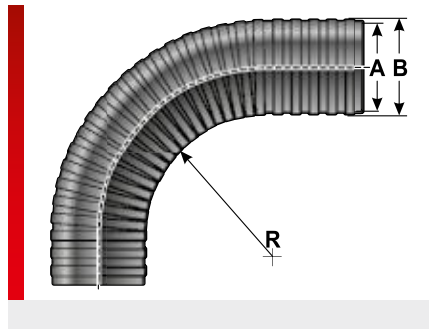
- 15 – 60 °C
- Polyvinyl chloride (PVC)
- Acc. to UL94 V2 self-extinguishing
- In conformity with IEC EN 61386
Crush resistance: > 500 N

RoHS

Type	Order No.	Colour	A Ø mm	B Ø mm	R stat. mm	Weight kg/100m	Pack m
EL 13 ¹⁾	83301054	Black	15.00	19.00	20.00	11.0	50
EL 16 ¹⁾	83301056	Black	16.00	21.00	21.00	12.0	50
EL 21	83301058	Black	22.00	27.00	27.00	19.0	50
EL 09	83301010	Grey	10.00	14.00	14.00	8.3	50
EL 11	83301012	Grey	13.00	17.00	17.00	10.0	50
EL 13	83301014	Grey	15.00	19.00	20.00	11.0	50
EL 16	83301016	Grey	16.00	21.00	21.00	12.0	50
EL 21	83301018	Grey	22.00	27.00	27.00	19.0	50
EL 29	83301020	Grey	30.00	35.00	35.00	22.0	25
EL 36	83301024	Grey	40.00	44.00	45.00	40.0	25
EL 36 ¹⁾	83301026	Grey	40.00	44.00	45.00	40.0	50
EL 48	83301030	Grey	50.00	56.00	55.00	49.0	25

¹⁾Part to be phased out!

Type ELS



PRODUCT INFORMATION

The ELS cable protection conduits are made of high-quality soft PVC, and the integrated support coil of plastic coated spring steel. The conduits are suitable for high continuous bending and very high mechanical loads. The silicone and cadmium-free ELS cable protection conduits are used mainly to protect electrical cables in control unit construction, apparatus and mechanical engineering and feature the following advantages:

- Highly flexible
- Extremely small bending radius
- Dimensionally stable
- Hard-wearing and kink-resistant
- Air and liquid-tight

SPECIFICATIONS

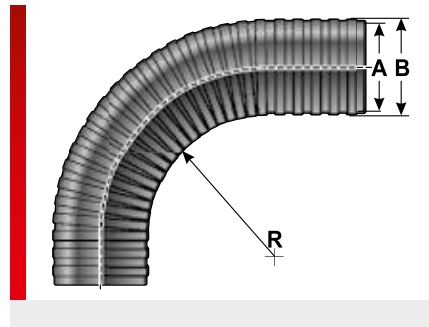
- 25 – 80 °C short term 100 °C
- Polyvinyl chloride (PVC)
Spring steel
- Acc. to UL94 V2 self-extinguishing
- In conformity with IEC EN 61386
Crush resistance: > 1200 N

RoHS

Type	Order No.	Colour	A Ø mm	B Ø mm	R stat. mm	R dyn. mm	Weight kg/100m	Pack m
ELS 07 ¹⁾	83321050	Black	7.00	10.00	8.00	20.00	7.0	100
ELS 07	83321010	Grey	7.00	10.00	8.00	20.00	7.0	50
ELS 09	83321012	Grey	10.00	14.00	10.00	25.00	8.5	50
ELS 11	83321014	Grey	13.00	17.00	13.00	35.00	13.0	50
ELS 13	83321016	Grey	15.00	19.00	15.00	40.00	15.0	50
ELS 16	83321018	Grey	16.00	21.00	17.00	45.00	21.0	50
ELS 21	83321020	Grey	22.00	27.00	20.00	50.00	29.0	50
ELS 29	83321022	Grey	29.00	36.00	25.00	65.00	44.0	25
ELS 36	83321024	Grey	38.00	45.00	36.00	90.00	54.0	25
ELS 42 ¹⁾	83321026	Grey	44.00	52.00	38.00	95.00	72.0	25
ELS 48	83321028	Grey	48.00	56.00	40.00	100.00	88.0	25

¹⁾ Part to be phased out!

Type EVK



PRODUCT INFORMATION

The EVK cable protection conduits are made of high-quality soft PVC with approx. 30% nitrile rubber. The integrated support coil made of rigid PVC gives the conduit a high level of dimensional stability. This makes the conduits ideal for static applications involving high mechanical loads.

The EVK cable protection conduits are used mainly to protect electrical cables in machine construction and mechanical engineering and feature the following advantages:

- Excellent dimensional stability
- Hard-wearing and kink-resistant
- Weather-resistant and hard-wearing

SPECIFICATIONS

- 15 – 60 °C
- Polyvinyl chloride (PVC)
- Acc. to UL94 V2 self-extinguishing
- In conformity with IEC EN 61386
Crush resistance: > 650 N



Type	Order No.	Colour	A Ø mm	B Ø mm	R stat. mm	Weight kg/100m	Pack m
EVK 07/E	83301252	Black	10.00	13.80	10.00	9.5	50
EVK 07	83301210	Grey	9.00	13.40	9.00	8.5	50
EVK 07/E	83301212	Grey	10.00	13.80	10.00	9.5	25
EVK 09/E	83301216	Grey	13.00	17.20	13.00	12.0	50
EVK 09	83301214	Grey	14.00	18.80	14.00	14.0	50
EVK 11/E ¹⁾	83301220	Grey	15.00	19.60	15.00	15.0	50
EVK 11	83301218	Grey	16.00	20.60	16.00	15.0	50
EVK 13 ¹⁾	83301222	Grey	19.00	24.00	19.00	17.0	50
EVK 16	83301224	Grey	20.00	24.60	20.00	21.0	50
EVK 21/E ¹⁾	83301228	Grey	22.00	26.60	22.00	23.0	50
EVK 21	83301226	Grey	27.00	32.20	27.00	25.0	50
EVK 21 without print	83980141	Grey	27.00	32.20	27.00	25.0	50
EVK 29/E	83301232	Grey	30.00	35.80	30.00	30.0	25
EVK 29	83301230	Grey	35.00	40.40	35.00	39.0	25
EVK 36/E	83301236	Grey	38.00	43.80	38.00	44.0	25
EVK 36 ¹⁾	83301234	Grey	45.00	51.20	45.00	51.0	25
EVK 42 ¹⁾	83301238	Grey	50.00	56.60	50.00	59.0	25
EVK 48 ¹⁾	83301240	Grey	55.00	62.20	55.00	65.0	25

¹⁾ No stock goods, delivery time and minimum order quantities upon request

Type GF (braided conduit)



PRODUCT INFORMATION


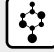

The GF braided conduits are made of specially modified polyamide 6.6. With this material and the special braiding, the conduit is extremely durable and elastic in both the radial and axial directions.

The GF braided conduit is used to bundle and protect a large number of cables and individual wires of all types. The elastic braiding means that configuration of the conduit can be very variable.

Additional advantages of the GF braided conduit include:

- Very good mechanical and thermal resistance
- Good chemical resistance
- High flexibility
- Very high abrasion resistance

SPECIFICATIONS

	-50 – 150 °C short term 175 °C
	Mod. polyamide PA 6.6
	Acc. to UL94 V2 self-extinguishing



Type	Order No.	Colour	Nominal widths NW	Size range mm	Surface covering in %	Weight kg/100m	Pack m
GF 4	83341010	Black	4.00	3.0 / 8.0	93.00	0.7	200
GF 6	83341012	Black	6.00	4.0 / 10.5	86.00	0.7	200
GF 8	83341014	Black	8.00	7.0 / 14.0	87.00	1.0	200
GF 10	83341016	Black	10.00	6.0 / 15.0	77.00	1.3	200
GF 12	83341018	Black	12.00	10.0 / 16.0	74.00	1.6	200
GF 16	83341020	Black	16.00	11.0 / 24.0	80.00	1.7	100
GF 20	83341022	Black	20.00	18.0 / 30.0	75.00	2.5	100
GF 22	83341024	Black	22.00	18.0 / 32.0	84.00	2.6	100
GF 30	83341026	Black	30.00	20.0 / 37.0	78.00	2.5	100
GF 40	83341028	Black	40.00	36.0 / 50.0	77.00	4.0	50
GF 50	83341030	Black	50.00	45.0 / 52.0	79.00	5.0	50
GF 70	83341032	Black	70.00	45.0 / 78.0	84.00	5.4	50
GF 4	83341050	Grey	4.00	3.0 / 8.0	93.00	0.45	200
GF 6	83341052	Grey	6.00	4.0 / 10.5	86.00	0.57	200
GF 8	83341054	Grey	8.00	7.0 / 14.0	87.00	0.81	200
GF 10	83341056	Grey	10.00	6.0 / 15.0	77.00	0.76	200
GF 12	83341058	Grey	12.00	10.0 / 16.0	74.00	0.8	200
GF 16	83341060	Grey	16.00	11.0 / 24.0	80.00	1.31	100
GF 20	83341062	Grey	20.00	18.0 / 30.0	75.00	1.41	100
GF 22	83341064	Grey	22.00	18.0 / 32.0	84.00	1.9	100
GF 30	83341066	Grey	30.00	20.0 / 37.0	78.00	2.17	100
GF 40	83341068	Grey	40.00	36.0 / 50.0	77.00	2.88	50
GF 50	83341070	Grey	50.00	45.0 / 52.0	79.00	3.62	50
GF 70	83341072	Grey	70.00	45.0 / 78.0	84.00	5.95	50

Type GF-P (braided conduit)



PRODUCT INFORMATION


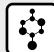




The GF-P braided conduits are made of specially modified polyester. With this material and the special braiding, the conduit is extremely durable and elastic in both the radial and axial directions. It can be used to bundle and protect a large number of cables and individual wires of all types. The elastic braiding means that configuration of the conduit can be very variable.

Additional advantages of the GF-P braided conduit include:

- Very good mechanical and thermal resistance
- Good chemical resistance
- Very low levels of smoke gas
- Very high abrasion resistance

Specification:
EN 45545-2 3x HL3

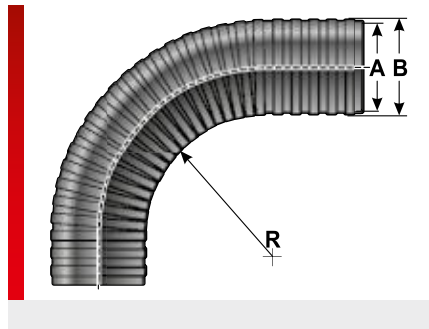
SPECIFICATIONS

	-55 – 150 °C	
	mod. Polyester	
	Acc. to UL94 V2 self-extinguishing	
		

Type	Order No.	Colour	Nominal widths NW	Size range mm	Surface covering in %	Weight kg/100m	Pack m
GF-P 3	83342008	Black	4.00	3.0 / 8.0	93.00	0.41	500
GF-P 4	83342010	Black	4.00	3.0 / 10.0	93.00	0.58	200
GF-P 6	83342012	Black	6.00	4.0 / 10.5	86.00	0.7	200
GF-P 8	83342014	Black	8.00	6.0 / 14.0	87.00	0.74	200
GF-P 10	83342016	Black	10.00	6.0 / 15.0	77.00	0.91	200
GF-P 12	83342018	Black	12.00	10.0 / 16.0	74.00	0.94	200
GF-P 16	83342020	Black	16.00	11.0 / 22.0	80.00	1.5	100
GF-P 20	83342022	Black	20.00	12.0 / 30.0	75.00	1.75	100
GF-P 22	83342024	Black	22.00	18.0 / 32.0	84.00	1.9	100
GF-P 30	83342026	Black	30.00	20.0 / 38.0	78.00	2.65	100
GF-P 40	83342028	Black	40.00	28.0 / 42.0	77.00	3.18	50
GF-P 50	83342030	Black	50.00	45.0 / 50.0	79.00	3.88	50
GF-P 70	83342032	Black	70.00	45.0 / 87.0	87.00	5.94	50
GF-P 4	83342050	Grey	4.00	3.0 / 10.0	93.00	0.58	200
GF-P 6	83342052	Grey	6.00	4.0 / 10.5	86.00	0.7	200
GF-P 8	83342054	Grey	8.00	6.0 / 14.0	87.00	0.74	200
GF-P 10	83342056	Grey	10.00	6.0 / 15.0	77.00	0.91	200
GF-P 12	83342058	Grey	12.00	10.0 / 16.0	74.00	0.94	200
GF-P 16	83342060	Grey	16.00	11.0 / 22.0	80.00	1.5	100
GF-P 20	83342062	Grey	20.00	12.0 / 30.0	75.00	1.75	100
GF-P 22	83342064	Grey	22.00	18.0 / 32.0	84.00	1.9	100
GF-P 30	83342066	Grey	30.00	20.0 / 38.0	78.00	2.65	100
GF-P 40	83342068	Grey	40.00	28.0 / 42.0	77.00	3.18	50
GF-P 50	83342070	Grey	50.00	45.0 / 50.0	79.00	3.88	50
GF-P 70	83342072	Grey	70.00	45.0 / 87.0	87.00	5.94	50



Type EWX-LS (high corrugation)



PRODUCT INFORMATION

The EWX-LS cable protection conduits are made of specially modified polyethylene. The material is halogen, phosphor and cadmium-free.

For installation of pre-assembled cables, retrofitting or repairs in mechanical and plant engineering. For static applications involving light to medium mechanical loads.

The EWX-LS cable protection conduits have a higher corrugation and feature the following advantages:

- Excellent flexibility
- Less wear
- Good crush resistance
- Subsequent installation possible

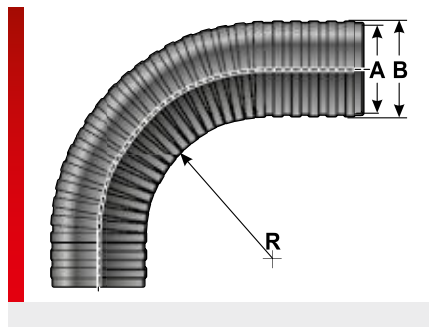
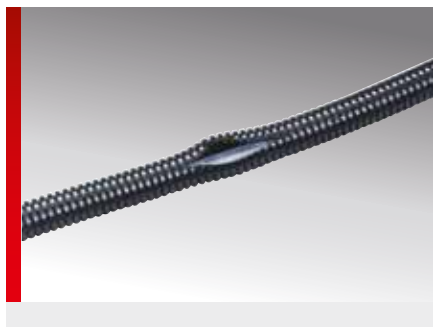
SPECIFICATIONS

- 20 – 70 °C short term 90 °C
- Mod. polyethylene
- Acc. to UL94 HB
- In conformity with IEC EN 61386
Cycles: > 1600 ~



Type	Order No.	Colour	A Ø mm	B Ø mm	R stat. mm	Weight kg/100m	Pack m
High corrugation							
EWX-LS-M25/P21	83102218	Grey	19.30	28.30	49.00	9.0	50
EWX-LS-M32/P29	83102220	Grey	23.00	34.20	57.00	11.5	25
EWX-LS-M40/P36	83102222	Grey	28.70	42.30	71.00	15.0	25
EWX-LS-M50/P48	83102224	Grey	37.50	54.00	87.00	22.0	25

Type EW-PA-LS



PRODUCT INFORMATION

The EW-PA-LS cable protection conduits are made of specially modified polyamide 6. The material is halogen, phosphor and cadmium-free.

The conduits are for universal use in both mechanical and plant engineering and vehicle engineering. With their slotted design, the conduits are ideally suited for retrofitting, repairs or for pre-assembled cables.

The EW-PA-LS cable protection conduits feature the following advantages:

- High crush resistance
- Good flexibility
- Medium to high loads in static applications
- Subsequent installation possible

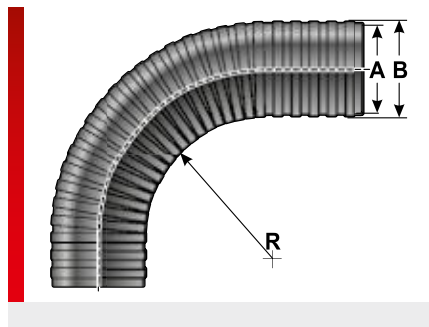
SPECIFICATIONS

- 40 – 120 °C short term 160 °C
- Mod. polyamide PA 6
- Acc. to UL94 HB
- In conformity with IEC EN 61386
Cycles: > 24000 ~

RoHS
 HF
 Made in Germany

Type	Order No.	Colour	A Ø mm	B Ø mm	R stat. mm	Weight kg/100m	Pack m
Standard corrugation							
EW-PA-LS-06	83163850	Black	6.60	10.00	21.00	2.2	50
EW-PA-LS-M10/P7	83163851	Black	8.50	11.40	24.00	2.5	50
EW-PA-LS-M12/P9	83163852	Black	9.80	13.00	26.00	2.8	50
EW-PA-LS-M16/P11	83163854	Black	12.30	15.80	38.00	3.8	50
EW-PA-LS-M20/P16	83163856	Black	15.80	21.00	55.00	5.8	50
EW-PA-LS-M25/P21	83980092	Black	22.50	28.50	59.00	9.0	50

Type EWX-PA-LS (high corrugation)



PRODUCT INFORMATION

The EWX-PA-LS cable protection conduits are made of specially modified polyamide 6. The material is halogen, phosphor and cadmium-free. For installation of pre-assembled cables, retrofitting or repair of cables. For static applications involving extreme mechanical loads.

The EWX-PA-LS cable protection conduits have a higher corrugation and feature the following advantages:

- Good flexibility
- Less wear
- Excellent crush resistance
- Subsequent installation possible

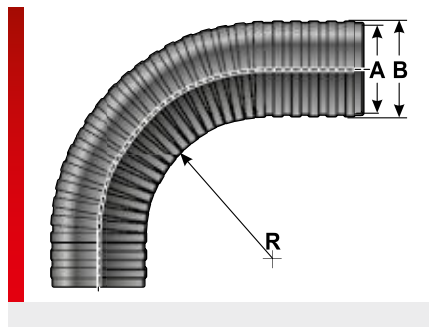
SPECIFICATIONS

- 40 – 120 °C short term 160 °C
- Mod. polyamide PA 6
- Acc. to UL94 HB
- In conformity with IEC EN 61386
Cycles: > 13000 ~



Type	Order No.	Colour	A Ø mm	B Ø mm	R stat. mm	Weight kg/100m	Pack m
High corrugation							
EWX-PA-LS-M25/P21	83163058	Black	19.80	28.10	49.00	10.5	50
EWX-PA-LS-M32/P29	83163060	Black	24.10	34.50	57.00	12.7	25
EWX-PA-LS-M40/P36	83163062	Black	29.70	42.10	71.00	20.5	25
EWX-PA-LS-M50/P48	83163064	Black	38.00	54.10	87.00	23.0	25

Type EWX-PP-LS (high corrugation)



PRODUCT INFORMATION

The self-extinguishing EWX-PP cable protection conduits are made of specially modified polypropylene. The material is phosphor and cadmium-free.

For static and dynamic applications involving medium to high mechanical loads, as well as the installation of pre-assembled cables, retrofitting or repair of cables.

The EWX-PP-LS cable protection conduits have a higher corrugation and feature the following advantages:

- Good flexibility
- Less wear
- Excellent crush resistance
- Subsequent installation possible
- Chemical resistance

SPECIFICATIONS

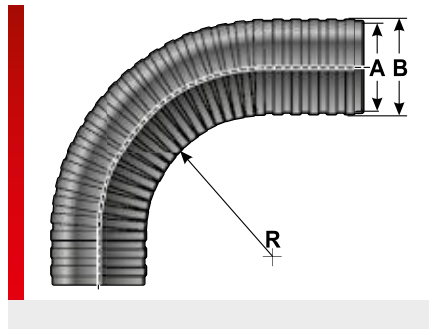
- 40 – 130 °C short term 150 °C
- Mod. Polypropylene
- Acc. to UL94 V2 self-extinguishing
- In conformity with IEC EN 61386
Cycles: > 2000000 ~



Type	Order No.	Colour	A Ø mm	B Ø mm	R stat. mm	R dyn. mm	Weight kg/100m	Pack m
High corrugation								
EWX-PP-LS M25/P21 ¹⁾	83203058	Black	18.30	28.00	50.00	110.00	9.0	50
EWX-PP-LS M32/P29 ¹⁾	83203060	Black	22.60	34.20	60.00	120.00	12.2	25

¹⁾No stock goods, delivery time and minimum order quantities upon request

Type EWX-PAE-LS (high corrugation)



PRODUCT INFORMATION

The EWX-PAE-LS cable protection conduits are made of specially modified polyamide 12. The material is halogen, phosphor and cadmium-free. With its excellent flexural fatigue strength, this product is ideal for robotics engineering and in the area of handling systems. For installation of pre-assembled cables, retrofitting or repair of cables. For dynamic applications involving light to medium mechanical loads.

The EWX-PAE-LS cable protection conduits have a higher corrugation and feature the following advantages:

- Very good flexibility
- Excellent flexural fatigue strength
- Less wear
- Good crush resistance
- Subsequent installation possible

SPECIFICATIONS

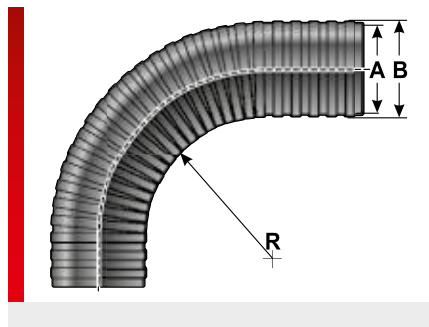
- 40 – 120 °C short term 150 °C
- Mod. polyamide PA 12
- Acc. to UL94 HB
- In conformity with IEC EN 61386
Cycles: > 5000000 ~
- In conformity with IEC EN 61386
Tier: 4

RoHS
 HF
 UV
 Made in Germany

Type	Order No.	Colour	A Ø mm	B Ø mm	R stat. mm	R dyn. mm	Weight kg/100m	Pack m
High corrugation								
EWX-PAE-LS-M20/P16	83182256	Black	13.30	21.10	36.00	77.00	6.0	50
EWX-PAE-LS-M25/P21	83182258	Black	19.20	28.20	49.00	104.00	11.0	50
EWX-PAE-LS-M32/P29	83182260	Black	23.10	34.50	57.00	117.00	14.0	25
EWX-PAE-LS-M40/P36	83182262	Black	28.50	42.20	71.00	146.00	18.2	25
EWX-PAE-LS-M50/P48	83182264	Black	36.50	53.60	87.00	167.00	24.0	25
EWX-PAE-LS-56 Jumbo ¹⁾	83182278	Black	51.70	67.70	95.00	220.00	40.0	25
EWX-PAE-LS-70 Jumbo	83182280	Black	64.30	80.30	115.00	235.00	52.0	25

¹⁾ No stock goods, delivery time and minimum order quantities upon request

Type EWX-HY-LS (high corrugation)



PRODUCT INFORMATION

The EWX-HY-LS cable protection conduits are made of specially modified thermoplastic elastomer. The material is halogen, phosphor and cadmium-free.

With its excellent flexural fatigue strength, this product is ideal for robotics engineering and in the area of handling systems. For installation of pre-assembled cables, retrofitting or repair of cables. For dynamic applications involving light to medium mechanical loads.

The EWX-HY-LS cable protection conduits have a higher corrugation and feature the following advantages:

- Very good flexibility
- Excellent flexural fatigue strength
- Less wear
- Good crush resistance
- Subsequent installation possible

SPECIFICATIONS

- 45 – 160 °C short term 180 °C
- Thermoplastic elastomer
- Acc. to UL94 HB
- In conformity with IEC EN 61386
Cycles: > 100000 ~



Type	Order No.	Colour	A Ø mm	B Ø mm	R stat. mm	R dyn. mm	Weight kg/100m	Pack m
High corrugation								
EWX-HY-LS-M25/P21	83122258	Black	19.80	28.10	49.00	104.00	11.5	50
EWX-HY-LS-M32/P29	83122260	Black	24.10	34.50	57.00	117.00	17.5	25
EWX-HY-LS-M40/P36	83122262	Black	29.70	42.10	71.00	146.00	22.0	25
EWX-HY-LS-M50/P48	83122264	Black	38.00	54.10	87.00	167.00	30.4	25
EWX-HY-LS-56 Jumbo ¹⁾	83122278	Black	52.00	68.00	95.00	220.00	45.0	25
EWX-HY-LS-70 Jumbo ¹⁾	83122282	Black	64.00	80.00	115.00	235.00	63.0	25

¹⁾No stock goods, delivery time and minimum order quantities upon request

Type GF-P-LS



PRODUCT INFORMATION

The self-retracting fabric conduit with longitudinal slot provides excellent mechanical protection against abrasion for your cords. First off it prevents rattling even better, plus it can be installed at any place and at any time.

Additional advantages of the GF-P-LS braided conduit include:

- High mechanical protection
- Light-weight / low mass
- High flexibility
- Great chemical resistance
- Flame resistant

Specification:

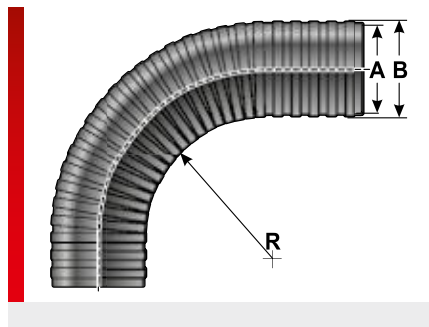
- EN 45545-2 2x HL3 1X HL2

SPECIFICATIONS

	-55 – 150 °C short term 175 °C
	mod. Polyester
	UL 224 / FMV SS302 self-extinguishing Type B

Type	Order No.	Colour	Nominal widths NW	Size range mm	Weight kg/100m	Pack m
GF-P-LS-5	83342110	Black	5.00	3.0 / 5.0	1.71	25
GF-P-LS-8	83342112	Black	8.00	5.0 / 8.0	2.12	25
GF-P-LS-10	83342114	Black	10.00	8.0 / 10.0	2.43	25
GF-P-LS-13	83342116	Black	13.00	10.0 / 13.0	2.54	25
GF-P-LS-16	83342118	Black	16.00	13.0 / 16.0	3.38	25
GF-P-LS-19	83342120	Black	19.00	16.0 / 19.0	3.38	25
GF-P-LS-25	83342122	Black	25.00	22.0 / 25.0	4.81	25
GF-P-LS-29	83342124	Black	29.00	26.0 / 29.0	5.18	25
GF-P-LS-32	83342126	Black	32.00	29.0 / 32.0	6.35	25
GF-P-LS-38	83342128	Black	38.00	32.0 / 44.0	7.56	25
GF-P-LS-50	83342130	Black	50.00	44.0 / 50.0	7.56	25

Type EWT-PA split-flex®



PRODUCT INFORMATION

The EWT-PA cable protection conduits are made of specially modified polyamide 6. The material is halogen, phosphor and cadmium-free. The conduits are suitable for static applications involving light to medium mechanical loads. The EWT-PA cable protection conduits consist of a two-piece slotted conduit system and feature the following advantages:

- Cable protection conduits can be opened and closed at any time.
- Mounting of pre-assembled cables
- Retrofitting or repair in mechanical and plant engineering

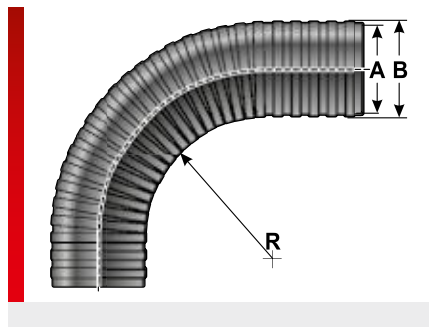
SPECIFICATIONS

- 40 – 120 °C short term 160 °C
- Mod. polyamide PA 6
- Acc. to UL94 HB
- In conformity with IEC EN 61386
Crush resistance: > 900 N
- In conformity with IEC EN 61386
Cycles: > 15000 ~

RoHS
 HF
 Made in Germany

Type	Order No.	Colour	A Ø mm	B Ø mm	R stat. mm	Weight kg/100m	Pack m
Standard corrugation							
EWT-PA-M10/P7	83164250	Black	5.70	11.50	70.00	3.7	50
EWT-PA-M12/P9	83164252	Black	7.90	12.90	75.00	4.6	50
EWT-PA-M16/P11	83164254	Black	10.00	16.20	100.00	7.2	50
EWT-PA-M20/P16	83164256	Black	13.70	21.00	120.00	11.0	50
EWT-PA-M25/P21	83164258	Black	19.80	28.40	170.00	16.6	50
EWT-PA-M32/P29	83164260	Black	25.00	34.20	180.00	21.0	25
EWT-PA-M40/P36	83164262	Black	32.30	43.50	200.00	29.3	25
EWT-PA-M50/P48	83164264	Black	44.00	53.30	240.00	40.0	25
EWT-PA-70 Jumbo	83261022	Black	62.20	79.00	300.00	53.0	10

Type EWT-PAT split-flex®



PRODUCT INFORMATION

The EWT-PAT cable protection conduits are made of specially modified polyamide 6. The material is halogen, phosphor and cadmium-free.

The EWT-PAT cable protection conduits feature excellent crush resistance, self-extinguish very well and produce very low levels of smoke gas. For static applications involving medium to high mechanical loads. The EWT-PAT cable protection conduits consist of a two-piece slotted conduit system and feature the following advantages:

- Cable protection conduits can be opened and closed at any time.
- Mounting of pre-assembled cables
- Retrofitting or repair in mechanical and plant engineering

Specification:

- EN 45545-2 3x HL3
- Fire test in accordance with UL1696

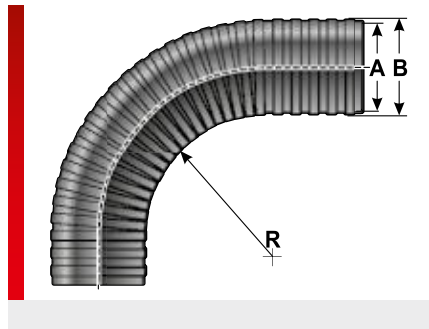
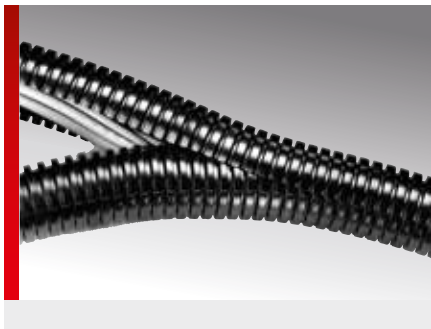
SPECIFICATIONS

- 40 – 120 °C short term 180 °C
- Mod. polyamide PA 6
- Acc. to UL94 V2 self-extinguishing S4
- In conformity with IEC EN 61386
Crush resistance: > 1000 N
- In conformity with IEC EN 61386
Cycles: > 1200 ~



Type	Order No.	Colour	A Ø mm	B Ø mm	R stat. mm	Weight kg/100m	Pack m
Standard corrugation							
EWT-PAT-M12/P9	83165152	Black	7.90	12.90	75.00	4.6	50
EWT-PAT-M16/P11	83165154	Black	10.00	16.20	100.00	7.2	50
EWT-PAT-M20/P16	83165156	Black	16.60	21.20	120.00	11.0	50
EWT-PAT-M25/P21	83165158	Black	22.40	28.50	170.00	16.0	50
EWT-PAT-M32/P29	83165160	Black	25.00	34.20	180.00	21.0	25
EWT-PAT-M40/P36	83165162	Black	32.30	43.50	200.00	29.3	25
EWT-PAT-M50/P48	83165164	Black	44.00	53.30	240.00	37.8	25

Type EWT-PP split-flex®



PRODUCT INFORMATION

The EWT-PP cable protection conduits are made of specially modified polypropylene. The material is phosphor and cadmium-free. For static applications involving light to medium mechanical loads. The EWT-PP cable protection conduits consist of a two-piece slotted corrugated conduit system and feature the following advantages:

- Corrugated conduits can be opened and closed at any time.
- Mounting of pre-assembled cables
- Retrofitting or repair in mechanical and plant engineering

SPECIFICATIONS

- 40 – 130 °C short term 150 °C
- Mod. Polypropylene
- Acc. to UL94 V2 self-extinguishing
- In conformity with IEC EN 61386
Crush resistance: > 700 N

RoHS
 HF
 UV
 Made in Germany

Type	Order No.	Colour	A Ø mm	B Ø mm	R stat. mm	R dyn. mm	Weight kg/100m	Pack m
Standard corrugation								
EWT-PP-M10/P7	83204250	Black	5.70	11.50	55.00	190.00	3.2	50
EWT-PP-M12/P9	83204252	Black	7.90	12.90	60.00	210.00	4.0	50
EWT-PP-M16/P11	83204254	Black	10.40	16.00	75.00	260.00	5.6	50
EWT-PP-M20/P16	83204256	Black	13.90	20.60	85.00	295.00	8.8	50
EWT-PP-M25/P21	83204258	Black	20.60	28.00	130.00	455.00	12.2	50
EWT-PP-M32/P29	83204260	Black	25.60	34.00	140.00	490.00	16.5	25
EWT-PP-M40/P36	83204262	Black	31.80	43.00	160.00	560.00	26.6	25
EWT-PP-M50/P48	83204264	Black	42.50	53.00	170.00	595.00	32.2	25
EWT-PP-70 Jumbo	83261062	Black	60.50	78.00	190.00	655.00	44.0	10

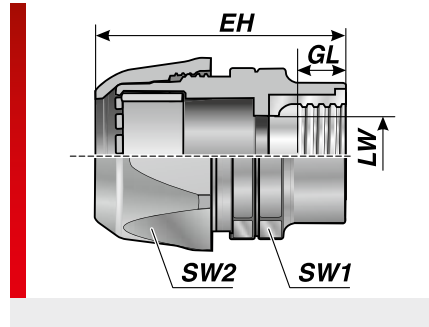


Conduit connection / bulkhead fitting



m-top conduit fitting

Type IVG (metal internal thread)



PRODUCT INFORMATION

The IVG conduit fittings are made of specially modified polyamide 6, thermoplastic elastomer and nickel-plated brass. The materials are halogen, phosphor and cadmium-free. The IVG conduit fittings feature the following advantages:

- Quick assembly, insert conduit, screw upper part tight, done
- No parts can get lost, delivered completely assembled

- Resistant to vibration due to lockable cap nut
- Clamping along entire circumference, ensuring maximum tensile strength.
- High level of tightness at IP 68/69K to 6 bar without any add-on components to DIN IEC 60529/A1

Specification:

- EN 45545-2 3x HL3

SPECIFICATIONS

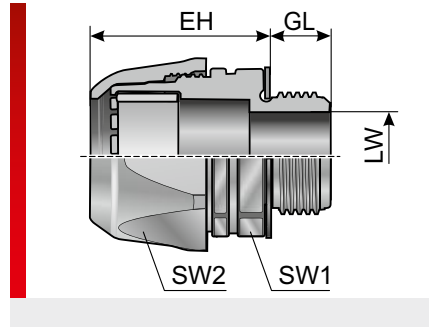
- 40 – 110 °C short term 140 °C
- Fitting: Mod. polyamide PA 6
Connecting thread: Nickel-plated brass
- Acc. to UL94 V0 self-extinguishing
- IP 68 up to 6 bar (IP 69K)



Type	Order No.	Colour	Connecting thread	Suitable for Murrflex	EH mm	GL mm	LW mm	SW 1 / 2 mm	Pack qty.
Metric metal inside threading									
IVG M12-M	83571052	Black	M12x1.5	M12/P09	31.00	8.00	6.50	19.0 / 20.0	50
IVG M16-M	83571054	Black	M16x1,5	M16/P11	37.00	8.00	10.00	22.0 / 25.0	50
IVG M20-M	83571056	Black	M20x1.5	M20/P16	45.00	10.00	14.00	27.0 / 33.0	50
IVG M25-M	83571058	Black	M25x1.5	M25/P21	47.00	10.00	18.30	33.0 / 41.0	50
IVG M32-M	83571060	Black	M32x1.5	M32/P29	56.00	13.00	24.00	43.0 / 50.0	25
IVG M40-M ¹⁾	83571062	Black	M40x1.5	M40/P36	70.00	14.00	33.00	54.0 / 60.0	25
IVG M50-M	83571064	Black	M50x1.5	M50/P48	80.00	15.00	44.00	67.0 / 75.0	10

¹⁾ With CSA approval

Type VG (plastic thread)



PRODUCT INFORMATION

The VG conduit fittings are made of specially modified polyamide 6 and thermoplastic elastomer. The materials are halogen, phosphor and cadmium-free. The VG conduit fittings feature the following advantages:

- Quick assembly, insert conduit, screw upper part tight, done
- No parts can get lost, delivered completely assembled

- Resistant to vibration due to lockable cap nut
- Clamping along entire circumference, ensuring maximum tensile strength.
- High level of tightness at IP 68/69K to 6 bar and without any add-on components to EN 60529

Specification:

- EN 45545-2 3x HL3

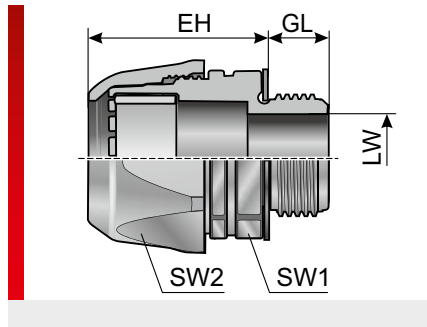
SPECIFICATIONS

- 40 – 110 °C short term 140 °C
- Fitting: Mod. polyamide PA 6
Connecting thread: Mod. polyamide PA 6
- Acc. to UL94 V0 self-extinguishing
- IP 68 up to 6 bar (IP 69K)



Type	Order No.	Colour	Connecting thread	Suitable for Murrflex	EH mm	GL mm	LW mm	SW 1 / 2 mm	Pack qty.
Metric plastic thread									
VG M12-K ⁽¹⁾	83511052	Black	M12x1.5	M12/P09	21.00	12.00	7.20	20.0 / 20.0	50
VG M16-K ⁽¹⁾	83511054	Black	M16x1,5	M16/P11	27.00	12.00	10.50	25.0 / 25.0	50
VG M20-K ⁽¹⁾	83511056	Black	M20x1.5	M20/P16	35.00	13.00	14.60	33.0 / 33.0	50
VG M25-K ⁽¹⁾	83511058	Black	M25x1.5	M25/P21	37.00	13.00	19.00	41.0 / 41.0	50
VG M32-K ⁽¹⁾	83511060	Black	M32x1.5	M32/P29	46.00	14.00	26.00	50.0 / 50.0	25
VG M40-K ⁽²⁾	83511062	Black	M40x1.5	M40/P36	53.00	17.00	33.50	60.0 / 60.0	25
VG M50-K ⁽¹⁾	83511064	Black	M50x1.5	M50/P48	60.00	17.00	41.20	75.0 / 75.0	10
Pg plastic threading									
VG P9-K ⁽¹⁾	83511452	Black	Pg 09	M12/P09	21.00	12.00	7.20	20.0 / 20.0	50
VG P11-K ⁽¹⁾	83511454	Black	Pg 11	M16/P11	27.00	12.00	10.50	25.0 / 25.0	50
VG P16-K ⁽¹⁾	83511456	Black	Pg 16	M20/P16	35.00	13.00	14.60	33.0 / 33.0	50
VG P21-K ⁽¹⁾	83511458	Black	Pg 21	M25/P21	37.00	13.00	22.00	41.0 / 41.0	50
VG P29-K ⁽¹⁾	83511460	Black	Pg 29	M32/P29	46.00	14.00	26.00	50.0 / 50.0	25
VG P36-K ⁽²⁾	83511462	Black	Pg 36	M40/P36	53.00	17.00	33.50	60.0 / 60.0	25
VG P48-K ⁽¹⁾	83511464	Black	Pg 48	M50/P48	60.00	17.00	49.00	75.0 / 75.0	10

Type VG (plastic thread) (Continued...)



Type	Order No.	Colour	Connecting thread	Suitable for Murrflex	EH mm	GL mm	LW mm	SW 1 / 2 mm	Pack qty.
VG P9-K ¹⁾	83511412	Grey	Pg 09	M12/P09	21.00	12.00	7.20	20.0 / 20.0	50
VG P11-K ¹⁾	83511414	Grey	Pg 11	M16/P11	27.00	12.00	10.50	25.0 / 25.0	50
VG P16-K ¹⁾	83511416	Grey	Pg 16	M20/P16	35.00	13.00	14.60	33.0 / 33.0	50
VG P21-K ¹⁾	83511418	Grey	Pg 21	M25/P21	37.00	13.00	22.00	41.0 / 41.0	50
VG P29-K ¹⁾	83511420	Grey	Pg 29	M32/P29	46.00	14.00	26.00	50.0 / 50.0	25
VG P36-K ²⁾	83511422	Grey	Pg 36	M40/P36	53.00	17.00	33.50	60.0 / 60.0	25
VG P48-K ¹⁾	83511424	Grey	Pg 48	M50/P48	60.00	17.00	49.00	75.0 / 75.0	10
NPT plastic threading									
VG N 3/8"-K ¹⁾	83511850	Black	3/8"	M16/P11	27.00	12.00	10.50	25.0 / 25.0	50
VG N 1/2"-K ¹⁾	83511852	Black	1/2"	M20/P16	35.00	13.00	14.60	33.0 / 33.0	50
VG N 3/4"-K ¹⁾	83511854	Black	3/4"	M25/P21	37.00	13.00	19.00	41.0 / 41.0	50
VG N 1"-K ¹⁾	83511856	Black	1"	M32/P29	46.00	14.00	26.00	50.0 / 50.0	25
VG N 1 1/4"-K ²⁾	83511858	Black	1 1/4"	M40/P36	53.00	17.00	33.50	60.0 / 60.0	25
VG N 2"-K ¹⁾	83511860	Black	2"	M50/P48	60.00	17.00	41.20	75.0 / 75.0	10
VG N 3/8"-K ³⁾	83511810	Grey	3/8"	M16/P11	27.00	12.00	10.50	25.0 / 25.0	50
VG N 1/2"-K ¹⁾	83511812	Grey	1/2"	M20/P16	35.00	13.00	14.60	33.0 / 33.0	50
VG N 3/4"-K ¹⁾	83511814	Grey	3/4"	M25/P21	37.00	13.00	19.00	41.0 / 41.0	50
VG N 1"-K ¹⁾	83511816	Grey	1"	M32/P29	46.00	14.00	26.00	50.0 / 50.0	25
VG N 1 1/4"-K ²⁾	83511818	Grey	1 1/4"	M40/P36	53.00	17.00	33.50	60.0 / 60.0	25
VG N 2"-K ⁴⁾	83511820	Grey	2"	M50/P48	60.00	17.00	41.20	75.0 / 75.0	10

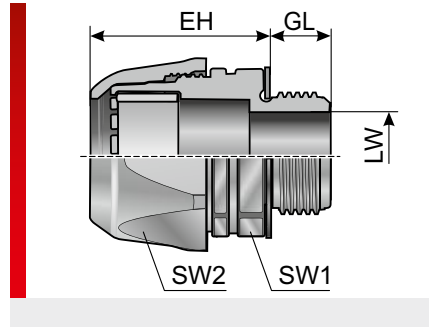
¹⁾ With cURus- approval

²⁾ With CSA- and cURus- approval

³⁾ With cURus approval, - min. order quantity 1000 pcs

⁴⁾ With cURus approval, - min. order quantity 400 pcs

Type VG (metal thread)



PRODUCT INFORMATION

The VG conduit fittings are made of specially modified polyamide 6, thermoplastic elastomer and nickel-plated brass. The materials are halogen, phosphor and cadmium-free. The VG conduit fittings feature the following advantages:

- Quick assembly, insert conduit, screw upper part tight, done
- No parts can get lost, delivered completely assembled

- Resistant to vibration due to lockable cap nut
- Clamping along entire circumference, ensuring maximum tensile strength.
- High level of tightness at IP 68/69K to 6 bar without any add-on components to EN 60529

Specification:

- EN 45545-2 3x HL3

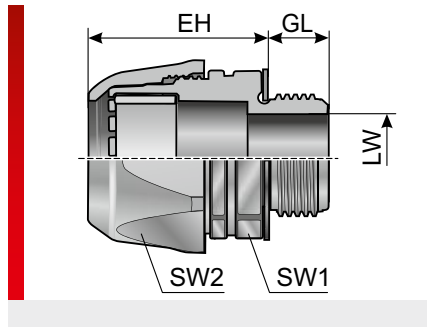
SPECIFICATIONS

- 40 – 110 °C short term 140 °C
- Fitting: Mod. polyamide PA 6
Connecting thread: Nickel-plated brass
- Acc. to UL94 V0 self-extinguishing
- IP 68 up to 6 bar (IP 69K)



Type	Order No.	Colour	Connecting thread	Suitable for Murrflex	EH mm	GL mm	LW mm	SW 1 / 2 mm	Pack qty.
Metric metal thread									
VG M12-M ¹⁾	83511252	Black	M12x1.5	M12/P09	21.00	12.00	7.20	20.0 / 20.0	50
VG M16x1.5/09-M ¹⁾	83511253	Black	M16x1,5	M12/P09	21.00	12.00	10.50	20.0 / 20.0	50
VG M16-M ¹⁾	83511254	Black	M16x1,5	M16/P11	27.00	12.00	10.50	25.0 / 25.0	50
VG M20x1.5/11-M ¹⁾	83511255	Black	M20x1.5	M16/P11	27.00	13.00	14.60	25.0 / 25.0	50
VG M20-M ¹⁾	83511256	Black	M20x1.5	M20/P16	35.00	13.00	14.60	33.0 / 33.0	50
VG M25x1.5/16-M ¹⁾	83511257	Black	M25x1.5	M20/P16	35.00	13.00	19.00	33.0 / 33.0	50
VG M25-M ¹⁾	83511258	Black	M25x1.5	M25/P21	37.00	13.00	19.00	41.0 / 41.0	50
VG M32x1.5/21-M ¹⁾	83511259	Black	M32x1.5	M25/P21	37.00	14.00	26.00	41.0 / 41.0	25
VG M32-M ¹⁾	83511260	Black	M32x1.5	M32/P29	46.00	14.00	26.00	50.0 / 50.0	25
VG M40x1.5/29-M ¹⁾	83511261	Black	M40x1.5	M32/P29	46.00	17.00	33.50	50.0 / 50.0	25
VG M40-M ²⁾	83511262	Black	M40x1.5	M40/P36	53.00	17.00	32.00	60.0 / 60.0	25
VG M50x1.5/36-M ¹⁾	83511263	Black	M50x1.5	M40/P36	53.00	17.00	41.20	60.0 / 60.0	10
VG M50-M ¹⁾	83511264	Black	M50x1.5	M50/P48	60.00	17.00	41.20	75.0 / 75.0	10
VG M63x1.5/48-M ¹⁾	83511266	Black	M63x1.5	M50/P48	60.00	17.00	50.30	75.0 / 75.0	10
VG M12-M ¹⁾	83511212	Grey	M12x1.5	M12/P09	21.00	12.00	7.20	20.0 / 20.0	50
VG M16-M ¹⁾	83511214	Grey	M16x1,5	M16/P11	27.00	12.00	10.50	25.0 / 25.0	50
VG M20-M ¹⁾	83511216	Grey	M20x1.5	M20/P16	35.00	13.00	14.60	33.0 / 33.0	50
VG M25-M ¹⁾	83511218	Grey	M25x1.5	M25/P21	37.00	13.00	19.00	41.0 / 41.0	50
VG M32-M ¹⁾	83511220	Grey	M32x1.5	M32/P29	46.00	14.00	26.00	50.0 / 50.0	25
VG M40-M ²⁾	83511222	Grey	M40x1.5	M40/P36	53.00	17.00	32.00	60.0 / 60.0	25
VG M50-M ¹⁾	83511224	Grey	M50x1.5	M50/P48	60.00	17.00	41.20	75.0 / 75.0	10
VG M63x1.5/48-M ¹⁾	83511226	Grey	M63x1.5	M50/P48	60.00	17.00	50.30	75.0 / 75.0	10

Type VG (metal thread) (Continued...)

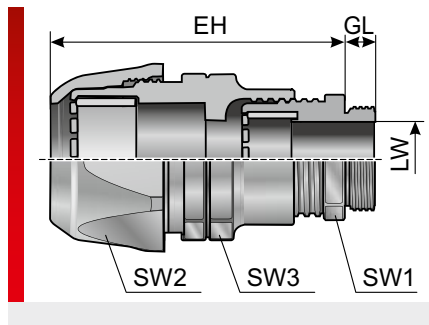


Type	Order No.	Colour	Connecting thread	Suitable for Murrflex	EH mm	GL mm	LW mm	SW 1 / 2 mm	Pack qty.
Pg-metal threading									
VG P9-M ¹⁾	83511652	Black	Pg 09	M12/P09	21.00	12.00	7.20	20.0 / 20.0	50
VG P11-M ¹⁾	83511654	Black	Pg 11	M16/P11	27.00	12.00	10.50	25.0 / 25.0	50
VG P16-M ¹⁾	83511656	Black	Pg 16	M20/P16	35.00	13.00	14.60	33.0 / 33.0	50
VG P21-M ¹⁾	83511658	Black	Pg 21	M25/P21	37.00	13.00	19.00	41.0 / 41.0	50
VG P29-M ¹⁾	83511660	Black	Pg 29	M32/P29	46.00	14.00	26.00	50.0 / 50.0	25
VG P36-M ²⁾	83511662	Black	Pg 36	M40/P36	53.00	17.00	33.50	60.0 / 60.0	25
VG P48-M ¹⁾	83511664	Black	Pg 48	M50/P48	60.00	17.00	41.20	75.0 / 75.0	10
Grey variants									
VG P9-M ¹⁾	83511612	Grey	Pg 09	M12/P09	21.00	12.00	7.20	20.0 / 20.0	50
VG P11-M ¹⁾	83511614	Grey	Pg 11	M16/P11	27.00	12.00	10.50	25.0 / 25.0	50
VG P16-M ¹⁾	83511616	Grey	Pg 16	M20/P16	35.00	13.00	14.60	33.0 / 33.0	50
VG P21-M ¹⁾	83511618	Grey	Pg 21	M25/P21	37.00	13.00	19.00	41.0 / 41.0	50
VG P29-M ¹⁾	83511620	Grey	Pg 29	M32/P29	46.00	14.00	26.00	50.0 / 50.0	25
VG P36-M ²⁾	83511622	Grey	Pg 36	M40/P36	53.00	17.00	33.50	60.0 / 60.0	25
VG P48-M ¹⁾	83511624	Grey	Pg 48	M50/P48	60.00	17.00	41.20	75.0 / 75.0	10
NPT metal threading									
VG N 3/8"-M ¹⁾	83512050	Black	3/8"	M16/P11	27.00	12.00	10.50	25.0 / 25.0	50
VG N 1/2"-M ¹⁾	83512052	Black	1/2"	M20/P16	35.00	13.00	14.60	33.0 / 33.0	50
VG N 3/4"-M ¹⁾	83512054	Black	3/4"	M25/P21	37.00	13.00	19.00	41.0 / 41.0	50
VG N 1"-M ¹⁾	83512056	Black	1"	M32/P29	46.00	14.00	26.00	50.0 / 50.0	25
VG N 1 1/4"-M ²⁾	83512058	Black	1 1/4"	M40/P36	53.00	17.00	33.50	60.0 / 60.0	25
VG N 2"-M ¹⁾	83512060	Black	2"	M50/P48	60.00	17.00	41.20	75.0 / 75.0	10
Grey variants									
VG N 3/8"-M ¹⁾	83512010	Grey	3/8"	M16/P11	27.00	12.00	10.50	25.0 / 25.0	50
VG N 1/2"-M ¹⁾	83512012	Grey	1/2"	M20/P16	35.00	13.00	14.60	33.0 / 33.0	50
VG N 3/4"-M ¹⁾	83512014	Grey	3/4"	M25/P21	37.00	13.00	19.00	41.0 / 41.0	50
VG N 1"-M ¹⁾	83512016	Grey	1"	M32/P29	46.00	14.00	26.00	50.0 / 50.0	25
VG N 1 1/4"-M ²⁾	83512018	Grey	1 1/4"	M40/P36	53.00	17.00	33.50	60.0 / 60.0	25
VG N 2"-M ¹⁾	83512020	Grey	2"	M50/P48	60.00	17.00	41.20	75.0 / 75.0	10

¹⁾ With cURus- approval

²⁾ With CSA- and cURus- approval

Type CVG (conduit and cable fitting, plastic thread)



PRODUCT INFORMATION

The CVG combined conduit and cable fittings are made of specially modified polyamide 6 and thermoplastic elastomer. The materials are halogen, phosphor and cadmium-free.

The CVG combined conduit and cable fittings feature the following advantages:

- Quick assembly, insert conduit, screw upper part tight, done
- No parts can get lost, delivered completely assembled

- Resistant to vibration due to lockable cap nut
- Clamping along entire circumference, ensuring maximum tensile strength.
- Optimum strain relief for the cable
- High level of tightness at IP 68/69K to 6 bar without any add-on components to EN 60529

Specification:

- EN 45545-2 3x HL3

SPECIFICATIONS

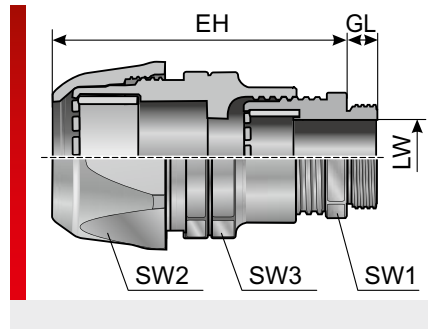
- 40 – 110 °C short term 140 °C
- Fitting: Mod. polyamide PA 6
Connecting thread: Mod. polyamide PA 6
- Acc. to UL94 V0 self-extinguishing
- IP 68 up to 6 bar (IP 69K)



Type	Order No.	Colour	Connecting thread	Suitable for Murrflex	EH mm	GL mm	Clamping range (LW) mm	SW 1 / 2 / 3 mm	Pack qty.
Metric plastic thread									
CVG M12-K	83531050	Black	M12x1.5	M12/P09	39.00	8.00	3.0 – 6.5	15.0 / 20.0 / 20.0	50
CVG M16-K	83531052	Black	M16x1,5	M16/P11	45.00	8.00	4.0 – 8.0	22.0 / 25.0 / 25.0	50
CVG M20-K	83531056	Black	M20x1.5	M20/P16	55.00	9.00	6.0 – 12.0	24.0 / 33.0 / 33.0	50
CVG M25-K	83531058	Black	M25x1.5	M25/P21	57.00	11.00	13.0 – 18.0	33.0 / 42.0 / 40.0	50
CVG M32-K	83531060	Black	M32x1.5	M32/P29	69.00	11.00	18.0 – 25.0	42.0 / 50.0 / 50.0	25
CVG M40-K ¹⁾	83531062	Black	M40x1.5	M40/P36	84.00	13.00	22.0 – 32.0	53.0 / 60.0 / 60.0	25
CVG M63-K	83531064	Black	M63x1.5	M50/P48	94.00	14.00	37.0 – 44.0	60.0 / 75.0 / 73.0	10

¹⁾With CSA approval

Type CVG EMV (conduit and cable fitting, metal thread)



PRODUCT INFORMATION

The CVG EMV combined conduit and cable fittings are made of specially modified polyamide 6, thermoplastic elastomer and nickel-plated brass. The materials are halogen, phosphor and cadmium-free.

The CVG EMV combined conduit and cable fittings feature the following advantages:

- Quick assembly, insert conduit, screw upper part tight, done
- No parts can get lost, delivered completely assembled

- Resistant to vibration due to lockable cap nut
- Clamping along entire circumference, ensuring maximum tensile strength.
- Optimum strain relief for the cable
- High level of tightness at IP 68/69K to 6 bar without any add-on components to EN 60529

Specification:

- EN 45545-2 3x HL3

SPECIFICATIONS

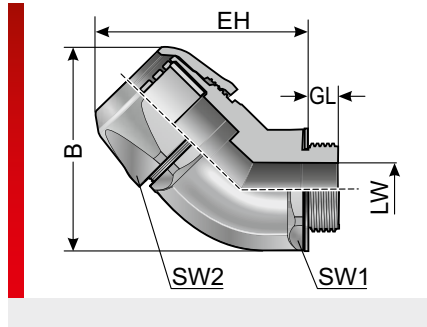
	-40 – 110 °C short term 140 °C
	Fitting: Mod. polyamide PA 6 Connecting thread: Nickel-plated brass
	Acc. to UL94 V0 self-extinguishing
	IP 68 up to 6 bar (IP 69K)



Type	Order No.	Colour	Connecting thread	Suitable for Murrflex	EH mm	GL mm	Clamping range (LW) mm	SW 1 / 2 / 3 mm	Pack qty.
Metric metal thread / EMC version									
CVG M12 EMV	83551050	Black	M12x1.5	M12/P09	39.00	6.50	3.0 – 6.5	14.0 / 20.0 / 20.0	50
CVG M16 EMV	83551052	Black	M16x1.5	M16/P11	45.00	6.00	5.0 – 8.0	20.0 / 25.0 / 25.0	50
CVG M20 EMV	83551056	Black	M20x1.5	M20/P16	55.00	6.00	10.0 – 14.0	24.0 / 33.0 / 33.0	50
CVG M25 EMV	83551058	Black	M25x1.5	M25/P21	57.00	7.00	13.0 – 18.0	30.0 / 42.0 / 40.0	50
CVG M32 EMV	83551060	Black	M32x1.5	M32/P29	69.00	8.00	18.0 – 25.0	40.0 / 50.0 / 50.0	25
CVG M40 EMV ¹⁾	83551062	Black	M40x1.5	M40/P36	84.00	8.00	22.0 – 32.0	50.0 / 60.0 / 60.0	25
CVG M50-EMV	83551063	Black	M50x1.5	M50/P48	94.00	10.00	37.0 – 44.0	68.0 / 75.0 / 75.0	10
CVG M63 EMV	83551064	Black	M63x1.5	M50/P48	94.00	10.00	37.0 – 44.0	68.0 / 75.0 / 75.0	10
Metric metal thread / EMC version with extended thread									
CVG/L M12 EMV	83551650	Black	M12x1.5	M12/P09	39.00	10.00	3.0 – 6.5	14.0 / 20.0 / 20.0	50
CVG/L M16 EMV	83551652	Black	M16x1.5	M16/P11	45.00	10.00	5.0 – 10.0	20.0 / 25.0 / 25.0	50
CVG/L M20 EMV	83551656	Black	M20x1.5	M20/P16	55.00	10.00	10.0 – 14.0	24.0 / 33.0 / 33.0	50
CVG/L M25 EMV	83551658	Black	M25x1.5	M25/P21	57.00	12.00	13.0 – 18.0	33.0 / 41.0 / 40.0	50
CVG/L M32 EMV	83551660	Black	M32x1.5	M32/P29	69.00	12.00	18.0 – 25.0	40.0 / 50.0 / 50.0	25
CVG/L M40 EMV ¹⁾	83551662	Black	M40x1.5	M40/P36	84.00	15.00	22.0 – 32.0	50.0 / 60.0 / 60.0	25
CVG/L M50-EMV	83551663	Black	M50x1.5	M50/P48	94.00	15.00	37.0 – 44.0	68.0 / 75.0 / 75.0	10

¹⁾With CSA approval

Type VW 45° (plastic thread)



PRODUCT INFORMATION

The VW 45° conduit fittings are made of specially modified polyamide 6 and thermo-plastic elastomer. The materials are halogen, phosphor and cadmium-free. The VW 45° conduit fittings feature the following advantages:

- Quick assembly, insert conduit, screw upper part tight, done
- No parts can get lost, delivered completely assembled

- Resistant to vibration due to lockable cap nut
- Clamping along entire circumference, ensuring maximum tensile strength.
- High level of tightness at IP 68/69K without any add-on components to EN 60529

Specification:

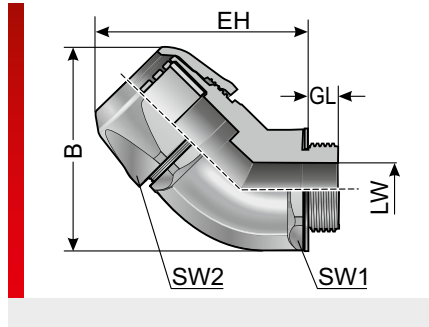
- EN 45545-2 3x HL3

SPECIFICATIONS

- 40 – 110 °C short term 140 °C
- Fitting: Mod. polyamide PA 6
Connecting thread: Mod. polyamide PA 6
- Acc. to UL94 V0 self-extinguishing
- IP 68 up to 6 bar (IP 69K)

Type	Order No.	Colour	Connecting thread	Suitable for Murrflex	EH mm	GL mm	LW mm	B mm	SW 1 / 2 mm	Pack qty.
Metric plastic thread										
VW 45 M12-K ¹⁾	83513052	Black	M12x1.5	M12/P09	38.00	12.00	7.20	36.00	21.0 / 21.0	50
VW 45 M16-K ¹⁾	83513054	Black	M16x1,5	M16/P11	45.00	12.00	10.50	43.00	27.0 / 27.0	50
VW 45 M20-K ¹⁾	83513056	Black	M20x1.5	M20/P16	56.00	13.00	14.60	52.00	34.0 / 34.0	50
VW 45 M25-K ¹⁾	83513058	Black	M25x1.5	M25/P21	65.00	13.00	18.70	65.00	41.0 / 41.0	25
VW 45 M32-K ¹⁾	83513060	Black	M32x1.5	M32/P29	77.00	14.00	25.50	79.00	50.0 / 50.0	25
VW 45 M40-K ²⁾	83513062	Black	M40x1.5	M40/P36	90.00	17.00	33.00	95.00	60.0 / 60.0	25
VW 45 M50-K ¹⁾	83513064	Black	M50x1.5	M50/P48	105.00	17.00	42.00	115.00	75.0 / 75.0	10
Pg plastic threading										
VW 45 P9-K ¹⁾	83513452	Black	Pg 09	M12/P09	38.00	12.00	7.20	36.00	21.0 / 21.0	50
VW 45 P11-K ¹⁾	83513454	Black	Pg 11	M16/P11	45.00	12.00	10.50	43.00	27.0 / 27.0	50
VW 45 P16-K ¹⁾	83513456	Black	Pg 16	M20/P16	56.00	13.00	14.60	52.00	34.0 / 34.0	50
VW 45 P21-K ¹⁾	83513458	Black	Pg 21	M25/P21	65.00	13.00	18.70	65.00	41.0 / 41.0	25
VW 45 P29-K ¹⁾	83513460	Black	Pg 29	M32/P29	77.00	14.00	25.50	79.00	50.0 / 50.0	25
VW 45 P36-K ²⁾	83513462	Black	Pg 36	M40/P36	90.00	17.00	33.00	95.00	60.0 / 60.0	25
VW 45 P48-K ¹⁾	83513464	Black	Pg 48	M50/P48	105.00	17.00	42.00	115.00	75.0 / 75.0	10

Type VW 45° (plastic thread) (Continued...)

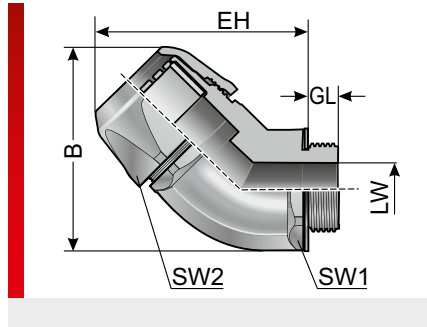


Type	Order No.	Colour	Connecting thread	Suitable for Murrflex	EH mm	GL mm	LW mm	B mm	SW 1 / 2 mm	Pack qty.
VW 45 P9-K ¹⁾	83513412	Grey	Pg 09	M12/P09	38.00	12.00	7.20	36.00	21.0 / 21.0	50
VW 45 P11-K ¹⁾	83513414	Grey	Pg 11	M16/P11	45.00	12.00	10.50	43.00	27.0 / 27.0	50
VW 45 P16-K ¹⁾	83513416	Grey	Pg 16	M20/P16	56.00	13.00	14.60	52.00	34.0 / 34.0	50
VW 45 P21-K ¹⁾	83513418	Grey	Pg 21	M25/P21	65.00	13.00	18.70	65.00	41.0 / 41.0	25
VW 45 P29-K ¹⁾	83513420	Grey	Pg 29	M32/P29	77.00	14.00	25.50	79.00	50.0 / 50.0	25
VW 45 P36-K ²⁾	83513422	Grey	Pg 36	M40/P36	90.00	17.00	33.00	95.00	60.0 / 60.0	25
VW 45 P48-K ¹⁾	83513424	Grey	Pg 48	M50/P48	105.00	17.00	42.00	115.00	75.0 / 75.0	10
NPT plastic threading										
VW 45 NPT 3/8"-K ¹⁾	83513850	Black	3/8"	M16/P11	45.00	12.00	10.50	43.00	25.0 / 25.0	50
VW 45 NPT 1/2"-K ¹⁾	83513852	Black	1/2"	M20/P16	56.00	13.00	14.60	52.00	33.0 / 33.0	50
VW 45 NPT 3/4"-K ¹⁾	83513854	Black	3/4"	M25/P21	65.00	13.00	18.70	65.00	41.0 / 41.0	25
VW 45 NPT 1"-K ¹⁾	83513856	Black	1"	M32/P29	77.00	14.00	25.50	79.00	50.0 / 50.0	25
VW 45 NPT 1 1/4"-K ²⁾	83513858	Black	1 1/4"	M40/P36	90.00	17.00	33.00	95.00	60.0 / 60.0	25
VW 45 NPT 2"-K ¹⁾	83513860	Black	2"	M50/P48	105.00	17.00	42.00	115.00	75.0 / 75.0	10
VW 45 NPT 3/8"-K ¹⁾	83513810	Grey	3/8"	M16/P11	45.00	12.00	10.50	43.00	25.0 / 25.0	50
VW 45 NPT 1/2"-K ¹⁾	83513812	Grey	1/2"	M20/P16	56.00	13.00	14.60	52.00	33.0 / 33.0	50
VW 45 NPT 3/4"-K ¹⁾	83513814	Grey	3/4"	M25/P21	65.00	13.00	18.70	65.00	41.0 / 41.0	25
VW 45 NPT 1"-K ¹⁾	83513816	Grey	1"	M32/P29	77.00	14.00	25.50	79.00	50.0 / 50.0	25
VW 45 NPT 1 1/4"-K ²⁾	83513818	Grey	1 1/4"	M40/P36	90.00	17.00	33.00	95.00	60.0 / 60.0	25
VW 45 NPT 2"-K ¹⁾	83513820	Grey	2"	M50/P48	105.00	17.00	42.00	115.00	75.0 / 75.0	10

¹⁾ With cURus- approval

²⁾ With CSA- and cURus- approval

Type VW 45° (metal thread)



PRODUCT INFORMATION

The VW 45° conduit fittings are made of specially modified polyamide 6, thermo-plastic elastomer and nickel-plated brass. The materials are halogen, phosphor and cadmium-free.

The VW 45° conduit fittings feature the following advantages:

- Quick assembly, insert conduit, screw upper part tight, done
- No parts can get lost, delivered completely assembled

- Resistant to vibration due to lockable cap nut
- Clamping along entire circumference, ensuring maximum tensile strength.
- High level of tightness at IP 68/69K to 6 bar without any add-on components to EN 60529

Specification:

- EN 45545-2 3x HL3

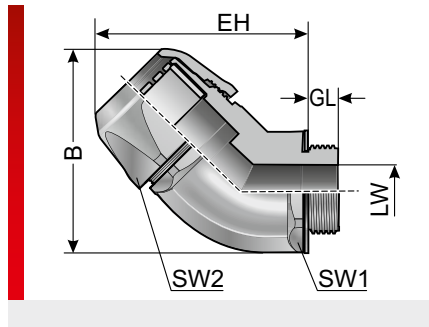
SPECIFICATIONS

- 40 – 110 °C short term 140 °C
- Fitting: Mod. polyamide PA 6
Connecting thread: Nickel-plated brass
- Acc. to UL94 V0 self-extinguishing
- IP 68 up to 6 bar (IP 69K)

RoHS
 HF
 EU
 UL
 cULus
 Made in Germany

Type	Order No.	Colour	Connecting thread	Suitable for Murrflex	EH mm	GL mm	LW mm	B mm	SW 1 / 2 mm	Pack qty.
Metric metal thread										
VW 45 M12-M ¹⁾	83513252	Black	M12x1.5	M12/P09	38.00	12.00	7.20	36.00	21.0 / 21.0	50
VW 45 M16-M ¹⁾	83513254	Black	M16x1,5	M16/P11	45.00	12.00	10.50	43.00	27.0 / 27.0	50
VW 45 M20-M ¹⁾	83513256	Black	M20x1.5	M20/P16	56.00	13.00	14.60	52.00	34.0 / 34.0	50
VW 45 M25-M ¹⁾	83513258	Black	M25x1.5	M25/P21	65.00	13.00	18.70	65.00	41.0 / 41.0	25
VW 45 M32-M ¹⁾	83513260	Black	M32x1.5	M32/P29	77.00	14.00	25.50	79.00	50.0 / 50.0	25
VW 45 M40-M ²⁾	83513262	Black	M40x1.5	M40/P36	90.00	17.00	33.00	95.00	60.0 / 60.0	25
VW 45 M50-M ¹⁾	83513264	Black	M50x1.5	M50/P48	105.00	17.00	42.00	115.00	75.0 / 75.0	10
Pg-metal threading										
VW 45 P9-M ¹⁾	83513652	Black	Pg 09	M12/P09	38.00	12.00	7.20	36.00	21.0 / 21.0	50
VW 45 P11-M ¹⁾	83513654	Black	Pg 11	M16/P11	45.00	12.00	10.50	43.00	27.0 / 27.0	50
VW 45 P16-M ¹⁾	83513656	Black	Pg 16	M20/P16	56.00	13.00	14.70	52.00	34.0 / 34.0	50
VW 45 P21-M ¹⁾	83513658	Black	Pg 21	M25/P21	65.00	13.00	18.70	65.00	41.0 / 41.0	25
VW 45 P29-M ¹⁾	83513660	Black	Pg 29	M32/P29	77.00	14.00	25.50	79.00	50.0 / 50.0	25
VW 45 P36-M ²⁾	83513662	Black	Pg 36	M40/P36	90.00	17.00	33.00	95.00	60.0 / 60.0	25
VW 45 P48-M ¹⁾	83513664	Black	Pg 48	M50/P48	105.00	17.00	42.00	115.00	75.0 / 75.0	10

Type VW 45° (metal thread) (Continued...)



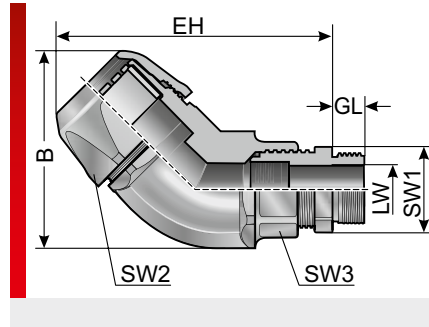
Type	Order No.	Colour	Connecting thread	Suitable for Murrflex	EH mm	GL mm	LW mm	B mm	SW 1 / 2 mm	Pack qty.
VW 45 P9-M ¹⁾	83513612	Grey	Pg 09	M12/P09	38.00	12.00	7.20	36.00	21.0 / 21.0	50
VW 45 P11-M ¹⁾	83513614	Grey	Pg 11	M16/P11	45.00	12.00	10.50	43.00	27.0 / 27.0	50
VW 45 P16-M ¹⁾	83513616	Grey	Pg 16	M20/P16	56.00	13.00	14.70	52.00	34.0 / 34.0	50
VW 45 P21-M ¹⁾	83513618	Grey	Pg 21	M25/P21	65.00	13.00	18.70	65.00	41.0 / 41.0	25
VW 45 P29-M ¹⁾	83513620	Grey	Pg 29	M32/P29	77.00	14.00	25.50	79.00	50.0 / 50.0	25
VW 45 P36-M ²⁾	83513622	Grey	Pg 36	M40/P36	90.00	17.00	33.00	95.00	60.0 / 60.0	25
VW 45 P48-M ¹⁾	83513624	Grey	Pg 48	M50/P48	105.00	17.00	42.00	115.00	75.0 / 75.0	10
NPT metal threading										
VW 45 NPT 3/8"-M ¹⁾	83514050	Black	3/8"	M16/P11	45.00	12.00	10.50	43.00	24.0 / 24.0	50
VW 45 NPT 1/2"-M ¹⁾	83514052	Black	1/2"	M20/P16	56.00	13.00	14.60	52.00	33.0 / 33.0	50
VW 45 NPT 3/4"-M ¹⁾	83514054	Black	3/4"	M25/P21	65.00	13.00	18.70	65.00	41.0 / 41.0	25
VW 45 NPT 1"-M ¹⁾	83514056	Black	1"	M32/P29	77.00	14.00	25.50	79.00	50.0 / 50.0	25
VW 45 NPT 1 1/4"-M ²⁾	83514058	Black	1 1/4"	M40/P36	90.00	17.00	33.00	95.00	60.0 / 60.0	25
VW 45 NPT 2"-M ¹⁾	83514060	Black	2"	M50/P48	105.00	17.00	42.00	115.00	75.0 / 75.0	10
VW 45 NPT 3/8"-M ¹⁾	83514010	Grey	3/8"	M16/P11	45.00	12.00	10.50	43.00	24.0 / 24.0	50
VW 45 NPT 1/2"-M ¹⁾	83514012	Grey	1/2"	M20/P16	56.00	13.00	14.60	52.00	33.0 / 33.0	50
VW 45 NPT 3/4"-M ¹⁾	83514014	Grey	3/4"	M25/P21	65.00	13.00	18.70	65.00	41.0 / 41.0	25
VW 45 NPT 1"-M ¹⁾	83514016	Grey	1"	M32/P29	77.00	14.00	25.50	79.00	50.0 / 50.0	25
VW 45 NPT 1 1/4"-M ²⁾	83514018	Grey	1 1/4"	M40/P36	90.00	17.00	33.00	95.00	60.0 / 60.0	25
VW 45 NPT 2"-M ¹⁾	83514020	Grey	2"	M50/P48	105.00	17.00	42.00	115.00	75.0 / 75.0	10

¹⁾With cURus- approval

²⁾With CSA- and cURus- approval

³⁾With cURus approval, - min. order quantity 750 pcs

Type CVW 45° (conduit and cable fitting, plastic thread)



PRODUCT INFORMATION

The CVW 45° combined conduit and cable fittings are made of specially modified polyamide 6 and thermoplastic elastomer. The materials are halogen, phosphor and cadmium-free.

The CVW 45° combined conduit and cable fittings feature the following advantages:

- Quick assembly, insert conduit, screw upper part tight, done
- No parts can get lost, delivered completely assembled

- Resistant to vibration due to lockable cap nut
- Clamping along entire circumference, ensuring maximum tensile strength.
- Optimum strain relief for the cable
- High level of tightness at IP 68/69K to 6 bar without any add-on components to EN 60529

Specification:

- EN 45545-2 3x HL3

SPECIFICATIONS

- 40 – 110 °C short term 140 °C
- Fitting: Mod. polyamide PA 6
Connecting thread: Mod. polyamide PA 6
- Acc. to UL94 V0 self-extinguishing
- IP 68 up to 6 bar (IP 69K)

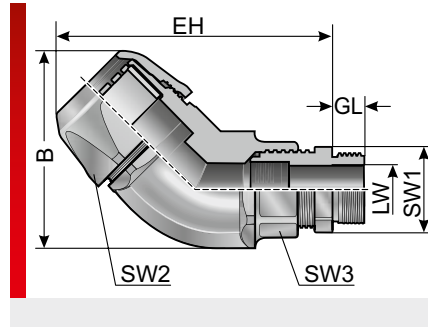


Type	Order No.	Colour	Connecting thread	Suitable for Murrflex	EH mm	GL mm	B mm	Clamping range (LW) mm	SW 1 / 2 / 3 mm	Pack qty.
Metric plastic thread										
CVW 45 M12-K	83531250	Black	M12x1.5	M12/P09	55.00	8.00	36.00	3.0 – 6.5	15.0 / 20.0 / 20.0	50
CVW 45 M16-K	83531252	Black	M16x1,5	M16/P11	63.00	8.00	43.00	4.0 – 8.0	22.0 / 24.0 / 22.0	50
CVW 45 M20-K	83531256	Black	M20x1.5	M20/P16	77.00	9.00	52.00	6.0 – 12.0	24.0 / 33.0 / 27.0	50
CVW 45 M25-K	83531258	Black	M25x1.5	M25/P21	87.00	11.00	65.00	13.0 – 18.0	33.0 / 41.0 / 33.0	25
CVW 45 M32-K	83531260	Black	M32x1.5	M32/P29	102.00	11.00	79.00	18.0 – 25.0	42.0 / 50.0 / 42.0	25
CVW 45 M40-K ¹⁾	83531262	Black	M40x1.5	M40/P36	123.00	13.00	95.00	22.0 – 35.0	53.0 / 60.0 / 53.0	25
CVW 45 M63-K ²⁾	83531264	Black	M63x1.5	M50/P48	138.00	14.00	115.00	37.0 – 44.0	68.0 / 75.0 / 68.0	10

¹⁾With CSA approval

²⁾No stock goods, delivery time and minimum order quantities upon request

Type CVW 45° EMV (conduit and cable fitting, metal thread)



PRODUCT INFORMATION

The CVW 45° EMV combined conduit and cable fittings are made of specially modified polyamide 6, thermoplastic elastomer and nickel-plated brass. The materials are halogen, phosphor and cadmium-free. The CVW 45° EMV combined conduit and cable fittings feature the following advantages:

- Quick assembly, insert conduit, screw upper part tight, done
- No parts can get lost, delivered completely assembled

- Resistant to vibration due to lockable cap nut
- Clamping along entire circumference, ensuring maximum tensile strength.
- Optimum strain relief for the cable
- High level of tightness at IP 68/69K to 6 bar without any add-on components to EN 60529

Specification:

- EN 45545-2 3x HL3

SPECIFICATIONS

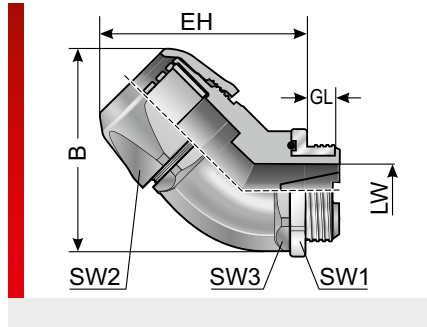
- 40 – 110 °C short term 140 °C
- Fitting: Mod. polyamide PA 6
Connecting thread: Nickel-plated brass
- Acc. to UL94 V0 self-extinguishing
- IP 68 up to 6 bar (IP 69K)

RoHS
 HF
 CE
 SE
 Made in Germany

Type	Order No.	Colour	Connecting thread	Suitable for Murrflex	EH mm	GL mm	B mm	Clamping range (LW) mm	SW 1 / 2 / 3 mm	Pack qty.
Metric metal thread / EMC version										
CVW 45 M12 EMV	83551250	Black	M12x1.5	M12/P09	55.00	5.00	36.00	3.0 – 6.5	14.0 / 20.0 / 20.0	50
CVW 45 M16 EMV	83551252	Black	M16x1.5	M16/P11	63.00	6.00	43.00	5.0 – 10.0	20.0 / 25.0 / 22.0	50
CVW 45 M20 EMV	83551256	Black	M20x1.5	M20/P16	77.00	6.00	52.00	10.0 – 14.0	24.0 / 33.0 / 27.0	50
CVW 45 M25 EMV	83551258	Black	M25x1.5	M25/P21	87.00	7.00	65.00	13.0 – 18.0	30.0 / 41.0 / 33.0	25
CVW 45 M32 EMV	83551260	Black	M32x1.5	M32/P29	102.00	8.00	75.00	18.0 – 24.0	40.0 / 50.0 / 43.0	25
CVW 45 M40 EMV ¹⁾	83551262	Black	M40x1.5	M40/P36	123.00	8.00	95.00	22.0 – 31.0	50.0 / 60.0 / 53.0	25
CVW 45 M63 EMV	83551264	Black	M63x1.5	M50/P48	138.00	10.00	115.00	37.0 – 44.0	68.0 / 75.0 / 68.0	10

¹⁾With CSA approval

Type DVW 45° (360° rotatable conduit fitting, metal thread)



PRODUCT INFORMATION

The DVW 45° conduit fittings are rotatable through 360° and made of specially modified polyamide 6, thermoplastic elastomer and nickel-plated brass. The materials are halogen, phosphor and cadmium-free. The DVW 45° rotatable conduit fittings feature the following advantages:

- Quick assembly, insert conduit, screw upper part tight, done
- No parts can get lost, delivered completely assembled

- Resistant to vibration due to lockable cap nut
- Clamping along entire circumference, ensuring maximum tensile strength.
- High level of tightness at IP 68/69K to 6 bar without any add-on components to EN 60529

Specification:

- EN 45545-2 3x HL3

SPECIFICATIONS

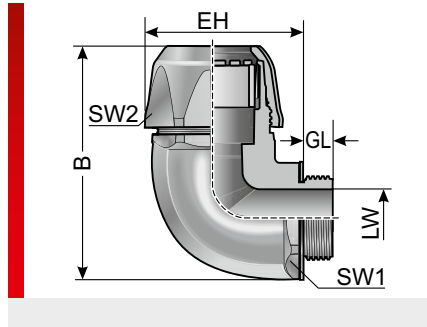
- 40 – 110 °C short term 140 °C
- Fitting: Mod. polyamide PA 6
Connecting thread: Nickel-plated brass
- Acc. to UL94 V0 self-extinguishing
- IP 68 up to 6 bar (IP 69K)

RoHS
 HF
 CE
 UL
 Made in Germany

Type	Order No.	Colour	Connecting thread	Suitable for Murrflex	EH mm	GL mm	LW mm	B mm	SW 1 / 2 / 3 mm	Pack qty.
Metric metal thread										
DVW 45 M16/P9-M	83493252	Black	M16x1,5	M12/P09	41.00	11.20	7.20	36.40	21.0 / 21.0 / 21.0	50
DVW 45 M20/P11-M	83493254	Black	M20x1.5	M16/P11	49.10	11.20	10.50	44.60	27.0 / 27.0 / 27.0	50
DVW 45 M25/P16-M	83493256	Black	M25x1.5	M20/P16	59.10	12.20	14.70	55.40	34.0 / 34.0 / 34.0	25
DVW 45 M32/P21-M	83493258	Black	M32x1.5	M25/P21	68.20	12.20	18.70	67.10	41.0 / 41.0 / 41.0	25
DVW 45 M40/P29-M	83493260	Black	M40x1.5	M32/P29	80.30	13.20	25.50	79.20	50.0 / 50.0 / 50.0	25
DVW 45 M50/P36-M ¹⁾	83493262	Black	M50x1.5	M40/P36	92.10	17.20	33.00	93.70	60.0 / 60.0 / 60.0	10
DVW 45 M63/P48-M	83493264	Black	M63x1.5	M50/P48	107.70	17.50	41.20	114.20	75.0 / 75.0 / 75.0	10

¹⁾With CSA approval

Type VW 90° (plastic thread)



PRODUCT INFORMATION

The VW 90° conduit fittings are made of specially modified polyamide 6 and thermo-plastic elastomer. The materials are halogen, phosphor and cadmium-free.

The VW 90° conduit fittings feature the following advantages:

- Quick assembly, insert conduit, screw upper part tight, done
- No parts can get lost, delivered completely assembled

- Resistant to vibration due to lockable cap nut
- Clamping along entire circumference, ensuring maximum tensile strength.
- High level of tightness at IP 68/69K to 6 bar without any add-on components to EN 60529

Specification:

- EN 45545-2 3x HL3

SPECIFICATIONS

- 40 – 110 °C short term 140 °C
- Fitting: Mod. polyamide PA 6
Connecting thread: Mod. polyamide PA 6
- Acc. to UL94 V0 self-extinguishing
- IP 68 up to 6 bar (IP 69K)



Type	Order No.	Colour	Connecting thread	Suitable for Murrflex	EH mm	GL mm	LW mm	B mm	SW 1 / 2 mm	Pack qty.
Metric plastic thread										
VW 90 M12-K ¹⁾	83515052	Black	M12x1.5	M12/P09	29.00	12.00	7.20	45.00	21.0 / 21.0	50
VW 90 M16-K ¹⁾	83515054	Black	M16x1,5	M16/P11	35.00	12.00	10.50	55.00	27.0 / 27.0	50
VW 90 M20-K ¹⁾	83515056	Black	M20x1.5	M20/P16	45.00	13.00	14.70	67.00	34.0 / 34.0	50
VW 90 M25-K ¹⁾	83515058	Black	M25x1.5	M25/P21	55.00	13.00	18.70	78.00	41.0 / 41.0	25
VW 90 M32-K ¹⁾	83515060	Black	M32x1.5	M32/P29	65.00	15.00	25.50	92.00	50.0 / 50.0	25
VW 90 M40-K ²⁾	83515062	Black	M40x1.5	M40/P36	75.00	17.00	33.00	109.00	60.0 / 60.0	25
VW 90 M50-K ¹⁾	83515064	Black	M50x1.5	M50/P48	93.00	17.00	42.00	134.00	75.0 / 75.0	10
Pg plastic threading										
VW 90 P9-K ¹⁾	83515452	Black	Pg 09	M12/P09	29.00	12.00	7.20	45.00	21.0 / 21.0	50
VW 90 P11-K ¹⁾	83515454	Black	Pg 11	M16/P11	35.00	12.00	10.50	55.00	27.0 / 27.0	50
VW 90 P16-K ¹⁾	83515456	Black	Pg 16	M20/P16	45.00	13.00	14.70	67.00	34.0 / 34.0	50
VW 90 P21-K ¹⁾	83515458	Black	Pg 21	M25/P21	44.00	13.00	18.70	78.00	41.0 / 41.0	25
VW 90 P29-K ¹⁾	83515460	Black	Pg 29	M32/P29	65.00	14.00	25.50	92.00	50.0 / 50.0	25
VW 90 P36-K ²⁾	83515462	Black	Pg 36	M40/P36	75.00	17.00	33.00	109.00	60.0 / 60.0	25
VW 90 P48-K ¹⁾	83515464	Black	Pg 48	M50/P48	93.00	17.00	42.00	134.00	75.0 / 75.0	10

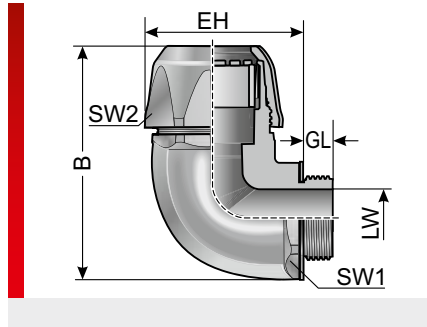
Type VW 90° (plastic thread) (Continued...)

Type	Order No.	Colour	Connecting thread	Suitable for Murrflex	EH mm	GL mm	LW mm	B mm	SW 1 / 2 mm	Pack qty.
VW 90 P9-K ¹⁾	83515412	Grey	Pg 09	M12/P09	29.00	12.00	7.20	45.00	21.0 / 21.0	50
VW 90 P11-K ¹⁾	83515414	Grey	Pg 11	M16/P11	35.00	12.00	10.50	55.00	27.0 / 27.0	50
VW 90 P16-K ¹⁾	83515416	Grey	Pg 16	M20/P16	45.00	13.00	14.70	67.00	34.0 / 34.0	50
VW 90 P21-K ¹⁾	83515418	Grey	Pg 21	M25/P21	44.00	13.00	18.70	78.00	41.0 / 41.0	25
VW 90 P29-K ¹⁾	83515420	Grey	Pg 29	M32/P29	65.00	14.00	25.50	92.00	50.0 / 50.0	25
VW 90 P36-K ²⁾	83515422	Grey	Pg 36	M40/P36	75.00	17.00	33.00	109.00	60.0 / 60.0	25
VW 90 P48-K ¹⁾	83515424	Grey	Pg 48	M50/P48	93.00	17.00	42.00	134.00	60.0 / 60.0	10
NPT plastic threading										
VW 90 N 3/8"-K ¹⁾	83515850	Black	3/8"	M16/P11	35.00	12.00	10.50	55.00	25.0 / 25.0	50
VW 90 N 1/2"-K ¹⁾	83515852	Black	1/2"	M20/P16	45.00	13.00	14.60	67.00	34.0 / 34.0	50
VW 90 N 3/4"-K ¹⁾	83515854	Black	3/4"	M25/P21	55.00	14.00	18.70	78.00	41.0 / 41.0	25
VW 90 N 1"-K ¹⁾	83515856	Black	1"	M32/P29	65.00	14.00	25.60	92.00	50.0 / 50.0	25
VW 90 N 1 1/4 -K ²⁾	83515858	Black	1 1/4"	M40/P36	75.00	18.00	33.00	109.00	60.0 / 60.0	25
VW 90 N 2"-K ¹⁾	83515860	Black	2"	M50/P48	93.00	18.00	42.00	134.00	75.0 / 75.0	10
VW 90 N 3/8"-K ¹⁾	83515810	Grey	3/8"	M16/P11	35.00	12.00	10.50	55.00	25.0 / 25.0	50
VW 90 N 1/2"-K ¹⁾	83515812	Grey	1/2"	M20/P16	45.00	13.00	14.60	67.00	34.0 / 34.0	50
VW 90 N 3/4"-K ¹⁾	83515814	Grey	3/4"	M25/P21	55.00	14.00	18.70	78.00	41.0 / 41.0	25
VW 90 N 1"-K ¹⁾	83515816	Grey	1"	M32/P29	65.00	14.00	25.60	92.00	50.0 / 50.0	25
VW 90 N 1 1/4 -K ²⁾	83515818	Grey	1 1/4"	M40/P36	75.00	18.00	33.00	109.00	60.0 / 60.0	25
VW 90 N 2"-K ¹⁾	83515820	Grey	2"	M50/P48	93.00	18.00	42.00	134.00	75.0 / 75.0	10

¹⁾With cURus- approval

²⁾With CSA- and cURus- approval

Type VW 90° (metal thread)



PRODUCT INFORMATION

The VW 90° conduit fittings are made of specially modified polyamide 6, thermo-plastic elastomer and nickel-plated brass. The materials are halogen, phosphor and cadmium-free.

The VW 90° conduit fittings feature the following advantages:

- Quick assembly, insert conduit, screw upper part tight, done
- No parts can get lost, delivered completely assembled

- Resistant to vibration due to lockable cap nut
- Clamping along entire circumference, ensuring maximum tensile strength.
- High level of tightness at IP 68/69K to 6 bar without any add-on components to EN 60529

Specification:

- EN 45545-2 3x HL3

SPECIFICATIONS

- 40 – 110 °C short term 140 °C
- Fitting: Mod. polyamide PA 6
Connecting thread: Mod. polyamide PA 6
- Acc. to UL94 V0 self-extinguishing
- IP 68 up to 6 bar (IP 69K)



Type	Order No.	Colour	Connecting thread	Suitable for Murrflex	EH mm	GL mm	LW mm	B mm	SW 1 / 2 mm	Pack qty.
Metric metal thread										
VW 90 M12-M ¹⁾	83515252	Black	M12x1.5	M12/P09	29.00	12.00	7.20	45.00	21.0 / 21.0	50
VW 90 M16-M ¹⁾	83515254	Black	M16x1,5	M16/P11	35.00	12.00	10.50	55.00	27.0 / 27.0	50
VW 90 M20-M ¹⁾	83515256	Black	M20x1.5	M20/P16	45.00	13.00	14.70	67.00	34.0 / 34.0	50
VW 90 M25-M ¹⁾	83515258	Black	M25x1.5	M25/P21	55.00	13.00	18.70	78.00	41.0 / 41.0	25
VW 90 M32-M ¹⁾	83515260	Black	M32x1.5	M32/P29	65.00	14.00	25.50	92.00	50.0 / 50.0	25
VW 90 M40-M ²⁾	83515262	Black	M40x1.5	M40/P36	75.00	17.00	33.00	109.00	60.0 / 60.0	25
VW 90 M50-M ¹⁾	83515264	Black	M50x1.5	M50/P48	93.00	17.00	42.00	134.00	75.0 / 75.0	10
Pg metal thread										
VW 90 P9-M ¹⁾	83515652	Black	Pg 09	M12/P09	29.00	12.00	7.20	45.00	21.0 / 21.0	50
VW 90 P11-M ¹⁾	83515654	Black	Pg 11	M16/P11	35.00	12.00	10.50	55.00	27.0 / 27.0	50
VW 90 P16-M ¹⁾	83515656	Black	Pg 16	M20/P16	45.00	13.00	14.70	67.00	34.0 / 34.0	50
VW 90 P21-M ¹⁾	83515658	Black	Pg 21	M25/P21	55.00	14.00	18.70	78.00	41.0 / 41.0	25
VW 90 P29-M ¹⁾	83515660	Black	Pg 29	M32/P29	65.00	14.00	25.50	92.00	50.0 / 50.0	25
VW 90 P36-M ²⁾	83515662	Black	Pg 36	M40/P36	75.00	17.00	33.00	109.00	60.0 / 60.0	25
VW 90 P48-M ¹⁾	83515664	Black	Pg 48	M50/P48	93.00	17.00	42.00	134.00	75.0 / 75.0	10

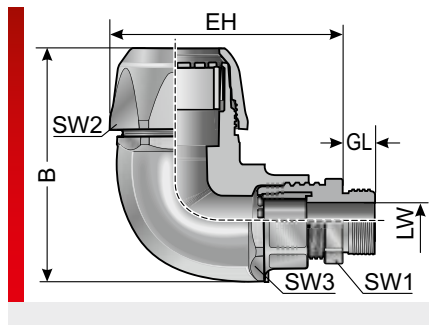
Type VW 90° (metal thread) (Continued...)

Type	Order No.	Colour	Connecting thread	Suitable for Murrflex	EH mm	GL mm	LW mm	B mm	SW 1 / 2 mm	Pack qty.
VW 90 P9-M ¹⁾	83515612	Grey	Pg 09	M12/P09	29.00	12.00	7.20	45.00	21.0 / 21.0	50
VW 90 P11-M ¹⁾	83515614	Grey	Pg 11	M16/P11	35.00	12.00	10.50	55.00	27.0 / 27.0	50
VW 90 P16-M ¹⁾	83515616	Grey	Pg 16	M20/P16	45.00	13.00	14.70	67.00	34.0 / 34.0	50
VW 90 P21-M ¹⁾	83515618	Grey	Pg 21	M25/P21	55.00	14.00	18.70	78.00	41.0 / 41.0	25
VW 90 P29-M ¹⁾	83515620	Grey	Pg 29	M32/P29	65.00	14.00	25.50	92.00	50.0 / 50.0	25
VW 90 P36-M ²⁾	83515622	Grey	Pg 36	M40/P36	75.00	17.00	33.00	109.00	60.0 / 60.0	25
VW 90 P48-M ¹⁾	83515624	Grey	Pg 48	M50/P48	93.00	17.00	42.00	134.00	75.0 / 75.0	10
NPT metal threading										
VW 90 N 3/8"-M ¹⁾	83516050	Black	3/8"	M16/P11	35.00	12.00	10.50	55.00	25.0 / 25.0	50
VW 90 N 1/2"-M ¹⁾	83516052	Black	1/2"	M20/P16	45.00	13.00	14.60	67.00	34.0 / 34.0	50
VW 90 N 3/4"-M ¹⁾	83516054	Black	3/4"	M25/P21	55.00	14.00	18.70	78.00	41.0 / 41.0	25
VW 90 N 1"-M ¹⁾	83516056	Black	1"	M32/P29	65.00	14.00	25.60	92.00	50.0 / 50.0	25
VW 90 N 1 1/4"-M ²⁾	83516058	Black	1 1/4"	M40/P36	75.00	18.00	33.50	109.00	60.0 / 60.0	25
VW 90 N 2"-M ¹⁾	83516060	Black	2"	M50/P48	93.00	18.00	42.00	134.00	75.0 / 75.0	10
VW 90 N 3/8"-M ¹⁾	83516010	Grey	3/8"	M16/P11	35.00	12.00	10.50	55.00	25.0 / 25.0	50
VW 90 N 1/2"-M ¹⁾	83516012	Grey	1/2"	M20/P16	45.00	13.00	14.60	67.00	34.0 / 34.0	50
VW 90 N 3/4"-M ¹⁾	83516014	Grey	3/4"	M25/P21	55.00	14.00	18.70	78.00	41.0 / 41.0	25
VW 90 N 1"-M ¹⁾	83516016	Grey	1"	M32/P29	65.00	14.00	25.60	92.00	50.0 / 50.0	25
VW 90 N 1 1/4"-M ²⁾	83516018	Grey	1 1/4"	M40/P36	75.00	18.00	33.50	109.00	60.0 / 60.0	25
VW 90 N 2"-M ¹⁾	83516020	Grey	2"	M50/P48	93.00	18.00	42.00	134.00	75.0 / 75.0	10

¹⁾With cURus- approval

²⁾With CSA- and cURus- approval

Type CVW 90° (conduit and cable fitting, plastic thread)



PRODUCT INFORMATION

The CVW 90° combined conduit and cable fittings are made of specially modified polyamide 6 and thermoplastic elastomer. The materials are halogen, phosphor and cadmium-free.

The CVW 90° combined conduit and cable fittings feature the following advantages:

- Quick assembly, insert conduit, screw upper part tight, done
- No parts can get lost, delivered completely assembled

- Resistant to vibration due to lockable cap nut
- Clamping along entire circumference, ensuring maximum tensile strength.
- Optimum strain relief for the cable
- High level of tightness at IP 68/69K to 6 bar without any add-on components to EN 60529

Specification:

- EN 45545-2 3x HL3

SPECIFICATIONS

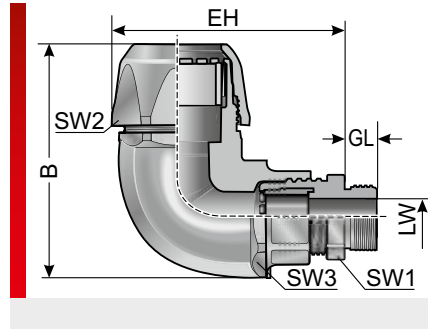
- 40 – 110 °C short term 140 °C
- Fitting: Mod. polyamide PA 6
Connecting thread: Mod. polyamide PA 6
- Acc. to UL94 V0 self-extinguishing
- IP 68 up to 6 bar (IP 69K)



Type	Order No.	Colour	Connecting thread	Suitable for Murrflex	EH mm	GL mm	B mm	Clamping range (LW) mm	SW 1 / 2 / 3 mm	Pack qty.
Metric plastic thread										
CVW 90 M12	83531450	Black	M12x1.5	M12/P09	45.00	8.00	44.00	3.0 – 6.5	21.0 / 15.0 / 20.0	50
CVW 90 M16	83531452	Black	M16x1,5	M16/P11	55.00	8.00	54.00	4.0 – 8.0	27.0 / 22.0 / 25.0	50
CVW 90 M20	83531456	Black	M20x1.5	M20/P16	67.00	9.00	67.00	6.0 – 12.0	33.0 / 24.0 / 33.0	50
CVW 90 M25	83531458	Black	M25x1.5	M25/P21	76.00	11.00	79.00	13.0 – 19.0	41.0 / 33.0 / 41.0	25
CVW 90 M32	83531460	Black	M32x1.5	M32/P29	94.00	11.00	92.00	18.0 – 25.0	50.0 / 42.0 / 50.0	25
CVW 90 M40 ¹⁾	83531462	Black	M40x1.5	M40/P36	112.00	13.00	109.00	22.0 – 32.0	60.0 / 53.0 / 60.0	25
CVW 90 M63	83531464	Black	M63x1.5	M50/P48	128.00	14.00	136.00	37.0 – 44.0	75.0 / 68.0 / 75.0	10

¹⁾With CSA approval

Type CVW 90° EMV (EMC conduit and cable fitting, metal thread)



PRODUCT INFORMATION

The CVW 90° EMV combined conduit and cable fittings are made of specially modified polyamide 6, thermoplastic elastomer and nickel-plated brass. The materials are halogen, phosphor and cadmium-free. The CVW 90° EMV combined conduit and cable fittings feature the following advantages:

- Quick assembly, insert conduit, screw upper part tight, done
- No parts can get lost, delivered completely assembled

- Resistant to vibration due to lockable cap nut
- Clamping along entire circumference, ensuring maximum tensile strength.
- Optimum strain relief for the cable
- High level of tightness at IP 68/69K to 6 bar without any add-on components to EN 60529

Specification:

- EN 45545-2 3x HL3

SPECIFICATIONS

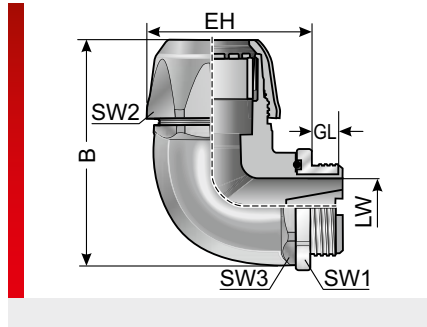
- 40 – 110 °C short term 140 °C
- Fitting: Mod. polyamide PA 6
Connecting thread: Nickel-plated brass
- Acc. to UL94 V0 self-extinguishing
- IP 68 up to 6 bar (IP 69K)

RoHS
 HF
 EU
 SE
 Made in Germany

Type	Order No.	Colour	Connecting thread	Suitable for Murrflex	EH mm	GL mm	B mm	Clamping range (LW) mm	SW 1 / 2 / 3 mm	Pack qty.
Metric metal thread / EMC version										
CVW 90 M12 EMV	83551450	Black	M12x1.5	M12/P09	46.00	6.50	45.00	3.0 – 6.5	21.0 / 14.0 / 20.0	50
CVW 90 M16 EMV	83551452	Black	M16x1.5	M16/P11	54.00	6.00	54.00	5.0 – 10.0	27.0 / 20.0 / 25.0	50
CVW 90 M20 EMV	83551456	Black	M20x1.5	M20/P16	67.00	6.00	67.00	10.0 – 14.0	34.0 / 24.0 / 33.0	50
CVW 90 M25 EMV	83551458	Black	M25x1.5	M25/P21	74.00	7.00	79.00	13.0 – 18.0	41.0 / 30.0 / 41.0	25
CVW 90 M32 EMV	83551460	Black	M32x1.5	M32/P29	88.00	8.00	92.00	18.0 – 25.0	50.0 / 40.0 / 50.0	25
CVW 90 M40 EMV ¹⁾	83551462	Black	M40x1.5	M40/P36	108.00	8.00	109.00	22.0 – 32.0	60.0 / 50.0 / 60.0	25
CVW 90 M63 EMV	83551464	Black	M63x1.5	M50/P36	127.00	10.00	136.00	37.0 – 44.0	75.0 / 68.0 / 75.0	10

¹⁾With CSA approval

Type DVW 90° (360° rotatable conduit fitting, metal thread)



PRODUCT INFORMATION

The rotatable DVW 90° conduit fittings are made of specially modified polyamide 6, thermoplastic elastomer and nickel-plated brass. The materials are halogen, phosphor and cadmium-free.

The DVW 90° conduit fittings feature the following advantages:

- Quick assembly, insert conduit, screw upper part tight, done
- No parts can get lost, delivered completely assembled

- Resistant to vibration due to lockable cap nut
- Clamping along entire circumference, ensuring maximum tensile strength.
- High level of tightness at IP 68/69K to 6 bar without any add-on components to EN 60529

Specification:

- EN 45545-2 3x HL3

SPECIFICATIONS

- 40 – 110 °C short term 140 °C
- Fitting: Mod. polyamide PA 6
Connecting thread: Nickel-plated brass
- Acc. to UL94 V0 self-extinguishing
- IP 68 up to 6 bar (IP 69K)

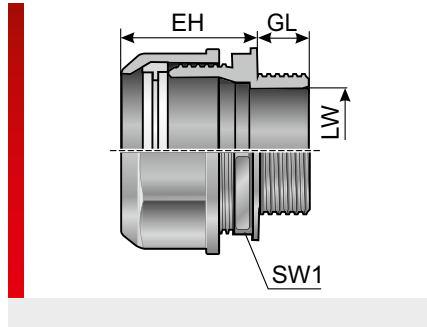
Type	Order No.	Colour	Connecting thread	Suitable for Murrflex	EH mm	GL mm	LW mm	B mm	SW 1 / 2 / 3 mm	Pack qty.
Metric metal thread										
DVW 90 M16/P9-M	83495252	Black	M16x1,5	M12/P09	31.80	11.20	7.20	45.80	21.0 / 21.0 / 21.0	50
DVW 90 M20/P11-M	83495254	Black	M20x1.5	M16/P11	38.50	11.20	10.50	56.80	27.0 / 27.0 / 25.0	50
DVW 90 M25/P16-M	83495256	Black	M25x1.5	M20/P16	48.00	12.20	14.60	68.60	34.0 / 27.0 / 34.0	25
DVW 90 M32/P21-M	83495258	Black	M32x1.5	M25/P21	55.50	12.20	18.70	79.30	41.0 / 41.0 / 41.0	25
DVW 90 M40/P29-M	83495260	Black	M40x1.5	M32/P29	67.50	13.20	25.50	93.60	50.0 / 50.0 / 50.0	25
DVW 90 M50/P36-M ¹⁾	83495262	Black	M50x1.5	M40/P36	75.70	15.20	33.00	109.90	60.0 / 60.0 / 60.0	10
DVW 90 M63/P48-M	83495264	Black	M63x1.5	M50/P48	92.80	15.20	41.20	135.80	75.0 / 75.0 / 75.0	10

¹⁾With CSA approval



m-tec conduit fitting

Type EH



PRODUCT INFORMATION

The EH conduit fittings are made of specially modified polyamide and polyoxymethylene. The materials are halogen, phosphor and cadmium-free. The EH conduit fittings feature the following advantages:

- No parts can get lost, delivered completely assembled

- Tightness of IP 65 for static and dynamic application
- Integrated clamping ring ensures high tear-out strength

Specification:

- UL listed E 148958
- EN 45545-2 3x HL3

SPECIFICATIONS

- 40 – 110 °C short term 140 °C
- Fitting: Mod. polyamide PA 6
Clamping ring: Polyoxymethylene (POM)
- Acc. to UL94 V0 self-extinguishing
- IP 65

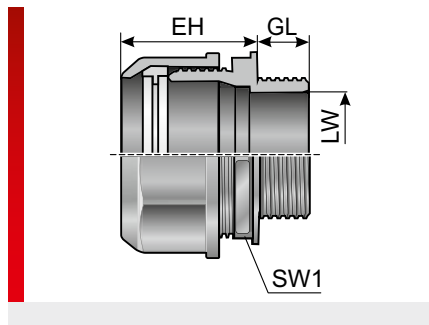
RoHS
 HF
 CE
 UL
 Made in Germany

Type	Order No.	Colour	Connecting thread	Suitable for Murrflex	EH mm	GL mm	LW mm	SW 1 mm	Pack qty.
Metric thread									
EH-M12x1.5/9	83501452	Black	M12x1.5	M12/P09	26.00	13.00	8.00	19.00	50
EH-M12x1.5/11	83501456	Black	M12x1.5	M16/P11	26.00	13.00	8.00	22.00	50
EH-M16x1.5/9	83501454	Black	M16x1,5	M12/P09	26.00	13.00	11.00	19.00	50
EH-M16x1.5/11	83501458	Black	M16x1,5	M16/P11	26.00	13.00	11.00	22.00	50
EH-M20x1.5/13.5	83501459	Black	M20x1.5	DN 13	26.00	14.00	15.00	27.00	50
EH-M20x1.5/16	83501460	Black	M20x1.5	M20/P16(S)	26.00	14.00	15.00	27.00	50
EH-M25x1.5/21	83501462	Black	M25x1.5	M25/P21(S)	33.00	10.00	21.00	37.00	50
EH-M32x1.5/29 ¹⁾	83501464	Black	M32x1.5	M32/P29(S)	33.00	10.00	27.00	45.00	25
EH-M40x1.5/36 ¹⁾	83501466	Black	M40x1.5	M40/P36(S)	44.00	15.00	35.00	55.00	25
EH-M50x1.5/48 ¹⁾	83501468	Black	M50x1.5	M50/P48(S)	50.00	17.00	44.00	65.00	10
EH-M63x1.5/48 ¹⁾	83501470	Black	M63x1.5	M50/P48(S)	50.00	15.00	50.00	65.00	10
EH-M12x1.5/9	83501412	Grey	M12x1.5	M12/P09	26.00	13.00	8.00	19.00	50
EH-M12x1.5/11	83501416	Grey	M12x1.5	M16/P11	26.00	13.00	8.00	22.00	50
EH-M16x1.5/9	83501414	Grey	M16x1,5	M12/P09	26.00	13.00	11.00	19.00	50
EH-M16x1.5/11	83501418	Grey	M16x1,5	M16/P11	26.00	13.00	11.00	22.00	50
EH-M20x1.5/13.5	83501419	Grey	M20x1.5	DN 13	26.00	14.00	15.00	27.00	50
EH-M20x1.5/16	83501420	Grey	M20x1.5	M20/P16(S)	26.00	14.00	15.00	27.00	50
EH-M25x1.5/21	83501422	Grey	M25x1.5	M25/P21(S)	33.00	10.00	21.00	37.00	50
EH-M32x1.5/29 ¹⁾	83501424	Grey	M32x1.5	M32/P29(S)	33.00	10.00	27.00	45.00	25
EH-M40x1.5/36 ¹⁾	83501426	Grey	M40x1.5	M40/P36(S)	44.00	15.00	35.00	55.00	25
EH-M50x1.5/48 ¹⁾	83501428	Grey	M50x1.5	M50/P48(S)	50.00	17.00	44.00	65.00	10
EH-M63x1.5/48 ¹⁾	83501430	Grey	M63x1.5	M50/P48(S)	50.00	15.00	50.00	65.00	10

Type EH (Continued...)

Type	Order No.	Colour	Connecting thread	Suitable for Murrflex	EH mm	GL mm	LW mm	SW 1 mm	Pack qty.
Pg threads									
EH-Pg 07	83501050	Black	Pg 07	M10/P07	26.00	8.00	8.50	19.00	50
EH-Pg 07/09	83501068	Black	Pg 07	M12/P09	26.00	8.00	8.50	19.00	50
EH-Pg 09	83501052	Black	Pg 09	M12/P09	26.00	8.00	11.00	19.00	50
EH-Pg 09/11	83501070	Black	Pg 09	M16/P11	26.00	8.00	10.50	22.00	50
EH-Pg 09/13.5	83501072	Black	Pg 09	DN 13	26.00	8.00	10.50	27.00	50
EH-Pg 09/16	83501074	Black	Pg 09	M20/P16	26.00	8.00	10.50	27.00	50
EH-Pg 11/09	83501076	Black	Pg 11	M12/P09	26.00	8.00	14.00	19.00	50
EH-Pg 11	83501054	Black	Pg 11	M16/P11	26.00	8.00	14.00	22.00	50
EH-Pg 11/13.5	83501078	Black	Pg 11	DN 13	26.00	8.00	14.00	27.00	50
EH-Pg 11/16	83501080	Black	Pg 11	M20/P16	26.00	8.00	14.00	27.00	50
EH-Pg 13.5	83501055	Black	Pg 13.5	DN 13	26.00	8.00	14.00	27.00	50
EH-Pg 13.5/16	83501056	Black	Pg 13.5	M20/P16	26.00	8.00	14.00	27.00	50
EH-Pg 16/13.5	83501082	Black	Pg 16	DN 13	26.00	8.00	17.00	27.00	50
EH-Pg 16	83501058	Black	Pg 16	M20/P16	26.00	8.00	17.00	27.00	50
EH-Pg 21	83501060	Black	Pg 21	M25/P21(S)	34.00	10.00	23.00	38.00	50
EH-Pg 21 long	83501061	Black	Pg 21	M25/P21(S)	34.00	15.00	23.00	38.00	50
EH-Pg 29 ¹⁾	83501062	Black	Pg 29	M32/P29(S)	34.00	10.00	31.00	46.00	25
EH-Pg 36 ¹⁾	83501064	Black	Pg 36	M40/P36(S)	44.00	15.00	40.00	55.00	25
EH-Pg 48 ¹⁾	83501066	Black	Pg 48	M50/P48(S)	50.00	15.00	51.00	65.00	10
Grey threads									
EH-Pg 07	83501010	Grey	Pg 07	M10/P07	26.00	8.00	8.50	19.00	50
EH-Pg 07/09	83501028	Grey	Pg 07	M12/P09	26.00	8.00	8.50	19.00	50
EH-Pg 09	83501012	Grey	Pg 09	M12/P09	26.00	8.00	11.00	19.00	50
EH-Pg 09/11	83501030	Grey	Pg 09	M16/P11	26.00	8.00	10.50	22.00	50
EH-Pg 09/13.5	83501032	Grey	Pg 09	DN 13	26.00	8.00	10.50	27.00	50
EH-Pg 09/16	83501034	Grey	Pg 09	M20/P16	26.00	8.00	10.50	27.00	50
EH-Pg 11/09	83501036	Grey	Pg 11	M12/P09	26.00	8.00	14.00	19.00	50
EH-Pg 11	83501014	Grey	Pg 11	M16/P11	26.00	8.00	14.00	22.00	50
EH-Pg 11/13.5	83501038	Grey	Pg 11	DN 13	26.00	8.00	14.00	27.00	50
EH-Pg 11/16	83501040	Grey	Pg 11	M20/P16	26.00	8.00	14.00	27.00	50
EH-Pg 13.5	83501015	Grey	Pg 13.5	DN 13	26.00	8.00	14.00	27.00	50
EH-Pg 13.5/16	83501016	Grey	Pg 13.5	M20/P16	26.00	8.00	14.00	27.00	50
EH-Pg 16/13.5	83501042	Grey	Pg 16	DN 13	26.00	8.00	17.00	27.00	50
EH-Pg 16	83501018	Grey	Pg 16	M20/P16	26.00	8.00	17.00	27.00	50
EH-Pg 21	83501020	Grey	Pg 21	M25/P21(S)	34.00	10.00	23.00	38.00	50
EH-Pg 21 long	83501021	Grey	Pg 21	M25/P21(S)	34.00	15.00	23.00	38.00	50
EH-Pg 29 ¹⁾	83501022	Grey	Pg 29	M32/P29(S)	34.00	10.00	31.00	46.00	25
EH-Pg 36 ¹⁾	83501024	Grey	Pg 36	M40/P36(S)	44.00	15.00	40.00	55.00	25
EH-Pg 48 ¹⁾	83501026	Grey	Pg 48	M50/P48(S)	50.00	15.00	51.00	65.00	10
NPT thread									
EH-NPT 3/8"/11	83501251	Black	3/8"	M16/P11	26.00	14.00	12.00	22.00	50
EH-NPT 1/2"/16	83501250	Black	1/2"	M20/P16(S)	26.00	13.00	14.00	27.00	50
EH-NPT 3/4"/21	83501252	Black	3/4"	M25/P21(S)	31.00	14.00	19.00	37.00	50
EH-NPT 1"/29 ¹⁾	83501254	Black	1"	M32/P29(S)	32.00	19.00	26.00	46.00	25
EH-NPT 1 1/4"/36 ¹⁾	83501256	Black	1 1/4"	M40/P36(S)	44.00	18.00	35.00	55.00	25

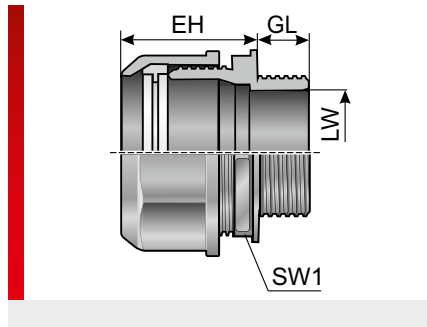
Type EH (Continued...)



Type	Order No.	Colour	Connecting thread	Suitable for Murrflex	EH mm	GL mm	LW mm	SW 1 mm	Pack qty.
EH-NPT 2"/48 ¹⁾	83501258	Black	2"	M50/P48(S)	50.00	18.00	51.00	65.00	10
EH-NPT 3/8"/11	83501211	Grey	3/8"	M16/P11	26.00	14.00	12.00	22.00	50
EH-NPT 1/2"/16	83501210	Grey	1/2"	M20/P16(S)	26.00	13.00	14.00	27.00	50
EH-NPT 3/4"/21	83501212	Grey	3/4"	M25/P21(S)	31.00	14.00	19.00	37.00	50
EH-NPT 1"/29 ¹⁾	83501214	Grey	1"	M32/P29(S)	32.00	19.00	26.00	46.00	25
EH-NPT 1 1/4"/36 ¹⁾	83501216	Grey	1 1/4"	M40/P36(S)	44.00	18.00	35.00	55.00	25
EH-NPT 2"/48 ¹⁾	83501218	Grey	2"	M50/P48(S)	50.00	18.00	51.00	65.00	10

¹⁾With cURus- approval

Type EH/S



PRODUCT INFORMATION

The EH/S conduit fittings are made of specially modified polyamide and polyoxymethylene. The materials are halogen, phosphor and cadmium-free.

The EH/S conduit fittings feature the following advantages:

- No parts can get lost, delivered completely assembled

- Cost-effective solution
- Integrated clamping ring ensures high tear-out strength

Fitting suitable for the EVK, EL and ELS cable protection conduit.

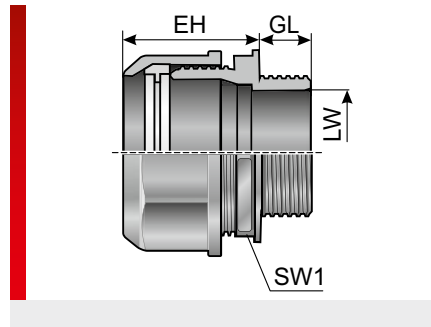
SPECIFICATIONS

- 40 – 110 °C short term 140 °C
- Fitting: Mod. polyamide
Clamping ring: Polyoxymethylene (POM)
- Acc. to UL94 V0 self-extinguishing
- IP 65

-
-
-
-

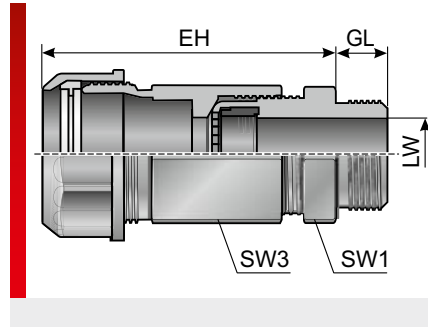
Type	Order No.	Colour	Connecting thread	Suitable for Murrflex EL	Suitable for Murrflex ELS	Suitable for Murrflex EVK	EH mm	GL mm	SW 1 mm	Pack qty.
Metric plastic thread										
EH/S M12X1.5/9	83541252	Black	M12x1.5	09	09	07/E	26.00	13.00	19.00	50
EH/S M12X1.5/11	83541256	Black	M12x1.5	11	11	09/E	26.00	13.00	22.00	50
EH/S M16X1.5/9	83541254	Black	M16x1,5	09	09	07/E	26.00	13.00	19.00	50
EH/S M16X1.5/11	83541258	Black	M16x1,5	11	11	09/E	26.00	13.00	22.00	50
EH/S M20X1.5/13	83541259	Black	M20x1.5	13	13	11	26.00	14.00	27.00	50
EH/S M20X1.5/16	83541260	Black	M20x1.5	16	16	11	26.00	14.00	27.00	50
EH/S M25X1.5/21	83541262	Black	M25x1.5	21	21	21/E	33.00	10.00	37.00	50
EH/S M32X1.5/29	83541264	Black	M32x1.5	29	29	29/E	33.00	10.00	45.00	25
EH/S M40X1.5/36	83541266	Black	M40x1.5	36	36	36/E	44.00	15.00	55.00	25
EH/S M50X1.5/48	83541268	Black	M50x1.5	48	48	42	50.00	17.00	65.00	10
Grey plastic thread										
EH/S M12X1.5/9	83541212	Grey	M12x1.5	09	09	07/E	26.00	13.00	19.00	50
EH/S M12X1.5/11	83541216	Grey	M12x1.5	11	11	09/E	26.00	13.00	22.00	50
EH/S M16X1.5/9	83541214	Grey	M16x1,5	09	09	07/E	26.00	13.00	19.00	50
EH/S M16X1.5/11	83541218	Grey	M16x1,5	11	11	09/E	26.00	13.00	22.00	50
EH/S M20X1.5/13	83541219	Grey	M20x1.5	13	13	11	26.00	14.00	27.00	50
EH/S M20X1.5/16	83541220	Grey	M20x1.5	16	16	11	26.00	14.00	27.00	50
EH/S M25X1.5/21	83541222	Grey	M25x1.5	21	21	21/E	33.00	10.00	37.00	50
EH/S M32X1.5/29	83541224	Grey	M32x1.5	29	29	29/E	33.00	10.00	45.00	25
EH/S M40X1.5/36	83541226	Grey	M40x1.5	36	36	36/E	44.00	15.00	55.00	25
EH/S M50X1.5/48	83541228	Grey	M50x1.5	48	48	42	50.00	17.00	65.00	10
Pg plastic threading										
EH/S PG 07	83541050	Black	Pg 07		07		26.00	8.00	19.00	50
EH/S PG 07/09	83541068	Black	Pg 07	09	09		26.00	8.00	19.00	50

Type EH/S (Continued...)



Type	Order No.	Colour	Connecting thread	Suitable for Murrflex EL	Suitable for Murrflex ELS	Suitable for Murrflex EVK	EH mm	GL mm	SW 1 mm	Pack qty.
EH/S PG 09	83541052	Black	Pg 09	09	09	07/E	26.00	8.00	19.00	50
EH/S PG 09/11	83541070	Black	Pg 09	11	11	09/E	26.00	8.00	22.00	50
EH/S PG 09/13	83541072	Black	Pg 09	13	13	11/E	26.00	8.00	27.00	50
EH/S PG 09/16	83541074	Black	Pg 09	16	16	13/E	26.00	8.00	27.00	50
EH/S PG 11/09	83541076	Black	Pg 11	09	09	07/E	26.00	8.00	19.00	50
EH/S PG 11	83541054	Black	Pg 11	11	11	09/E	26.00	8.00	22.00	50
EH/S PG 11/13	83541078	Black	Pg 11	13	13	11/E	26.00	8.00	27.00	50
EH/S PG 11/16	83541080	Black	Pg 11	16	16	13/E	26.00	8.00	27.00	50
EH/S PG 13.5	83541056	Black	Pg 13.5	13	13	11/E	26.00	8.00	27.00	50
EH/S PG 13/16	83541082	Black	Pg 13	16	16	13/E	26.00	8.00	27.00	50
EH/S PG 16/13	83541084	Black	Pg 16	13	13	11/E	26.00	8.00	27.00	50
EH/S PG 16	83541058	Black	Pg 16	16	16	13/E	26.00	8.00	27.00	50
EH/S PG 21	83541060	Black	Pg 21	21	21	16/E	34.00	10.00	38.00	50
EH/S PG 29	83541062	Black	Pg 29	29	29	21/E	34.00	10.00	46.00	25
EH/S PG 36	83541064	Black	Pg 36	36	36	29/E	44.00	15.00	55.00	25
EH/S PG 48	83541066	Black	Pg 48	48	48	42	50.00	15.00	65.00	10
EH/S PG 07	83541010	Grey	Pg 07		07		26.00	8.00	19.00	50
EH/S PG 07/09	83541028	Grey	Pg 07	09	09		26.00	8.00	19.00	50
EH/S PG 09	83541012	Grey	Pg 09	09	09	07/E	26.00	8.00	19.00	50
EH/S PG 09/11	83541030	Grey	Pg 09	11	11	09/E	26.00	8.00	22.00	50
EH/S PG 09/13	83541032	Grey	Pg 09	13	13	11/E	26.00	8.00	27.00	50
EH/S PG 09/16	83541034	Grey	Pg 09	16	16	13/E	26.00	8.00	27.00	50
EH/S PG 11/09	83541040	Grey	Pg 11	09	09	07/E	26.00	8.00	19.00	50
EH/S PG 11	83541014	Grey	Pg 11	11	11	09/E	26.00	8.00	22.00	50
EH/S PG 11/13	83541036	Grey	Pg 11	13	13	11/E	26.00	8.00	27.00	50
EH/S PG 11/16	83541038	Grey	Pg 11	16	16	13/E	26.00	8.00	27.00	50
EH/S PG 13.5	83541016	Grey	Pg 13.5	13	13	11/E	26.00	8.00	27.00	50
EH/S PG 13/16	83541042	Grey	Pg 13	16	16	13/E	26.00	8.00	27.00	50
EH/S PG 16/13	83541044	Grey	Pg 16	13	13	11/E	26.00	8.00	27.00	50
EH/S PG 16	83541018	Grey	Pg 16	16	16	13/E	26.00	8.00	27.00	50
EH/S PG 21	83541020	Grey	Pg 21	21	21	16/E	34.00	10.00	38.00	50
EH/S PG 29	83541022	Grey	Pg 29	29	29	21/E	34.00	10.00	46.00	25
EH/S PG 36	83541024	Grey	Pg 36	36	36	29/E	44.00	15.00	55.00	25
EH/S PG 48	83541026	Grey	Pg 48	48	48	42	50.00	15.00	65.00	10

Type CSKV (conduit and cable fitting)



PRODUCT INFORMATION

The CSKV conduit and cable fitting is a combination of our proven WKK cable fitting and the EH conduit fitting.

The fittings are made of specially modified polyamide.

The materials are halogen, phosphor and cadmium-free.

The CSKV conduit and cable fittings feature the following advantages:

- No parts can get lost, delivered completely assembled

- Tightness of IP 65 for static and dynamic application
- Integrated clamping ring ensures high tear-out strength
- Optimum strain relief for the cable due to iris-shaped lamellae

Specification:

- UL listed E 148958
- EN 45545-2 3x HL3

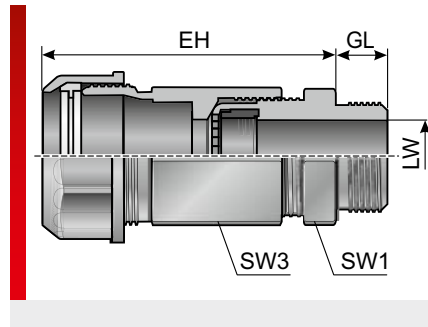
SPECIFICATIONS

- 40 – 110 °C short term 140 °C
- Fitting: Mod. polyamide PA 6
Moulded seal: Perbunan (NBR)
- Acc. to UL94 V0 self-extinguishing
- IP 65



Type	Order No.	Colour	Connecting thread	Suitable for Murrflex	EH mm	GL mm	Clamping range (LW) mm	SW 1 / 3 mm	Pack qty.
Metric thread									
CSKV-M16x1.5/9 ¹⁾	83581850	Black	M16x1,5	M12/P09	45.00	8.00	4.0 – 8.0	19.0 / 19.0	50
CSKV-M16x1.5/11 ¹⁾	83581852	Black	M16x1,5	M16/P11	49.00	8.00	5.0 – 10.0	22.0 / 22.0	50
CSKV-M20x1,5/13,5-16 ¹⁾	83581854	Black	M20x1.5	DN 13	50.00	9.00	6.0 – 12.0	24.0 / 27.0	50
CSKV M20x1.5/16/6-12 ²⁾	83980354	Black	M20x1.5	M20/P16(S)	50.00	9.00	6.0 – 12.0	24.0 / 27.0	50
CSKV-M20x1.5/16 ¹⁾	83581856	Black	M20x1.5	M20/P16(S)	50.00	9.00	10.0 – 14.0	27.0 / 27.0	50
CSKV-M25x1.5/21 ¹⁾	83581858	Black	M25x1.5	M25/P21(S)	60.00	11.00	13.0 – 18.0	33.0 / 33.0	50
CSKV-M32x1.5/29 ¹⁾	83581860	Black	M32x1.5	M32/P29(S)	69.00	11.00	18.0 – 25.0	42.0 / 42.0	25
CSKV-M40x1.5/36 ¹⁾	83581862	Black	M40x1.5	M40/P36(S)	88.00	13.00	22.0 – 32.0	53.0 / 53.0	10
CSKV-M63x1.5/48 ¹⁾	83581864	Black	M63x1.5	M50/P48(S)	109.00	14.00	37.0 – 44.0	65.0 / 65.0	10
Grey variants									
CSKV-M16x1.5/9 ¹⁾	83581810	Grey	M16x1,5	M12/P09	45.00	8.00	4.0 – 8.0	19.0 / 19.0	50
CSKV-M16x1.5/11 ¹⁾	83581812	Grey	M16x1,5	M16/P11	49.00	8.00	5.0 – 10.0	22.0 / 22.0	50
CSKV-M20x1,5/13,5-16 ¹⁾	83581814	Grey	M20x1.5	DN 13	50.00	9.00	6.0 – 12.0	24.0 / 27.0	50
CSKV-M20x1.5/16 ¹⁾	83581816	Grey	M20x1.5	M20/P16(S)	52.00	9.00	10.0 – 14.0	27.0 / 27.0	50
CSKV-M25x1.5/21 ¹⁾	83581818	Grey	M25x1.5	M25/P21(S)	60.00	11.00	13.0 – 18.0	33.0 / 33.0	50
CSKV-M32x1.5/29 ¹⁾	83581820	Grey	M32x1.5	M32/P29(S)	69.00	11.00	18.0 – 25.0	42.0 / 42.0	25
CSKV-M40x1.5/36 ¹⁾	83581822	Grey	M40x1.5	M40/P36(S)	88.00	13.00	22.0 – 32.0	53.0 / 53.0	10
CSKV-M63x1.5/48 ¹⁾	83581824	Grey	M63x1.5	M50/P48(S)	109.00	14.00	37.0 – 44.0	65.0 / 65.0	10
Pg threads									
CSKV-Pg 09 ¹⁾	83581250	Black	Pg 09	M12/P09	45.00	8.00	4.0 – 8.0	19.0 / 19.0	50
CSKV-Pg 11 ¹⁾	83581252	Black	Pg 11	M16/P11	49.00	8.00	5.0 – 10.0	22.0 / 22.0	50
CSKV-Pg 13,5/16 ¹⁾	83581254	Black	Pg 13.5	M20/P16(S)	52.00	9.00	6.0 – 12.0	24.0 / 27.0	50
CSKV-Pg 16 ¹⁾	83581256	Black	Pg 16	M20/P16(S)	52.00	10.00	10.0 – 14.0	27.0 / 27.0	50

Type CSKV (conduit and cable fitting) (Continued...)

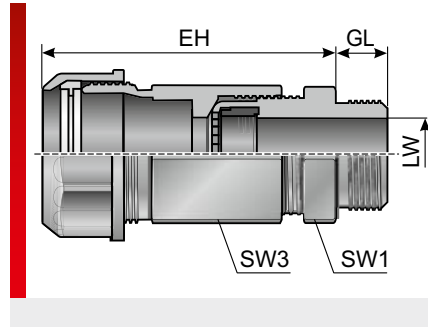


Type	Order No.	Colour	Connecting thread	Suitable for Murrflex	EH mm	GL mm	Clamping range (LW) mm	SW 1 / 3 mm	Pack qty.
CSKV-Pg 21 ¹⁾	83581258	Black	Pg 21	M25/P21(S)	60.00	11.00	13.0 – 18.0	33.0 / 33.0	50
CSKV-Pg 29 ¹⁾	83581260	Black	Pg 29	M32/P29(S)	69.00	11.00	18.0 – 25.0	42.0 / 42.0	25
CSKV-Pg 36 ¹⁾	83581262	Black	Pg 36	M40/P36(S)	88.00	13.00	22.0 – 32.0	53.0 / 53.0	10
CSKV-Pg 48 ¹⁾	83581264	Black	Pg 48	M50/P48(S)	95.00	14.00	37.0 – 44.0	65.0 / 65.0	10
NPT thread									
CSKV 3/8"-09 ¹⁾	83583250	Black	3/8"	M12/P09	45.00	14.00	4.0 – 8.0	19.0 / 22.0	50
CSKV 1/2"-16 ¹⁾	83583256	Black	1/2"	M20/P16(S)	52.00	13.00	10.0 – 14.0	27.0 / 27.0	50
CSKV 3/4"-21 ¹⁾	83583258	Black	3/4"	M25/P21(S)	60.00	14.00	13.0 – 18.0	33.0 / 33.0	25
CSKV 1"-29 ¹⁾	83583260	Black	1"	M32/P29(S)	69.00	19.00	18.0 – 25.0	42.0 / 42.0	25
CSKV 3/8"-09 ¹⁾	83583210	Grey	3/8"	M12/P09	45.00	14.00	4.0 – 8.0	19.0 / 22.0	50
CSKV 1/2"-16 ¹⁾	83583216	Grey	1/2"	M20/P16(S)	52.00	13.00	10.0 – 14.0	27.0 / 27.0	50
CSKV 3/4"-21 ¹⁾	83583218	Grey	3/4"	M25/P21(S)	60.00	14.00	13.0 – 18.0	33.0 / 33.0	25
CSKV 1"-29 ¹⁾	83583220	Grey	1"	M32/P29(S)	69.00	19.00	18.0 – 25.0	42.0 / 42.0	25

¹⁾ With cURus- approval

²⁾ Min. order quantity 250 pcs

Type MCSKV (conduit and cable fitting)



PRODUCT INFORMATION

The MCSKV conduit and cable fitting is a combination of our proven WKK cable fitting and the m-tec EH conduit fitting with multi-insert. The fittings are made of specially modified polyamide.

The materials are halogen, phosphor and cadmium-free.

The MCSKV conduit and cable fittings feature the following advantages:

- No parts can get lost, delivered completely assembled
- Tightness of IP 65 for static and dynamic application
- Integrated clamping ring ensures high tear-out strength
- Several cables can be inserted at the same time

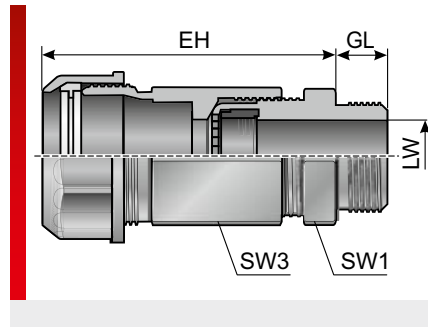
SPECIFICATIONS

- 40 – 110 °C short term 140 °C
- Fitting: Mod. polyamide PA 6
Moulded seal: Perbunan (NBR)
- Acc. to UL94 V0 self-extinguishing
- IP 65

RoHS
 HF
 EU
 Made in Germany

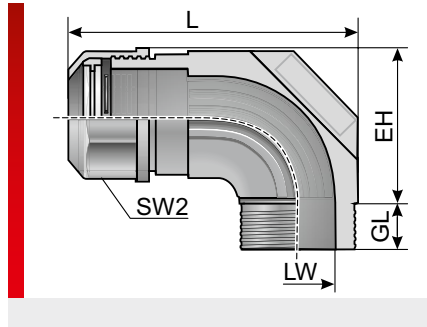
Type	Order No.	Colour	Connecting thread	Suitable for Murrflex	Number x Ø mm	EH mm	GL mm	SW 1 / 3 mm	Pack qty.
Metric thread									
MCSKV-M16x1.5/9/4x1.4	83582850	Black	M16x1.5	M12/P09	4.0 x 1.4	45.00	8.00	19.0 / 19.0	50
MCSKV-M16x1.5/9/2x3	83582852	Black	M16x1.5	M12/P09	2.0 x 3.0	45.00	8.00	19.0 / 19.0	50
MCSKV-M20x1.5/16/3x2	83582854	Black	M20x1.5	M20/P16	3.0 x 2.0	52.00	9.00	27.0 / 27.0	50
MCSKV-M20x1.5/16/6x3	83582856	Black	M20x1.5	M20/P16	6.0 x 3.0	52.00	9.00	27.0 / 27.0	50
MCSKV-M20x1.5/16/3x4	83582858	Black	M20x1.5	M20/P16	3.0 x 4.0	52.00	9.00	27.0 / 27.0	50
MCSKV-M20x1.5/16/2x5	83582860	Black	M20x1.5	M20/P16	2.0 x 5.0	52.00	9.00	27.0 / 27.0	50
MCSKV-M25x1.5/21/4x2	83582862	Black	M25x1.5	M25/P21	4.0 x 2.0	60.00	11.00	33.0 / 33.0	50
MCSKV-M25x1.5/21/3x7	83582864	Black	M25x1.5	M25/P21	3.0 x 7.0	60.00	11.00	33.0 / 33.0	50
MCSKV-M25x1.5/21/2x8	83582866	Black	M25x1.5	M25/P21	2.0 x 8.0	60.00	11.00	33.0 / 33.0	50
MCSKV-M32x1.5/29/6x6.5	83582868	Black	M32x1.5	M32/P29	6.0 x 6.5	69.00	11.00	42.0 / 42.0	25
MCSKV-M32x1.5/29/4x9	83582870	Black	M32x1.5	M32/P29	4.0 x 9.0	69.00	11.00	42.0 / 42.0	25
Pg threads									
MCSKV-Pg 09 4x1,4	83582250	Black	Pg 09	M12/P09	4.0 x 1.4	45.00	8.00	19.0 / 19.0	50
MCSKV-Pg 09 4x3	83582252	Black	Pg 09	M12/P09	4.0 x 3.0	45.00	8.00	19.0 / 19.0	50
MCSKV-Pg 11 2x3	83582254	Black	Pg 11	M16/P11	2.0 x 3.0	49.00	8.00	22.0 / 22.0	50
MCSKV-Pg 11 2x4	83582256	Black	Pg 11	M16/P11	2.0 x 4.0	49.00	8.00	22.0 / 22.0	50
MCSKV-Pg 11 3x3	83582258	Black	Pg 11	M16/P11	3.0 x 3.0	49.00	8.00	22.0 / 22.0	50
MCSKV-Pg 13.5 2x5	83582260	Black	Pg 13.5	DN 13	2.0 x 5.0	52.00	9.00	24.0 / 27.0	50
MCSKV-Pg 13.5 3x2	83582262	Black	Pg 13.5	DN 13	3.0 x 2.0	52.00	9.00	24.0 / 27.0	50
MCSKV-Pg 13.5 3x4	83582264	Black	Pg 13.5	DN 13	3.0 x 4.0	52.00	9.00	24.0 / 27.0	50
MCSKV-Pg 13.5 6x3	83582266	Black	Pg 13.5	DN 13	6.0 x 3.0	52.00	9.00	24.0 / 27.0	50
MCSKV-Pg 16 2x6	83582268	Black	Pg 16	M20/P16	2.0 x 6.0	52.00	10.00	27.0 / 27.0	50
MCSKV-Pg 16 3x3	83582270	Black	Pg 16	M20/P16	3.0 x 3.0	52.00	10.00	27.0 / 27.0	50
MCSKV-Pg 16 3x4	83582272	Black	Pg 16	M20/P16	3.0 x 4.0	52.00	10.00	27.0 / 27.0	50

Type MCSKV (conduit and cable fitting) (Continued...)



Type	Order No.	Colour	Connecting thread	Suitable for Murrflex	Number x Ø mm	EH mm	GL mm	SW 1 / 3 mm	Pack qty.
MCSKV-Pg 16 3x6	83582274	Black	Pg 16	M20/P16	3.0 x 6.0	52.00	10.00	27.0 / 27.0	50
MCSKV-Pg 16 4x4	83582276	Black	Pg 16	M20/P16	4.0 x 4.0	52.00	10.00	27.0 / 27.0	50
MCSKV-Pg 16 5x4	83582278	Black	Pg 16	M20/P16	5.0 x 4.0	52.00	10.00	27.0 / 27.0	50
MCSKV-Pg 16 6x4	83582280	Black	Pg 16	M20/P16	6.0 x 4.0	52.00	10.00	27.0 / 27.0	50
MCSKV-Pg 21 2x8	83582282	Black	Pg 21	M25/P21	2.0 x 8.0	60.00	11.00	33.0 / 33.0	50
MCSKV-Pg 21 3x7	83582284	Black	Pg 21	M25/P21	3.0 x 7.0	60.00	11.00	33.0 / 33.0	50
MCSKV-Pg 21 4x6	83582286	Black	Pg 21	M25/P21	4.0 x 6.0	60.00	11.00	33.0 / 33.0	50
MCSKV-Pg 09 4x1,4	83582210	Grey	Pg 09	M12/P09	4.0 x 1.4	45.00	8.00	19.0 / 19.0	50
MCSKV-Pg 09 4x3	83582212	Grey	Pg 09	M12/P09	4.0 x 3.0	45.00	8.00	19.0 / 19.0	50
MCSKV-Pg 11 2x3	83582214	Grey	Pg 11	M16/P11	2.0 x 3.0	49.00	8.00	22.0 / 22.0	50
MCSKV-Pg 11 2x4	83582216	Grey	Pg 11	M16/P11	2.0 x 4.0	49.00	8.00	22.0 / 22.0	50
MCSKV-Pg 11 3x3	83582218	Grey	Pg 11	M16/P11	3.0 x 3.0	49.00	8.00	22.0 / 22.0	50
MCSKV-Pg 13.5 2x5	83582220	Grey	Pg 13.5	DN 13	2.0 x 5.0	52.00	9.00	24.0 / 27.0	50
MCSKV-Pg 13.5 3x2	83582222	Grey	Pg 13.5	DN 13	3.0 x 2.0	52.00	9.00	24.0 / 27.0	50
MCSKV-Pg 13.5 3x4	83582224	Grey	Pg 13.5	DN 13	3.0 x 4.0	52.00	9.00	24.0 / 27.0	50
MCSKV-Pg 13.5 6x3	83582226	Grey	Pg 13.5	DN 13	6.0 x 3.0	52.00	9.00	24.0 / 27.0	50
MCSKV-Pg 16 2x6	83582228	Grey	Pg 16	M20/P16	2.0 x 6.0	52.00	10.00	27.0 / 27.0	50
MCSKV-Pg 16 3x3	83582230	Grey	Pg 16	M20/P16	3.0 x 3.0	52.00	10.00	27.0 / 27.0	50
MCSKV-Pg 16 3x4	83582232	Grey	Pg 16	M20/P16	3.0 x 4.0	52.00	10.00	27.0 / 27.0	50
MCSKV-Pg 16 3x6	83582234	Grey	Pg 16	M20/P16	3.0 x 6.0	52.00	10.00	27.0 / 27.0	50
MCSKV-Pg 16 4x4	83582236	Grey	Pg 16	M20/P16	4.0 x 4.0	52.00	10.00	27.0 / 27.0	50
MCSKV-Pg 16 5x4	83582238	Grey	Pg 16	M20/P16	5.0 x 4.0	52.00	10.00	27.0 / 27.0	50
MCSKV-Pg 16 6x4	83582240	Grey	Pg 16	M20/P16	6.0 x 4.0	52.00	10.00	27.0 / 27.0	50
MCSKV-Pg 21 2x8	83582242	Grey	Pg 21	M25/P21	2.0 x 8.0	60.00	11.00	33.0 / 33.0	50
MCSKV-Pg 21 3x7	83582244	Grey	Pg 21	M25/P21	3.0 x 7.0	60.00	11.00	33.0 / 33.0	50
MCSKV-Pg 21 4x6	83582246	Grey	Pg 21	M25/P21	4.0 x 6.0	60.00	11.00	33.0 / 33.0	50

Type KW 90° (conduit fitting)



PRODUCT INFORMATION

The angled KW 90° conduit fittings with plastic threading are made from specially modified polyamide. The materials are halogen, phosphor and cadmium-free. The KW 90° conduit fittings feature the following advantages:

- No parts can get lost, delivered completely assembled
- Tightness of IP 65 for static and dynamic application

- Integrated clamping ring ensures high tear-out strength
- Easy insertion of the cables through rounded inside bend

Specification:

- UL listed E 148958
- EN 45545-2 3x HL3

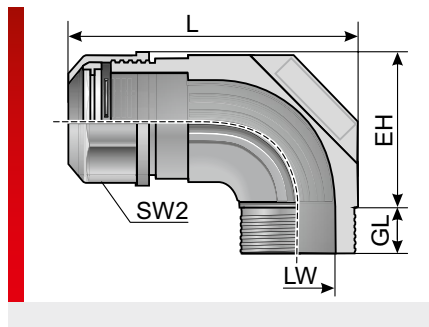
SPECIFICATIONS

- 40 – 110 °C short term 140 °C
- Fitting: Mod. polyamide PA 6
Clamping ring: Polyoxymethylene (POM)
- Acc. to UL94 V0 self-extinguishing
- IP 65



Type	Order No.	Colour	Connecting thread	Suitable for Murrflex	EH mm	L mm	GL mm	LW mm	SW 2 mm	Pack qty.
Metric thread										
KW-M16x1,5/9 ¹⁾	83565050	Black	M16x1,5	M12/P09	27.00	47.00	7.50	9.50	22.00	50
KW-M20x1,5/11 ¹⁾	83565052	Black	M20x1.5	M16/P11	29.00	51.00	8.00	13.00	24.00	50
KW-M25x1,5/16 ¹⁾	83565054	Black	M25x1.5	M20/P16(S)	35.00	56.00	10.00	16.00	30.00	50
KW-M32x1,5/21 ¹⁾	83565056	Black	M32x1.5	M25/P21(S)	41.00	67.00	12.00	22.00	38.00	25
KW-M40x1,5/29 ¹⁾	83565058	Black	M40x1.5	M32/P29(S)	53.00	82.00	12.00	28.00	46.00	25
Pg threads										
KW-Pg 09 ¹⁾	83561050	Black	Pg 09	M12/P09	27.00	45.00	7.50	9.50	22.00	50
KW-Pg 11 ¹⁾	83561052	Black	Pg 11	M16/P11	29.00	51.00	8.00	13.00	24.00	50
KW-Pg 13/16 ¹⁾	83561054	Black	Pg 13.5	M20/P16(S)	35.00	56.00	10.00	16.00	30.00	50
KW-Pg 16 ¹⁾	83561056	Black	Pg 16	M20/P16(S)	35.00	56.00	10.00	16.00	30.00	50
KW-Pg 21 ¹⁾	83561058	Black	Pg 21	M25/P21(S)	41.00	67.00	11.00	22.00	38.00	25
KW-Pg 29 ¹⁾	83561060	Black	Pg 29	M32/P29(S)	53.00	82.00	12.00	29.00	46.00	25
Grey variants										
KW-Pg 09 ¹⁾	83561010	Grey	Pg 09	M12/P09	27.00	45.00	7.50	9.50	22.00	50
KW-Pg 11 ¹⁾	83561012	Grey	Pg 11	M16/P11	29.00	51.00	8.00	13.00	24.00	50
KW-Pg 13/16 ¹⁾	83561014	Grey	Pg 13.5	M20/P16(S)	35.00	56.00	10.00	16.00	30.00	50
KW-Pg 16 ¹⁾	83561016	Grey	Pg 16	M20/P16(S)	35.00	56.00	10.00	16.00	30.00	50
KW-Pg 21 ¹⁾	83561018	Grey	Pg 21	M25/P21(S)	41.00	67.00	11.00	22.00	38.00	25

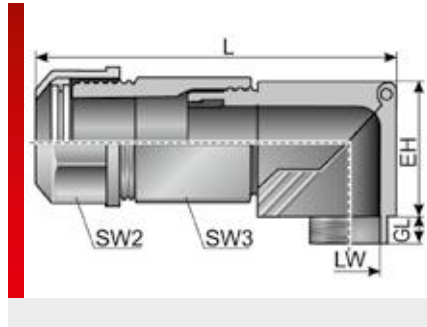
Type KW 90° (conduit fitting) (Continued...)



Type	Order No.	Colour	Connecting thread	Suitable for Murrflex	EH mm	L mm	GL mm	LW mm	SW 2 mm	Pack qty.
KW-Pg 29 ¹⁾	83561020	Grey	Pg 29	M32/P29(S)	53.00	82.00	12.00	29.00	46.00	25
NPT thread										
KW-3/8"/11 ¹⁾	83561451	Black	3/8"	M16/P11	29.00	51.00	8.00	13.00	24.00	50
KW-1/2"/16 ¹⁾	83561450	Black	1/2"	M20/P16(S)	35.00	56.00	10.00	16.00	30.00	50
KW-3/4"/21 ¹⁾	83561452	Black	3/4"	M25/P21(S)	41.00	67.00	11.00	21.00	38.00	25
KW-1"/29 ¹⁾	83561454	Black	1"	M32/P29(S)	53.00	82.00	12.00	27.00	46.00	25
KW-3/8"/11 ¹⁾	83561411	Grey	3/8"	M16/P11	29.00	51.00	8.00	13.00	24.00	50
KW-1/2"/16 ¹⁾	83561410	Grey	1/2"	M20/P16(S)	35.00	56.00	10.00	16.00	30.00	50
KW-3/4"/21 ¹⁾	83561412	Grey	3/4"	M25/P21(S)	41.00	67.00	11.00	21.00	38.00	25
KW-1"/29 ¹⁾	83561414	Grey	1"	M32/P29(S)	53.00	82.00	12.00	27.00	46.00	25

¹⁾ With cURus- approval

Type CKW (conduit and cable fitting)



PRODUCT INFORMATION

The angled and folding CKW 90° combined conduit and cable fittings with plastic threading are made from specially modified polyamide and perbunan. The materials are halogen, phosphor and cadmium-free. The CKW 90° conduit fittings feature the following advantages:

- No parts can get lost, delivered completely assembled
- Optimum strain relief for the cable due to iris-shaped lamellae

- Tightness of IP 65 for static and dynamic application
- Integrated clamping ring ensures high tear-out strength
- Folding angle piece makes cable assembly easy

Specification:

- EN 45545-2 3x HL3

SPECIFICATIONS

- 40 – 110 °C short term 140 °C
- Fitting: Mod. polyamide PA 6
Moulded seal: Perbunan (NBR)
- Acc. to UL94 V0 self-extinguishing
- IP 65



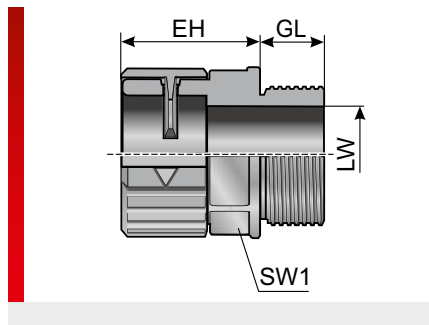
Type	Order No.	Colour	Connecting thread	Suitable for Murrflex	EH mm	GL mm	Clamping range (LW) mm	SW 2 / 3 mm	Pack qty.
Metric thread									
CKW-M16x1.5/9	83584250	Black	M16x1,5	M12/P09	23.00	8.00	4.0 – 8.0	22.0 / 22.0	50
CKW-M20x1.5/16	83584256	Black	M20x1.5	M20/P16	32.00	9.00	6.0 – 12.0	27.0 / 27.0	50
CKW-M25x1.5/21	83584258	Black	M25x1.5	M25/P21	40.00	12.00	13.0 – 18.0	33.0 / 33.0	10
CKW-M32x1.5/29 ¹⁾	83584260	Black	M32x1.5	M32/P29	50.00	12.00	18.0 – 25.0	42.0 / 42.0	25
Pg threads									
CKW-Pg 09	83581050	Black	Pg 09	M12/P09	23.00	8.00	4.0 – 8.0	19.0 / 19.0	50
CKW-Pg 11	83581052	Black	Pg 11	M16/P11	28.00	8.00	5.0 – 10.0	22.0 / 22.0	50
CKW-Pg 16	83581054	Black	Pg 16	M20/P16	37.00	11.00	10.0 – 14.0	27.0 / 27.0	50
CKW-Pg 21	83581056	Black	Pg 21	M25/P21	39.00	11.00	13.0 – 18.0	33.0 / 33.0	25
CKW-Pg 29 ¹⁾	83581058	Black	Pg 29	M32/P29	50.00	11.00	18.0 – 25.0	42.0 / 42.0	25

¹⁾With cURus- approval



m-fix conduit fitting

Type MSV (plug-in fitting)



PRODUCT INFORMATION

The MSV conduit fittings are made of specially modified polyamide 6. The materials are halogen, phosphor and cadmium-free. The affordable MSV conduit fittings feature the following advantages:

- No parts can get lost, delivered completely assembled
- Cost reduction through simple assembly work, insert conduit and done

- Simple opening mechanism
- Tightness of IP 54 for static and dynamic application, IP 65 with additional mounting of an O-ring

Specification:
• EN 45545-2 3x HL3

SPECIFICATIONS

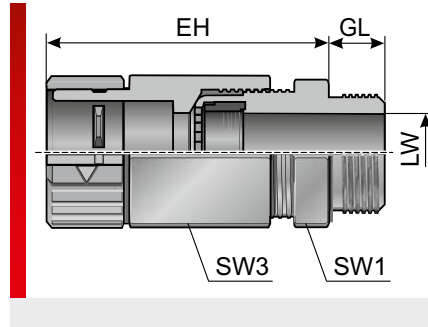
- 40 – 110 °C short term 140 °C
- Fitting: Mod. polyamide PA 6
- Acc. to UL94 V0 self-extinguishing
- IP 54
IP 65 with sealing ring DR-NBR

Type	Order No.	Colour	Connecting thread	Suitable for Murrflex	EH mm	GL mm	LW mm	SW 1 mm	Pack qty.
Metric thread									
MSV-M12x1.5/7	83602450	Black	M12x1.5	M10/P07	19.00	13.00	8.00	16.00	50
MSV-M12x1.5/9	83602452	Black	M12x1.5	M12/P09	19.00	13.00	8.00	18.00	50
MSV-M12x1.5/11	83602456	Black	M12x1.5	M16/P11	23.00	13.00	8.00	21.00	50
MSV-M16x1.5/9	83602454	Black	M16x1,5	M12/P09	19.00	13.00	12.00	18.00	50
MSV-M16x1.5/11	83602458	Black	M16x1,5	M16/P11	23.00	13.00	12.00	21.00	50
MSV-M20x1.5/11	83602459	Black	M20x1.5	M16/P11	23.00	14.00	13.50	21.00	50
MSV-M20x1.5/16	83602460	Black	M20x1.5	M20/P16(S)	27.00	14.00	15.00	27.00	50
MSV-M25x1.5/16	83602461	Black	M25x1.5	M20/P16(S)	26.00	14.00	19.00	27.00	50
MSV-M25x1.5/21	83602462	Black	M25x1.5	M25/P21(S)	32.00	14.00	21.00	36.00	50
MSV-M32x1.5/21	83602463	Black	M32x1.5	M25/P21(S)	32.00	14.00	26.00	36.00	50
MSV-M32x1.5/29	83602464	Black	M32x1.5	M32/P29(S)	34.00	14.00	27.00	40.00	25
MSV-M40x1.5/29	83602465	Black	M40x1.5	M32/P29(S)	34.00	14.00	32.00	40.00	25
MSV-M40x1.5/36	83602466	Black	M40x1.5	M40/P36(S)	38.00	16.00	34.00	49.00	10
MSV-M50x1.5/36	83602467	Black	M50x1.5	M40/P36(S)	37.50	16.00	40.00	49.00	10
MSV-M50x1.5/48	83602468	Black	M50x1.5	M50/P48(S)	39.00	16.00	44.00	60.00	10
MSV-M63x1.5/48	83602469	Black	M63x1.5	M50/P48(S)	38.50	16.00	52.00	60.00	10
MSV-M12x1.5/7	83602410	Grey	M12x1.5	M10/P07	19.00	13.00	8.00	16.00	50
MSV-M12x1.5/9	83602412	Grey	M12x1.5	M12/P09	19.00	13.00	8.00	18.00	50
MSV-M12x1.5/11	83602416	Grey	M12x1.5	M16/P11	23.00	13.00	8.00	21.00	50
MSV-M16x1.5/9	83602414	Grey	M16x1,5	M12/P09	19.00	13.00	12.00	18.00	50
MSV-M16x1.5/11	83602418	Grey	M16x1,5	M16/P11	23.00	13.00	12.00	21.00	50
MSV-M20x1.5/11	83602419	Grey	M20x1.5	M16/P11	23.00	14.00	13.50	21.00	50
MSV-M20x1.5/16	83602420	Grey	M20x1.5	M20/P16(S)	27.00	14.00	15.00	27.00	50
MSV-M25x1.5/16	83602421	Grey	M25x1.5	M20/P16(S)	26.00	14.00	19.00	27.00	50

Type MSV (plug-in fitting) (Continued...)

Type	Order No.	Colour	Connecting thread	Suitable for Murrflex	EH mm	GL mm	LW mm	SW 1 mm	Pack qty.
MSV-M25x1.5/21	83602422	Grey	M25x1.5	M25/P21(S)	32.00	14.00	21.00	36.00	50
MSV-M32x1.5/21	83602423	Grey	M32x1.5	M25/P21(S)	32.00	14.00	26.00	36.00	50
MSV-M32x1.5/29	83602424	Grey	M32x1.5	M32/P29(S)	34.00	14.00	27.00	40.00	25
MSV-M40x1.5/29	83602425	Grey	M40x1.5	M32/P29(S)	34.00	14.00	32.00	40.00	25
MSV-M40x1.5/36	83602426	Grey	M40x1.5	M40/P36(S)	38.00	16.00	34.00	49.00	10
MSV-M50x1.5/36	83602427	Grey	M50x1.5	M40/P36(S)	37.50	16.00	40.00	49.00	10
MSV-M50x1.5/48	83602428	Grey	M50x1.5	M50/P48(S)	39.00	16.00	44.00	60.00	10
MSV-M63x1.5/48	83602429	Grey	M63x1.5	M50/P48(S)	38.50	16.00	52.00	60.00	10
Pg plastic threading									
MSV-Pg 07	83601050	Black	Pg 07	M10/P07	19.00	9.00	8.00	16.00	50
MSV-Pg 09	83601052	Black	Pg 09	M12/P09	19.00	10.00	9.60	18.00	50
MSV-Pg 11	83601054	Black	Pg 11	M16/P11	23.00	10.00	13.80	21.00	50
MSV-Pg 13,5/11	83601055	Black	Pg 13.5	M16/P11	23.00	13.00	12.00	21.00	50
MSV-Pg 13,5/16	83601056	Black	Pg 13.5	M20/P16(S)	27.00	13.00	15.50	27.00	50
MSV-Pg 16/09	83601057	Black	Pg 16	M12/P09	19.00	13.00	27.00	27.00	50
MSV-Pg 16	83601058	Black	Pg 16	M20/P16(S)	27.00	13.00	17.00	27.00	50
MSV-Pg 21/16	83601059	Black	Pg 21	M20/P16	26.00	14.00	36.00	36.00	50
MSV-Pg 21	83601060	Black	Pg 21	M25/P21(S)	32.00	14.00	23.00	36.00	50
MSV-Pg 29	83601062	Black	Pg 29	M32/P29(S)	35.00	14.00	28.00	40.00	25
MSV-Pg 36	83601064	Black	Pg 36	M40/P36(S)	38.00	15.00	40.00	49.00	10
MSV-Pg 48	83601066	Black	Pg 48	M50/P48(S)	39.00	17.00	47.00	60.00	10
MSV-Pg 07	83601010	Grey	Pg 07	M10/P07	19.00	9.00	8.00	16.00	50
MSV-Pg 09	83601012	Grey	Pg 09	M12/P09	19.00	10.00	9.60	18.00	50
MSV-Pg 11	83601014	Grey	Pg 11	M16/P11	23.00	10.00	13.80	21.00	50
MSV-Pg 13,5/11	83601015	Grey	Pg 13.5	M16/P11	23.00	13.00	12.00	21.00	50
MSV-Pg 13,5/16	83601016	Grey	Pg 13.5	M20/P16(S)	27.00	13.00	15.50	27.00	50
MSV-Pg 16/09	83601017	Grey	Pg 16	M12/P09	19.00	13.00	27.00	27.00	50
MSV-Pg 16	83601018	Grey	Pg 16	M20/P16(S)	27.00	13.00	17.00	27.00	50
MSV-Pg 21/16	83601019	Grey	Pg 21	M20/P16	26.00	14.00	36.00	36.00	50
MSV-Pg 21	83601020	Grey	Pg 21	M25/P21(S)	32.00	14.00	23.00	36.00	50
MSV-Pg 29	83601022	Grey	Pg 29	M32/P29(S)	35.00	14.00	28.00	40.00	25
MSV-Pg 36	83601024	Grey	Pg 36	M40/P36(S)	38.00	15.00	40.00	49.00	10
MSV-Pg 48	83601026	Grey	Pg 48	M50/P48(S)	39.00	17.00	47.00	60.00	10
NPT plastic threading									
MSV NPT 3/8"/11	83602650	Black	3/8"	M16/P11(S)	32.00	8.00	12.00	21.00	50
MSV-NPT 1/2"/16	83602652	Black	1/2"	M20/P16(S)	27.00	14.00	15.00	27.00	50
MSV-NPT 3/4"/21	83602654	Black	3/4"	M25/P21(S)	32.00	14.00	20.50	36.00	50
MSV-NPT 1"/29	83602656	Black	1"	M32/P29(S)	35.00	16.00	26.50	40.00	25
MSV NPT 3/8"/11	83602610	Grey	3/8"	M16/P11(S)	32.00	8.00	12.00	21.00	50
MSV-NPT 1/2"/16	83602612	Grey	1/2"	M20/P16(S)	27.00	14.00	15.00	27.00	50
MSV-NPT 3/4"/21	83602614	Grey	3/4"	M25/P21(S)	32.00	14.00	20.50	36.00	50
MSV-NPT 1"/29	83602616	Grey	1"	M32/P29(S)	35.00	16.00	26.50	40.00	25

Type KSV (conduit and cable fitting)



PRODUCT INFORMATION

The KSV combined conduit and cable fittings are made of specially modified polyamide 6. The materials are halogen, phosphor and cadmium-free.

The KSV combined conduit and cable fittings feature the following advantages:

- Optimum strain relief for the cable
- Cost reduction through simplification of assembly of conduit, insert conduit and done

- No parts can get lost, as the fitting does not have to be dismantled for assembly
- Tightness of IP 54 for static and dynamic application, IP 65 with additional mounting of an O-ring

Specification:

- EN 45545-2 3x HL3

SPECIFICATIONS

- 40 – 110 °C short term 140 °C
- Fitting: Mod. polyamide PA 6
Moulded seal: NBR
- Acc. to UL94 V0 self-extinguishing
- IP 54
IP 65 with sealing ring DR-NBR

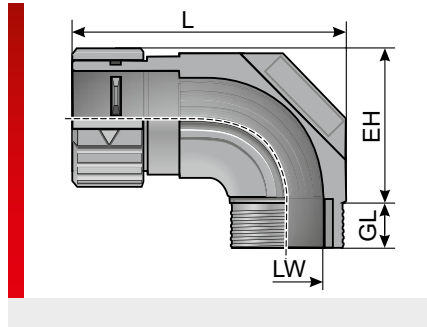
Type	Order No.	Colour	Connecting thread	Suitable for Murrflex	Clamping range (LW) mm	SW 1 / 3 mm	Pack qty.
Metric thread							
KSV-M16x1.5/9	83611450	Black	M16x1,5	M12/P09	4.0 – 8.0	19.0	50
KSV-M16x1.5/11	83611452	Black	M16x1,5	M16/P11	5.0 – 10.0	22.0	50
KSV-M20x1.5/16	83611456	Black	M20x1.5	M20/P16(S)	10.0 – 14.0	24.0 / 27.0	50
KSV-M25x1.5/21	83611458	Black	M25x1.5	M25/P21(S)	13.0 – 18.0	33.0	50
KSV-M32x1.5/29	83611460	Black	M32x1.5	M32/P29(S)	18.0 – 25.0	42.0	25
Grey variants							
KSV-M16x1.5/9	83611410	Grey	M16x1,5	M12/P09	4.0 – 8.0	19.0	50
KSV-M16x1.5/11	83611412	Grey	M16x1,5	M16/P11	5.0 – 10.0	22.0	50
KSV-M20x1.5/16	83611416	Grey	M20x1.5	M20/P16(S)	10.0 – 14.0	24.0 / 27.0	50
KSV-M25x1.5/21	83611418	Grey	M25x1.5	M25/P21(S)	13.0 – 18.0	33.0	50
KSV-M32x1.5/29	83611420	Grey	M32x1.5	M32/P29(S)	18.0 – 25.0	42.0	25
Pg plastic threading							
KSV-Pg 09	83611250	Black	Pg 09	M12/P09	4.0 – 8.0	19.0	50
KSV-Pg 11	83611252	Black	Pg 11	M16/P11	5.0 – 10.0	22.0	50
KSV-Pg 13/11	83611253	Black	Pg 13	M16/P11	6.0 – 12.0	27.0 / 24.0	50
KSV-Pg 13,5/16 ¹⁾	83611254	Black	Pg 13.5	M20/P16(S)	6.0 – 12.0	24.0 / 27.0	50
KSV-Pg 16	83611256	Black	Pg 16	M20/P16(S)	10.0 – 14.0	27.0	50
KSV-Pg 16/21	83611257	Black	Pg 16	M25/P21	13.0 – 18.0	33.0	50
KSV-Pg 21	83611258	Black	Pg 21	M25/P21(S)	13.0 – 18.0	33.0	50
KSV-Pg 29	83611260	Black	Pg 29	M32/P29(S)	18.0 – 25.0	42.0	25
Pg threads							
KSV-Pg 09	83611210	Grey	Pg 09	M12/P09	4.0 – 8.0	19.0	50
KSV-Pg 11	83611212	Grey	Pg 11	M16/P11	5.0 – 10.0	22.0	50

Type KSV (conduit and cable fitting) (Continued...)

Type	Order No.	Colour	Connecting thread	Suitable for Murrflex	Clamping range (LW) mm	SW 1 / 3 mm	Pack qty.
KSV PG 13/11	83611213	Grey	Pg 13	M16/P11	6.0 – 12.0	27.0 / 24.0	50
KSV-Pg 13,5/16 ¹⁾	83611214	Grey	Pg 13.5	M20/P16(S)	6.0 – 12.0	24.0 / 27.0	50
KSV-Pg 16	83611216	Grey	Pg 16	M20/P16(S)	10.0 – 14.0	27.0	50
KSV-Pg 16/21	83611217	Grey	Pg 16	M25/P21	13.0 – 18.0	33.0	50
KSV-Pg 21	83611218	Grey	Pg 21	M25/P21(S)	13.0 – 18.0	33.0	50
KSV-Pg 29	83611220	Grey	Pg 29	M32/P29(S)	18.0 – 25.0	42.0	25
NPT plastic threading							
KSV 3/8"/9	83613250	Black	3/8"	M12/P09	4.0 – 8.0	19.0	50
KSV 1/2"/16	83613256	Black	1/2"	M20/P16	10.0 – 14.0	27.0	50
KSV 3/4"/21	83613258	Black	3/4"	M25/P21(S)	13.0 – 18.0	33.0	25
KSV 1"-/29	83613260	Black	1"	M32/P29	18.0 – 25.0	42.0	25
KSV 3/8"/9	83613210	Grey	3/8"	M12/P09	4.0 – 8.0	19.0	50
KSV 1/2"/16	83613216	Grey	1/2"	M20/P16(S)	10.0 – 14.0	27.0	50
KSV 3/4"/21	83613218	Grey	3/4"	M25/P21(S)	13.0 – 18.0	33.0	25
KSV 1"-/29	83613220	Grey	1"	M32/P29(S)	18.0 – 25.0	42.0	25

¹⁾ Part to be phased out!

Type WSV 90° (angle plug-in fitting)



PRODUCT INFORMATION

The WSV conduit fittings are made of specially modified polyamide 6. The materials are halogen, phosphor and cadmium-free. The affordable MSV conduit fittings feature the following advantages:

- No parts can get lost, delivered completely assembled
- Cost reduction through simple assembly work, insert conduit and done

- Simple opening mechanism
- Tightness of IP 54 for static and dynamic application, IP 65 with additional mounting of an O-ring

Specification:

- EN 45545-2 3x HL3

SPECIFICATIONS

- 40 – 110 °C short term 140 °C
- Fitting: Mod. polyamide PA 6
- Acc. to UL94 V0 self-extinguishing
- IP 54
IP 65 with sealing ring DR-NBR

Type	Order No.	Colour	Connecting thread	Suitable for Murrflex	EH mm	GL mm	LW mm	Pack qty.
Metric thread								
WSV-M16x1.5/9	83605050	Black	M16x1,5	M12/P09	26.00	7.50	10.00	50
WSV-M20x1.5/11	83605052	Black	M20x1.5	M16/P11	29.00	8.00	12.00	50
WSV-M25x1.5/16	83605054	Black	M25x1.5	M20/P16(S)	32.00	10.00	16.00	50
WSV-M32x1.5/21	83605056	Black	M32x1.5	M25/P21(S)	39.00	11.00	22.00	25
WSV-M40x1.5/29	83605058	Black	M40x1.5	M32/P29(S)	51.00	12.00	28.00	25
WSV-M50x1.5/36	83605060	Black	M50x1.5	M40/P36(S)	70.00	15.00	35.00	10
WSV-M63x1.5/48	83605062	Black	M63x1.5	M50/P48(S)	96.00	15.00	49.00	10
Grey variants								
WSV-M16x1.5/9	83605010	Grey	M16x1,5	M12/P09	26.00	7.50	10.00	50
WSV-M20x1.5/11	83605012	Grey	M20x1.5	M16/P11	29.00	8.00	12.00	50
WSV-M25x1.5/16	83605014	Grey	M25x1.5	M20/P16(S)	32.00	10.00	16.00	50
WSV-M32x1.5/21	83605016	Grey	M32x1.5	M25/P21(S)	39.00	11.00	22.00	25
WSV-M40x1.5/29	83605018	Grey	M40x1.5	M32/P29(S)	51.00	12.00	28.00	25
WSV-M50x1.5/36	83605020	Grey	M50x1.5	M40/P36(S)	70.00	15.00	35.00	10
WSV-M63x1.5/48	83605022	Grey	M63x1.5	M50/P48(S)	96.00	15.00	49.00	10
Pg threads								
WSV-Pg 09	83601450	Black	Pg 09	M12/P09	28.50	8.00	13.00	50
WSV-Pg 11	83601452	Black	Pg 11	M16/P11	28.50	8.00	13.00	50
WSV-Pg 13.5/16	83601454	Black	Pg 13.5	M20/P16(S)	32.00	10.00	16.00	50
WSV-Pg 16	83601456	Black	Pg 16	M20/P16(S)	32.00	10.00	16.00	50
WSV-Pg 21	83601458	Black	Pg 21	M25/P21(S)	38.50	11.50	22.00	25
WSV-Pg 29	83601460	Black	Pg 29	M32/P29(S)	50.50	12.00	28.00	25
WSV-Pg 36	83601462	Black	Pg 36	M40/P36(S)	70.00	15.50	35.00	10
WSV-Pg 48	83601464	Black	Pg 48	M50/P48(S)	96.00	16.00	49.00	10

Type WSV 90° (angle plug-in fitting) (Continued...)

Type	Order No.	Colour	Connecting thread	Suitable for Murrflex	EH mm	GL mm	LW mm	Pack qty.
WSV-Pg 09	83601410	Grey	Pg 09	M12/P09	28.50	8.00	13.00	50
WSV-Pg 11	83601412	Grey	Pg 11	M16/P11	28.50	8.00	13.00	50
WSV-Pg 13.5/16	83601414	Grey	Pg 13.5	M20/P16(S)	32.00	10.00	16.00	50
WSV-Pg 16	83601416	Grey	Pg 16	M20/P16(S)	32.00	10.00	16.00	50
WSV-Pg 21	83601418	Grey	Pg 21	M25/P21(S)	38.50	11.50	22.00	25
WSV-Pg 29	83601420	Grey	Pg 29	M32/P29(S)	50.50	12.00	28.00	25
WSV-Pg 36	83601422	Grey	Pg 36	M40/P36(S)	70.00	15.50	35.00	10
WSV-Pg 48	83601424	Grey	Pg 48	M50/P48(S)	96.00	16.00	49.00	10
NPT thread								
WSV-NPT-3/8"/11	83602052	Black	3/8"	M16/P11	28.00	8.00	13.00	50
WSV-NPT-1/2"/16	83602056	Black	1/2"	M20/P16(S)	32.00	10.00	16.00	50
WSV-NPT-3/4"/21	83602058	Black	3/4"	M25/P21(S)	39.00	10.00	22.00	25
WSV-NPT-1"/29	83602060	Black	1"	M32/P29(S)	51.00	12.00	28.00	25
WSV-NPT-3/8"/11	83602012	Grey	3/8"	M16/P11	28.00	8.00	13.00	50
WSV-NPT-1/2"/16	83602016	Grey	1/2"	M20/P16(S)	32.00	10.00	16.00	50
WSV-NPT-3/4"/21	83602018	Grey	3/4"	M25/P21(S)	39.00	10.00	22.00	25
WSV-NPT-1"/29	83602020	Grey	1"	M32/P29(S)	51.00	12.00	28.00	25

Type DR-NBR (sealing ring)



PRODUCT INFORMATION

The sealing ring DR-NBR enables the protection rating on conduit fittings MSV, KSV and WSV to be increased from IP 54 to IP 65. To do so, simply insert the sealing ring into the first recess at the end of the cable protection conduit.

To guarantee reliable installation, the clamping ring should be unlocked before the

conduit is assembled. Following assembly of the cable protection conduit in the conduit fitting, protection rating IP 65 is achieved. The sealing ring can only be used for cable protection conduits with standard corrugation and crush resistance > 400 N/100 mm.

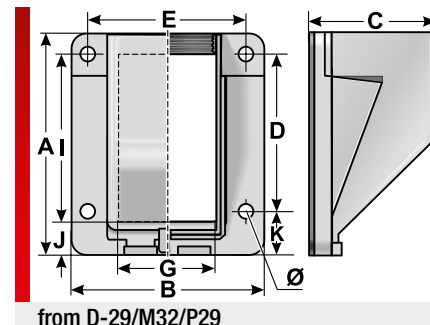
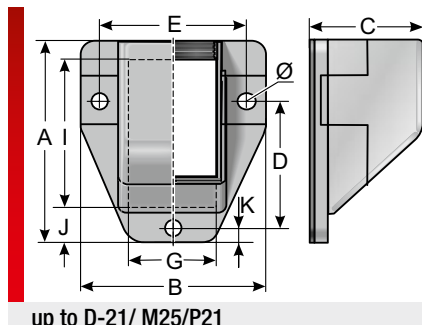
SPECIFICATIONS

	-25 – 120 °C
	Perbunan (NBR)

Type	Order No.	Colour	Suitable for Murrflex	Pack qty.
DR-NBR M10/P7	83481410	Black	M10/P07	50
DR-NBR M12/P9	83481412	Black	M12/P09	50
DR-NBR M16/P11	83481414	Black	M16/P11	50
DR-NBR M20/P16	83481416	Black	M20/P16	50
DR-NBR M25/P21	83481418	Black	M25/P21	50
DR-NBR M32/P29	83481420	Black	M32/P29	25
DR-NBR M40/P36	83481422	Black	M40/P36	10
DR-NBR M50/P48	83481424	Black	M50/P48	10



Type KFW



PRODUCT INFORMATION

The KFW bulkhead fittings are made of specially modified polyamide 6. The material is self-extinguishing, and halogen, phosphor and cadmium-free. Bulkhead fittings are available with a metric or Pg thread. The KFW bulkhead fittings with thread are used with both cable and conduit fittings. The KFW bulkhead fittings feature the following advantages:

- System divided in two for very quick and easy installation of cables
- Subsequent installation of cables is simplified by removable upper part
- Gasket included in delivery

Specification:

- EN 45545-2 3x HL3

SPECIFICATIONS

- 40 – 110 °C short term 140 °C
- Fitting: Mod. polyamide PA 6
Moulded seal: Neoprene (CR)
- Acc. to UL94 V0 self-extinguishing
- IP 65

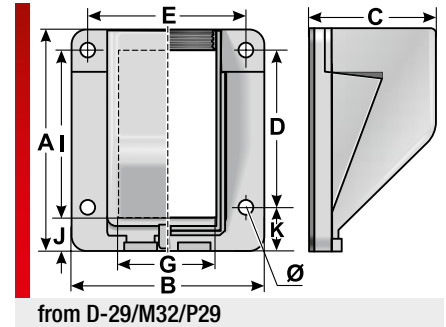
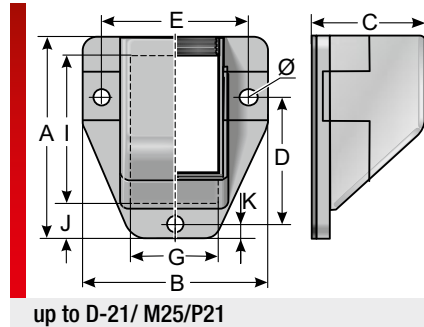


Type	Order No.	Colour	Internal thread	A mm	B mm	C mm	D mm	E mm	G mm	I mm	J mm	K mm	Ø mm	Pack qty.
Metric thread														
KFW-M16x1,5	83562450	Black	M16x1,5	49.00	47.00	35.00	29.00	37.00	22.50	27.00	11.00	4.50	4.30	10
KFW-M20x1,5	83562452	Black	M20x1,5	49.00	47.00	35.00	29.00	37.00	22.50	27.00	11.00	4.50	4.30	10
KFW-M25x1,5	83562454	Black	M25x1,5	69.00	65.00	44.00	41.50	51.50	30.00	42.50	15.00	6.00	6.00	10
KFW-M32x1,5	83562456	Black	M32x1,5	90.00	78.00	55.00	64.50	64.50	40.00	68.00	9.00	16.00	6.50	10
KFW-M40x1,5	83562458	Black	M40x1,5	99.00	94.00	66.00	79.50	79.50	48.50	74.50	9.50	10.00	6.50	10
KFW-M50x1,5	83562460	Black	M50x1,5	116.00	101.00	76.00	87.50	87.50	68.50	89.50	9.50	16.00	6.50	10
Pg threads														
KFW-11	83561650	Black	Pg 11	49.00	47.00	35.00	29.00	37.00	22.50	27.00	11.00	4.50	4.30	10
KFW-16	83561652	Black	Pg 16	49.00	47.00	35.00	29.00	37.00	22.50	27.00	11.00	4.50	4.30	10
KFW-21	83561654	Black	Pg 21	69.00	65.00	44.00	41.50	51.50	30.00	42.50	15.00	6.00	6.00	10
KFW-29	83561656	Black	Pg 29	90.00	78.00	55.00	64.50	64.50	40.00	68.00	9.00	16.00	6.50	10
KFW-36	83561658	Black	Pg 36	99.00	94.00	66.00	79.50	79.50	48.50	74.50	9.50	10.00	6.50	10
KFW-48	83561660	Black	Pg 48	116.00	101.00	76.00	87.50	87.50	68.50	89.50	9.50	16.00	6.50	10
KFW-11	83561610	Grey	Pg 11	49.00	47.00	35.00	29.00	37.00	22.50	27.00	11.00	4.50	4.30	10
KFW-16	83561612	Grey	Pg 16	49.00	47.00	35.00	29.00	37.00	22.50	27.00	11.00	4.50	4.30	10
KFW-21	83561614	Grey	Pg 21	69.00	65.00	44.00	41.50	51.50	30.00	42.50	15.00	6.00	6.00	10

Type KFW (Continued...)

Type	Order No.	Colour	Internal thread	A mm	B mm	C mm	D mm	E mm	G mm	I mm	J mm	K mm	Ø mm	Pack qty.
KFW-29	83561616	Grey	Pg 29	90.00	78.00	55.00	64.50	64.50	40.00	68.00	9.00	16.00	6.50	10
KFW-36	83561618	Grey	Pg 36	99.00	94.00	66.00	79.50	79.50	48.50	74.50	9.50	10.00	6.50	10
KFW-48	83561620	Grey	Pg 48	116.00	101.00	76.00	87.50	87.50	68.50	89.50	9.50	16.00	6.50	10

Type KFW/D



PRODUCT INFORMATION

The KFW bulkhead fittings are made of specially modified polyamide 6. The material is self-extinguishing, and halogen, phosphor and cadmium-free. With the KFW/D and KFW/X bulkhead fittings, the cable protection conduits EW with standard corrugation and EWX with high corrugation can be directly mounted. The KFW bulkhead fittings feature the following advantages:

- System divided in two for very quick and easy installation of cables
- Subsequent installation of cables is simplified by the removable upper part
- Gasket included in delivery
- No extra fittings are required

Specification:

- EN 45545-2 3x HL3

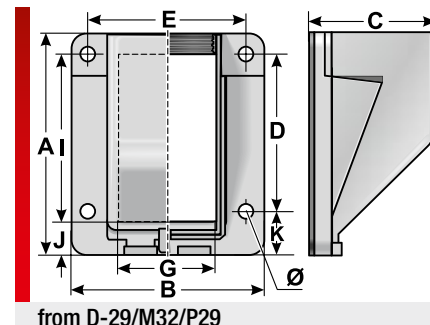
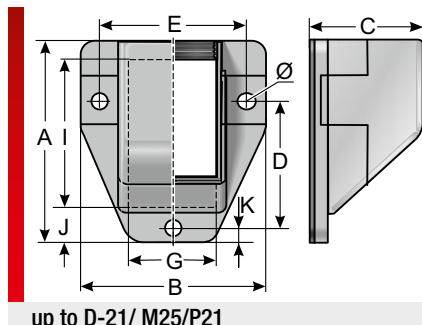
SPECIFICATIONS

- 40 – 110 °C short term 140 °C
- Fitting: Mod. polyamide PA 6
Moulded seal: Neoprene (CR)
- Acc. to UL94 V0 self-extinguishing
- IP 54



Type	Order No.	Colour	Suitable for Murrflex	A mm	B mm	C mm	D mm	E mm	G mm	I mm	J mm	K mm	Ø mm	Pack qty.
For cable protection conduits with standard corrugation, type EW-xx and EWT-xx														
KFW/D-11	83561850	Black	M16/P11	49.00	47.00	35.00	29.00	37.00	22.50	27.00	11.00	4.50	4.30	10
KFW/D-16	83561852	Black	M20/P16(S)	49.00	47.00	35.00	29.00	37.00	22.50	27.00	11.00	4.50	4.30	10
KFW/D-21	83561854	Black	M25/P21(S)	69.00	65.00	44.00	41.50	51.50	30.00	42.50	15.00	6.00	6.00	10
KFW/D-29	83561856	Black	M32/P29(S)	90.00	78.00	55.00	64.50	64.50	40.00	68.00	9.00	16.00	6.50	10
KFW/D-36	83561858	Black	M40/P36(S)	99.00	94.00	66.00	79.50	79.50	48.50	74.50	9.50	10.00	6.50	10
KFW/D-48	83561860	Black	M50/P48(S)	116.00	101.00	76.00	87.50	87.50	68.50	89.50	9.50	16.00	6.50	10
KFW/D-11	83561810	Grey	M16/P11	49.00	47.00	35.00	29.00	37.00	22.50	27.00	11.00	4.50	4.30	10
KFW/D-16	83561812	Grey	M20/P16(S)	49.00	47.00	35.00	29.00	37.00	22.50	27.00	11.00	4.50	4.30	10
KFW/D-21	83561814	Grey	M25/P21(S)	69.00	65.00	44.00	41.50	51.50	30.00	42.50	15.00	6.00	6.00	10
KFW/D-29	83561816	Grey	M32/P29(S)	90.00	78.00	55.00	64.50	64.50	40.00	68.00	9.00	16.00	6.50	10
KFW/D-36	83561818	Grey	M40/P36(S)	99.00	94.00	66.00	79.50	79.50	48.50	74.50	9.50	10.00	6.50	10
KFW/D-48	83561820	Grey	M50/P48(S)	116.00	101.00	76.00	87.50	87.50	68.50	89.50	9.50	16.00	6.50	10

Type KFW/X



PRODUCT INFORMATION

The KFW bulkhead fittings are made of specially modified polyamide 6. The material is self-extinguishing, and halogen, phosphor and cadmium-free.

With the KFW/D and KFW/X bulkhead fittings, the cable protection conduits EW with standard corrugation and EWX with high corrugation can be directly mounted.

The KFW bulkhead fittings feature the following advantages:

- System divided in two for very quick and easy installation of cables
- Subsequent installation of cables is simplified by removable upper part
- Gasket included in delivery
- No extra fittings are required

Specification:

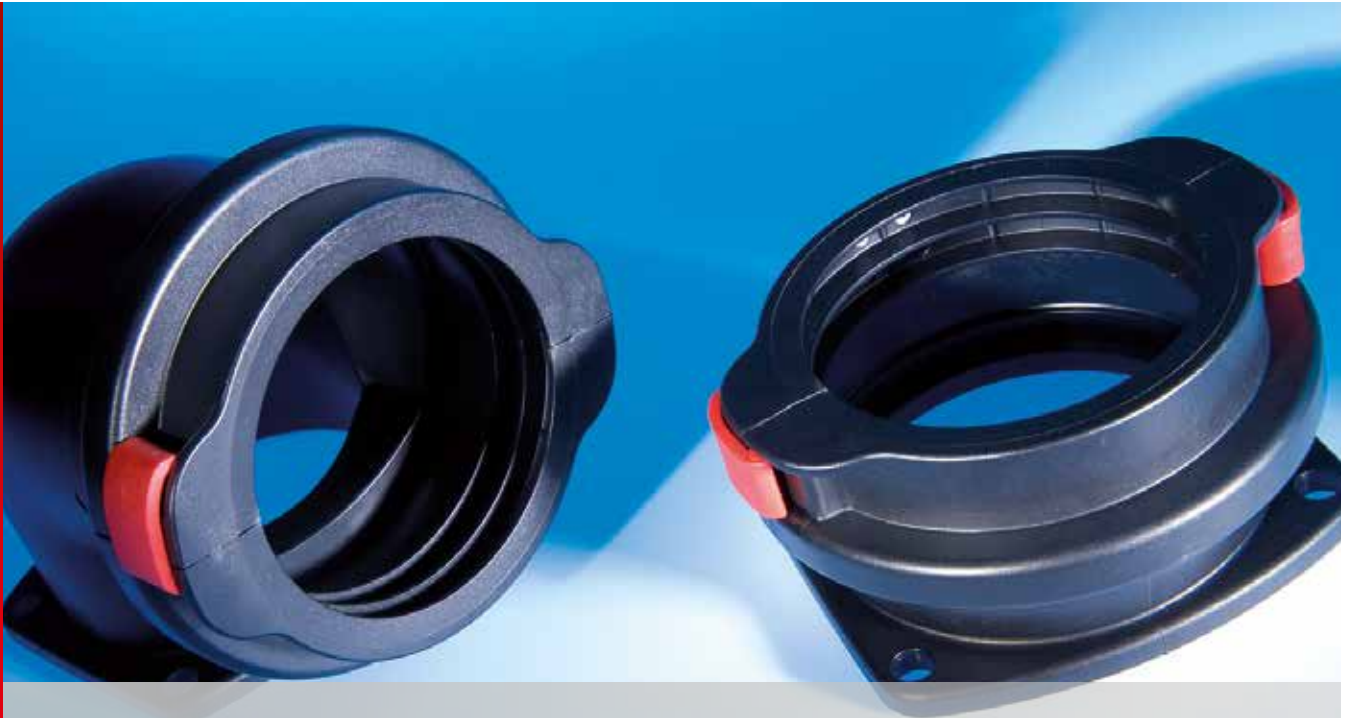
- EN 45545-2 3x HL3

SPECIFICATIONS

- 40 – 110 °C short term 140 °C
- Fitting: Mod. polyamide PA 6
Moulded seal: Neoprene (CR)
- Acc. to UL94 V0 self-extinguishing
- IP 54

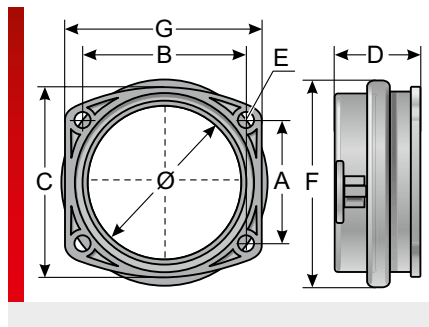


Type	Order No.	Colour	Suitable for Murrflex	A mm	B mm	C mm	D mm	E mm	G mm	I mm	J mm	K mm	Ø mm	Pack qty.
For cable protection conduits with high corrugation, type EWX-xx														
KFW/X M25/P21	83562654	Black	M25/P21	69.00	65.00	44.00	41.50	51.50	30.00	42.50	15.00	6.00	6.00	10
KFW/X M32/P29	83562656	Black	M32/P29	90.00	78.00	55.00	64.50	64.50	40.00	68.00	9.00	16.00	6.50	10
KFW/X M40/P36	83562658	Black	M40/P36	99.00	94.00	66.00	79.50	79.50	48.50	74.50	9.50	10.00	6.50	10
KFW/X M50/P48	83562660	Black	M50/P48	116.00	101.00	76.00	87.50	87.50	68.50	89.50	9.50	16.00	6.50	10
KFW/X M25/P21	83562614	Grey	M25/P21	69.00	65.00	44.00	41.50	51.50	30.00	42.50	15.00	6.00	6.00	10
KFW/X M32/P29	83562616	Grey	M32/P29	90.00	78.00	55.00	64.50	64.50	40.00	68.00	9.00	16.00	6.50	10
KFW/X M40/P36	83562618	Grey	M40/P36	99.00	94.00	66.00	79.50	79.50	48.50	74.50	9.50	10.00	6.50	10
KFW/X M50/P48	83562620	Grey	M50/P48	116.00	101.00	76.00	87.50	87.50	68.50	89.50	9.50	16.00	6.50	10



m-jumbo conduit connection

Type SA-Jumbo (flange connection)



PRODUCT INFORMATION

Die SA-Jumbo flange connections are made of specially modified polyamide. The material is halogen, phosphor and cadmium-free. The SA-Jumbo flange connections feature the following advantages:

- Split ring makes assembly easy
- Tightness of IP 52 without DS seal
- Tightness of IP 65 with DS seal (DS seal must be ordered separately if required)

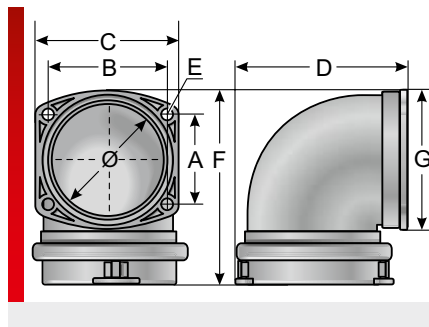
- Dimensionally stable connection ring ensures high tear-out strength
- Safety clips ensure protection against connection ring opening by itself
- O-ring for fastening flange included in delivery

SPECIFICATIONS

- 40 – 110 °C short term 140 °C
- UL listed material
Mod. polyamide PA 6
- Acc. to UL94 V0 self-extinguishing
- IP 52
IP 65 with sealing ring DS

Type	Order No.	Colour	A mm	B mm	C mm	D mm	E mm	F mm	G mm	Ø mm	Pack qty.
SA 56	83681020	Black	60.00	66.00	85.00	50.00	6.50	94.00	86.00	60.00	1
SA 70	83681014	Black	60.00	80.00	94.00	52.00	7.50	106.00	96.00	70.00	1
SA 95	83681016	Black	74.00	108.00	126.00	52.00	7.50	132.00	126.00	95.00	1
SA 56	83681008	Grey	60.00	66.00	85.00	50.00	6.50	94.00	86.00	60.00	1
SA 70	83681010	Grey	60.00	80.00	94.00	52.00	7.50	106.00	96.00	70.00	1
SA 95	83681012	Grey	74.00	108.00	126.00	52.00	7.50	132.00	126.00	95.00	1

Type KFW-Jumbo (90° flange connection)



PRODUCT INFORMATION

Die KFW-Jumbo flange connections are made of specially modified polyamide. The material is halogen, phosphor and cadmium-free.

The KFW-Jumbo flange connections feature the following advantages:

- Split ring makes assembly easy
- Tightness of IP 52 without DS seal
- Tightness of IP 65 with DS seal (DS seal must be ordered separately if required)

- Dimensionally stable connection ring ensures high tear-out strength
- Safety clips ensure protection against connection ring opening by itself
- O-ring for fastening flange included in delivery

SPECIFICATIONS

- 40 – 110 °C short term 140 °C
- UL listed material
Mod. polyamide PA 6
- Acc. to UL94 V0 self-extinguishing
- IP 52
IP 65 with sealing ring DS

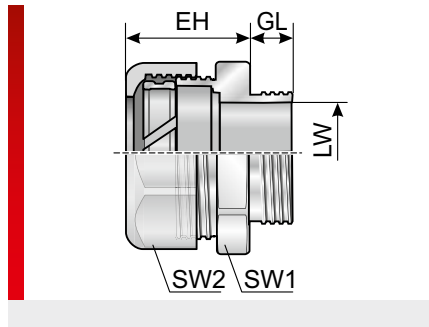


Type	Order No.	Colour	A mm	B mm	C mm	D mm	E mm	F mm	G mm	Ø mm	Pack qty.
KFW-56	83681220	Black	60.00	66.00	85.00	119.00	6.50	99.00	95.00	60.00	1
KFW-70	83681213	Black	60.00	80.00	96.00	110.00	7.00	137.00	94.00	77.00	1
KFW-95	83681214	Black	74.00	108.00	127.00	144.00	7.00	167.00	128.00	111.00	1
KFW 56	83681208	Grey	60.00	66.00	85.00	119.00	6.50	99.00	95.00	60.00	1
KFW-70	83681210	Grey	60.00	80.00	96.00	110.00	7.00	137.00	94.00	77.00	1
KFW-95	83681212	Grey	74.00	108.00	127.00	144.00	7.00	167.00	128.00	111.00	1



Special fitting / connection





EH-EMV



PRODUCT INFORMATION

The EH-EMV metal fitting can be used together with the EMC cable protection conduit EW-PAP. The EH-EMV fitting is used to discharge sheath currents on the cable protection conduit safely and reliably.

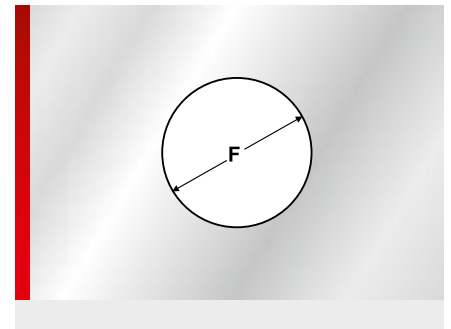
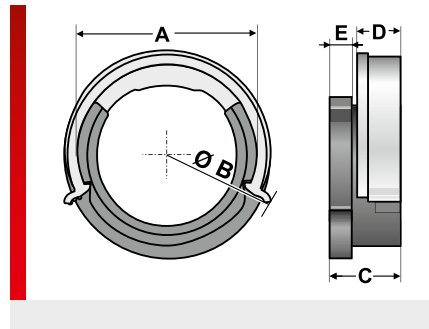
SPECIFICATIONS

-  -40 – 140 °C short term 160 °C
-  Nickel-plated brass
-  IP 40
-  RoHS

Type	Order No.	Colour	Connecting thread	Suitable for Murrflex EW	LW mm	EH mm	GL mm	SW 1 / 2 mm	Pack qty.
Metric metal thread / EMC version									
EH-EMV M12x1.5	83521050	Silver	M12x1.5	M12/P09	7.90	17.00	5.50	22.0	10
EH-EMV M16x1.5	83521052	Silver	M16x1,5	M16/P11	10.30	17.50	5.80	27.0	10
EH-EMV M20x1.5	83521054	Silver	M20x1.5	M20/P16	14.40	19.00	7.00	31.0	10
EH-EMV M25x1.5	83521056	Silver	M25x1.5	M25/P21	18.50	22.00	7.00	40.0	10
EH-EMV M32x1.5	83521058	Silver	M32x1.5	M32/P29	25.80	24.00	7.00	48.0	10
EH-EMV M40x1.5	83521060	Silver	M40x1.5	M40/P36	32.90	27.00	11.00	60.0	2
EH-EMV M50x1.5 ¹⁾	83521062	Silver	M50x1.5	M50/P48	41.00	31.00	11.50	78.0	2
Pg metric metal thread / EMC version									
EH-EMV Pg 09	83521010	Silver	Pg 09	M12/P09	12.00	17.00	6.00	22.0	10
EH-EMV Pg 11	83521012	Silver	Pg 11	M16/P11	15.50	18.00	6.00	27.0	10
EH-EMV Pg 16	83521014	Silver	Pg 16	M20/P16	18.50	20.00	7.00	31.0	10
EH-EMV Pg 21	83521016	Silver	Pg 21	M25/P21	24.00	23.00	7.00	40.0	10
EH-EMV Pg 29	83521018	Silver	Pg 29	M32/P29	33.00	26.00	7.00	48.0	10
EH-EMV Pg 36	83521020	Silver	Pg 36	M40/P36	43.00	30.00	7.50	57.0	2
EH-EMV Pg 48	83521022	Silver	Pg 48	M50/P48	54.00	32.00	11.00	78.0	2

¹⁾Min. order quantity 100 pcs

Type AT



PRODUCT INFORMATION

The AT connector is a holder for split and closed conduits in the EW and EWT series. It is made of specially modified polyamide 6. The material is self-extinguishing, and halogen, phosphor and cadmium-free.

The AT connectors feature the following advantages:

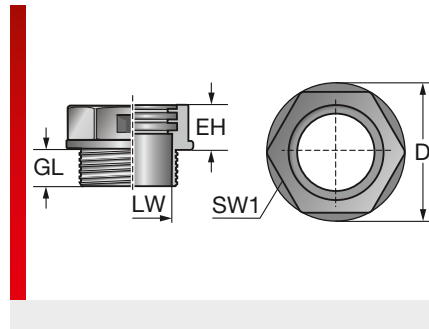
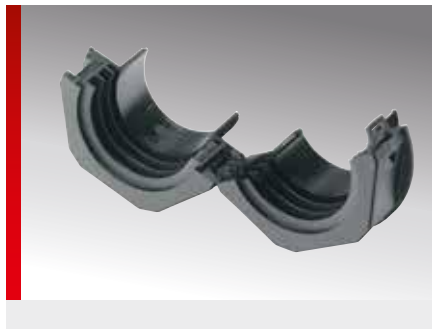
- Click system for quick, easy and tool-free assembly and disassembly
- Compact design
- Conduits can still be rotated
- Suitable for split and closed conduits

SPECIFICATIONS

- 40 – 110 °C short term 140 °C
- UL listed material
Mod. polyamide PA 6
- Acc. to UL94 V0 self-extinguishing
- IP 42

Type	Order No.	Colour	Suitable for Murrflex	A mm	B mm	C mm	D mm	E mm	F mm	Pack qty.
AT M20/P09	83651050	Black	M12/P09	20.20	35.00	16.00	9.50	5.00	20.50	50
AT M25/P11	83651052	Black	M16/P11	25.20	40.50	16.00	9.50	5.00	25.50	50
AT M32/P16	83651054	Black	M20/P16	32.20	48.00	17.20	10.30	5.40	32.50	50
AT M40/P21	83651056	Black	M25/P21	40.20	58.00	17.90	10.00	6.40	40.50	50
AT M50/P29	83651058	Black	M32/P29	50.20	68.00	17.90	10.00	6.40	50.50	25
AT M50/P36	83651060	Black	M40/P36	50.20	68.00	21.50	12.00	8.00	50.50	10
AT M63/P48	83651062	Black	M50/P48	63.20	82.00	24.80	15.30	8.00	63.50	10
AT M20/P09	83651010	Grey	M12/P09	20.20	35.00	16.00	9.50	5.00	20.50	50
AT M25/P11	83651012	Grey	M16/P11	25.20	40.50	16.00	9.50	5.00	25.50	50
AT M32/P16	83651014	Grey	M20/P16	32.20	48.00	17.20	10.30	5.40	32.50	50
AT M40/P21	83651016	Grey	M25/P21	40.20	58.00	17.90	10.00	6.40	40.50	50
AT M50/P29	83651018	Grey	M32/P29	50.20	68.00	17.90	10.00	6.40	50.50	25
AT M50/P36	83651020	Grey	M40/P36	50.20	68.00	21.50	12.00	8.00	50.50	10
AT M63/P48	83651022	Grey	M50/P48	63.20	82.00	24.80	15.30	8.00	63.50	10

Type SVT



PRODUCT INFORMATION

The split conduit fitting is made of specially modified polyamide 6. The material is self-extinguishing, and halogen, phosphor and cadmium-free. The fittings are used when cable protection conduits fitted with pre-assembled cables need to be fixed or cable protection conduits need to be retrofitted. The SVT is ideal for connecting to our split EWT cable protection conduits and all other Murrflex cable protection conduits with standard corrugation.

- Particular benefits of the SVT conduit fitting include:
- Subsequent installation or repairs
 - Perfect for use with the GMT split lock nut
 - Very good system tear-out strength
 - Compact design
 - Easy assembly and disassembly

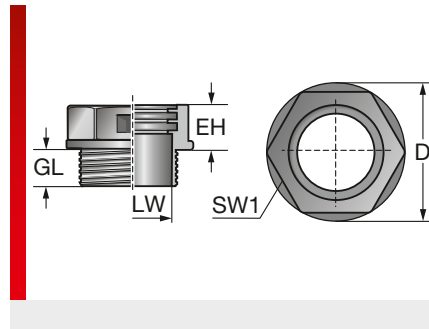
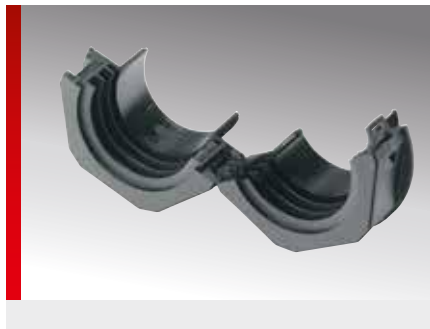
Specification:
 • EN 45545-2 3x HL3

SPECIFICATIONS

- 40 – 110 °C short term 140 °C
- UL listed material
Mod. polyamide PA 6
- Acc. to UL94 V0 self-extinguishing
- IP 50

Type	Order No.	Colour	Connecting thread	Suitable for Murrflex EW	LW mm	EH mm	GL mm	SW 1 / 2 mm	Pack qty.
Splittable conduit fitting									
SVT M16x1,5/11	83651258	Black	M16x1,5	M16/P11	11.00	15.00	15.00	26.0	50
SVT M20x1,5/11	83651260	Black	M20x1.5	M16/P11	15.00	15.00	15.00	26.0	50
SVT M20x1,5/16	83651262	Black	M20x1.5	M20/P16	15.00	15.00	15.00	28.0	50
SVT M25x1,5/16	83651264	Black	M25x1.5	M20/P16	21.00	15.00	15.00	28.0	50
SVT M25x1,5/21	83651266	Black	M25x1.5	M25/P21	21.00	20.00	15.00	28.0	50
SVT M32x1,5/21	83651268	Black	M32x1.5	M25/P21	27.00	20.00	15.00	36.0	50
SVT M32x1,5/29	83651270	Black	M32x1.5	M32/P29	27.00	20.00	15.00	46.0	25
SVT M32x1,5/36	83651272	Black	M32x1.5	M40/P36	27.00	20.00	15.00	55.0	25
SVT M40x1,5/29	83651274	Black	M40x1.5	M32/P29	35.00	20.00	15.00	46.0	25
SVT M40x1,5/36	83651276	Black	M40x1.5	M40/P36	35.00	20.00	15.00	55.0	25
SVT M50x1,5/36	83651278	Black	M50x1.5	M40/P36	44.00	20.00	20.00	55.0	25
SVT M50x1,5/48	83651280	Black	M50x1.5	M50/P48	44.00	25.00	20.00	65.0	10
SVT M63x1,5/48	83651282	Black	M63x1.5	M50/P48	57.00	25.00	20.00	65.0	10

Type SVT-X



PRODUCT INFORMATION

The SVT-X split conduit fitting is made of specially modified polyamide 6. The material is self-extinguishing, and halogen, phosphor and cadmium-free. The fittings are used when cable protection conduits fitted with pre-assembled cables need to be fixed or cable protection conduits need to be retrofitted. The SVT-X is ideal for connecting to our Murrflex cable protection conduits with high corrugation.

Particular benefits of the SVT-X conduit fitting include:

- Subsequent installation or repairs
- Perfect for use with the GMT split lock nut
- Very good system tear-out strength
- Compact design
- Easy assembly and disassembly

Specification:

- EN 45545-2 3x HL3

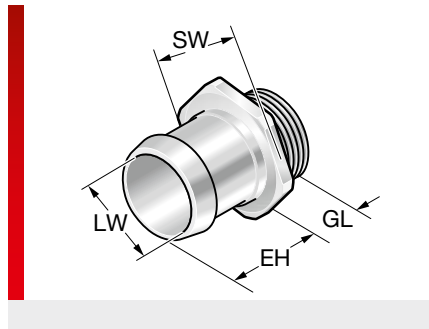
SPECIFICATIONS

- 40 – 110 °C short term 140 °C
- UL listed material
Mod. polyamide PA 6
- Acc. to UL94 V0 self-extinguishing
- IP 50



Type	Order No.	Colour	Connecting thread	Suitable for Murrflex EW	LW mm	EH mm	GL mm	SW 1 / 2 mm	Pack qty.
Splittable conduit fitting									
SVT-X M25x1.5/21	83651284	Black	M25x1.5	M25/P21	21.00	20.00	15.00	36.0	50
SVT-X M32x1.5/21	83651286	Black	M32x1.5	M25/P21	27.00	20.00	15.00	36.0	50
SVT-X M32x1.5/29	83651288	Black	M32x1.5	M32/P29	27.00	20.00	15.00	46.0	25
SVT-X M32x1.5/36	83651290	Black	M32x1.5	M40/P36	27.00	20.00	15.00	55.0	25
SVT-X M40x1.5/29	83651292	Black	M40x1.5	M32/P29	35.00	20.00	15.00	46.0	25
SVT-X M40x1.5/36	83651294	Black	M40x1.5	M40/P36	35.00	20.00	15.00	55.0	25
SVT-X M50x1.5/36	83651296	Black	M50x1.5	M40/P36	44.00	20.00	20.00	55.0	25
SVT-X M50x1.5/48	83651298	Black	M50x1.5	M50/P48	44.00	25.00	20.00	65.0	10

Type EVK-PG



PRODUCT INFORMATION

The EVK-PG is a metal connecting piece with which the EVK conduit is fitted on and fixed using an SS or SSG conduit clamp. The connecting pieces have a Pg thread.

The right connection for Murrplastik EVK cable protection conduit.

SPECIFICATIONS

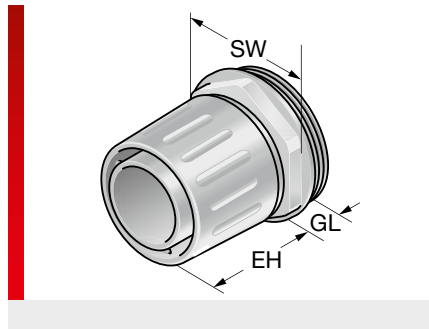


Nickel-plated brass

Type	Order No.	Connecting thread	LW mm	EH mm	GL mm	SW 1 / 2 mm	Pack qty.
EVK PG 07/E	83723014	Pg 07	8.50	20.70	7.00	15.0	50
EVK PG 07	83723010	Pg 07	7.00	18.00	7.00	17.0	50
EVK PG 09/07	83723012	Pg 09	7.00	18.00	7.00	19.0	50
EVK PG 09/E	83723016	Pg 09	11.00	21.00	7.00	19.0	50
EVK PG 09	83723018	Pg 09	11.00	21.00	7.00	19.0	50
EVK PG 11/E	83723022	Pg 11	14.00	22.00	7.00	22.0	50
EVK PG 11	83723024	Pg 11	14.00	22.00	7.00	22.0	50
EVK PG 13.5 ¹⁾	83723028	Pg 13.5	16.00	26.00	8.00	24.0	100
EVK PG 13/E	83723026	Pg 13.5	16.00	26.00	8.00	24.0	50
EVK PG 16	83723030	Pg 16	17.00	28.00	8.00	27.0	50
EVK PG 21/E	83723032	Pg 21	20.00	27.50	9.00	30.0	50
EVK PG 21	83723034	Pg 21	23.00	33.00	8.00	32.0	50
EVK PG 29/E	83723038	Pg 29	27.00	32.20	9.50	40.0	50
EVK PG 29	83723040	Pg 29	31.00	33.20	8.00	41.0	50
EVK PG 36	83723046	Pg 36	39.00	50.20	10.00	55.0	25
EVK PG 42/36	83723048	Pg 42	46.00	48.50	12.00	64.0	25
EVK PG 42	83723050	Pg 42	44.00	53.00	12.00	60.0	25
EVK PG 48	83723054	Pg 48	51.00	56.00	12.00	65.0	25

¹⁾No stock goods, delivery time and minimum order quantities upon request

Type ELD/K



PRODUCT INFORMATION

The ELD/K conduit fitting is made of specially modified polypropylene. The fitting is equipped with a rotatable connection thread into which the conduit is screwed. The upper part of the fitting is also rotatable.

The ELD/K fitting is characterised by its quick and easy assembly without the use of any special tools and can be used for EL, ELS and EVK cable protection conduits.

SPECIFICATIONS

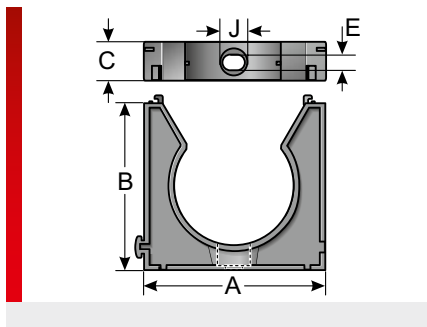
- 10 – 110 °C
- Polypropylene (PP)
- IP 54

Type	Order No.	Colour	Connecting thread	EH mm	GL mm	SW 1 / 2 mm	Pack qty.
Metric plastic thread							
ELD/K M20x1.5	83741416	Grey	M20x1.5	30.00	10.00	22.0	50
ELD/K M25x1.5	83741418	Grey	M25x1.5	34.00	11.00	27.0	50
ELD/K M32x1.5	83741420	Grey	M32x1.5	42.70	12.00	35.0	25
ELD/K M40x1.5	83741422	Grey	M40x1.5	44.00	12.00	45.0	25
ELD/K M50x1.5	83741424	Grey	M50x1.5	47.50	12.00	54.0	25
ELD/K M63X1.5	83741426	Grey	M63x1.5	50.00	15.00	65.0	10
Pg plastic threading							
ELD/K PG 07	83741210	Grey	Pg 07	23.00	10.00	16.0	50
ELD/K PG 09	83741212	Grey	Pg 09	27.50	10.00	19.0	50
ELD/K PG 11	83741214	Grey	Pg 11	30.00	10.00	22.0	50
ELD/K PG 13	83741215	Grey	Pg 13	30.00	10.00	24.0	50
ELD/K PG 16	83741216	Grey	Pg 16	34.00	11.00	27.0	50
ELD/K PG 21	83741220	Grey	Pg 21	44.00	11.00	35.0	25
ELD/K PG 29	83741224	Grey	Pg 29	44.00	12.00	45.0	25
ELD/K PG 36	83741226	Grey	Pg 36	47.50	12.00	54.0	25
ELD/K PG 42	83741227	Grey	Pg 42	49.50	12.00	61.0	10
ELD/K PG 48	83741228	Grey	Pg 48	50.00	15.00	65.0	10



Cable protection conduit holder

Type HS (conduit holder)



PRODUCT INFORMATION

The HS conduit holder is made of specially modified polyamide. The material is halogen, phosphor and cadmium-free. The HS holders are used as a conduit holder system that can be arranged in rows and stacks and can be adapted to different installation situations with optional accessories.

The holder features the following advantages:

- Flexible system
- Stackable
- Arrangeable in rows

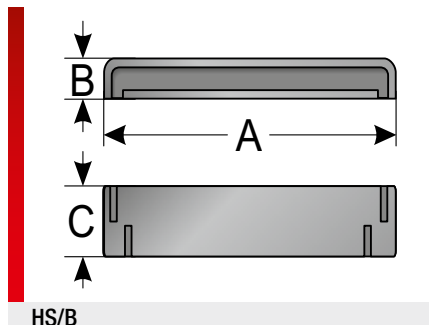
SPECIFICATIONS

- 40 – 110 °C short term 140 °C
- Mod. polyamide PA 6
UL listed material
- Acc. to UL94 V0 self-extinguishing



Type	Order No.	Colour	A mm	B mm	C mm	E mm	J mm	Pack qty.
Conduit holder suitable for Murrflex EW and EWX								
HS/U 07	83631052	Black	21.50	21.00	14.00	4.50	8.00	100
HS/U 09	83631054	Black	21.50	21.00	14.00	4.50	8.00	100
HS/U 11	83631056	Black	28.00	29.00	14.00	5.50	10.00	100
HS/U 16	83631060	Black	28.00	29.00	14.00	5.50	10.00	100
HS/U 21	83631062	Black	43.00	42.40	14.00	5.50	10.00	50
HS/U 29	83631064	Black	43.00	42.40	14.00	5.50	10.00	50
HS/U 36	83631066	Black	63.50	57.50	14.00	5.50	10.00	50
HS/U 48	83631068	Black	63.50	62.50	14.00	5.50	10.00	50
HS/U 07	83631012	Grey	21.50	21.00	14.00	4.50	8.00	100
HS/U 09	83631014	Grey	21.50	21.00	14.00	4.50	8.00	100
HS/U 11	83631016	Grey	28.00	29.00	14.00	5.50	10.00	100
HS/U 16	83631020	Grey	28.00	29.00	14.00	5.50	10.00	100
HS/U 21	83631022	Grey	43.00	42.40	14.00	5.50	10.00	50
HS/U 29	83631024	Grey	43.00	42.40	14.00	5.50	10.00	50
HS/U 36	83631026	Grey	63.50	57.50	14.00	5.50	10.00	50
HS/U 48	83631028	Grey	63.50	62.50	14.00	5.50	10.00	50

Accessories – Type HS/B bracket



PRODUCT INFORMATION

The accessories for the HS holder are made of specially modified polyamide. The material is halogen, phosphor and cadmium-free. The variant HS/B is the bracket used for the HS/U holder for higher tear-out forces.

The HS holder system features the following advantages:

- Flexible system
- Stackable
- Arrangeable in rows

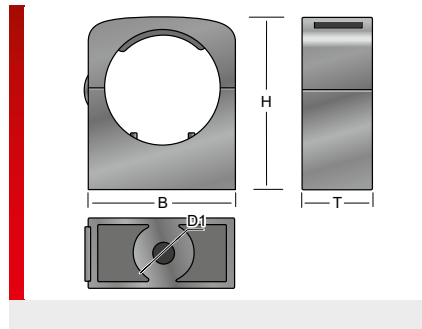
SPECIFICATIONS

- 40 – 110 °C short term 140 °C
- UL listed material
Mod. polyamide PA 6
- Acc. to UL94 V0 self-extinguishing



Type	Order No.	Colour	Suited for holder	A mm	B mm	C mm	Pack qty.
Clamping bracket							
HS/B 07-09	83631250	Black	HS/U 07-09	21.50	5.00	14.00	100
HS/B 11-16	83631252	Black	HS/U 11-16	28.00	5.00	14.00	100
HS/B 21-29	83631254	Black	HS/U 21-29	43.00	6.00	14.00	50
HS/B 36-48	83631256	Black	HS/U 36-48	63.50	7.00	14.00	50
HS/B 07-09	83631210	Grey	HS/U 07-09	21.50	5.00	14.00	100
HS/B 11-16	83631212	Grey	HS/U 11-16	28.00	5.00	14.00	100
HS/B 21-29	83631214	Grey	HS/U 21-29	43.00	6.00	14.00	50
HS/B 36-48	83631216	Grey	HS/U 36-48	63.50	7.00	14.00	50

Type UHE



PRODUCT INFORMATION

The UHE holder is a one-piece corrugated conduit holder, featuring a cover attached to the holder with an integral hinge. It is manufactured from a specially modified Polyamide. The material is halogen, phosphor and cadmium-free. The holder is used to fix cable protection conduits to equipment and machinery.

The UHE holder features the following advantages:

- Quick assembly thanks to single-hole fixing

- Protective conduits only need to be snapped on, which makes them excellent for overhead installations.
- Optimum connection of conduit to holder thanks to double webs of holder
- Optimized axial strain relief of the corrugated conduit achieved with integrated double webs
- Highest degree of retention power.
- Suitable for all Murrflex corrugated conduit profiles.

Specification:

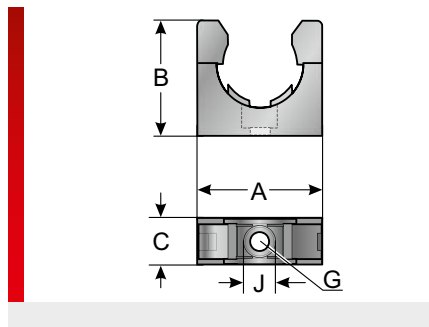
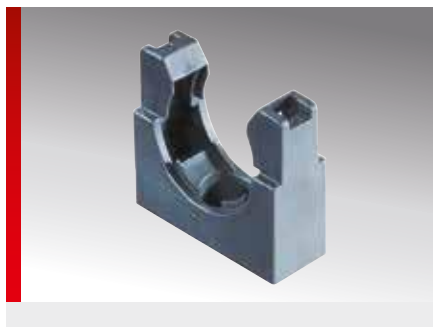
- EN 45545-2 3x HL3

SPECIFICATIONS

- UL listed material Mod. polyamide PA 6
- 40 – 110 °C transient / short term 140 °C
- Acc. to UL94 V0 self-extinguishing

Type	Order No.	Colour	A mm	B mm	C mm	J mm	Pack qty.
UHE P07	83621850	Black	17.00	21.50	15.00	7.50	100
UHE P09	83621852	Black	20.50	24.50	15.00	9.00	100
UHE P11	83621854	Black	24.00	27.00	15.00	9.00	100
UHE P16	83621856	Black	30.00	33.00	15.00	10.00	100
UHE P21	83621858	Black	38.50	42.00	15.00	10.00	100
UHE P29	83621860	Black	45.50	48.00	15.00	10.00	50
UHE P36	83621862	Black	55.50	56.00	15.00	10.00	50
UHE P48	83621864	Black	67.50	68.00	15.00	10.00	50
UHE P07	83621810	Grey	17.00	21.50	15.00	7.50	100
UHE P09	83621812	Grey	20.50	24.50	15.00	9.00	100
UHE P11	83621814	Grey	24.00	27.00	15.00	9.00	100
UHE P16	83621816	Grey	30.00	33.00	15.00	10.00	100
UHE P21	83621818	Grey	38.50	42.00	15.00	10.00	100
UHE P29	83621820	Grey	45.50	48.00	15.00	10.00	50
UHE P36	83621822	Grey	55.50	56.00	15.00	10.00	50
UHE P48	83621824	Grey	67.50	68.00	15.00	10.00	50

Type UH



PRODUCT INFORMATION

The UH holder is made of specially modified polyamide. The material is halogen, phosphor and cadmium-free. The holder is used to fix cable protection conduits to equipment and machinery.

The UH holder features the following advantages:

- Quick assembly thanks to single-hole fixing
- Protective conduit is simply snapped in
- Optimum connection of conduit to holder thanks to double webs of holder
- Optional BL bracket for applications with high stresses

Specification:

- EN 45545-2 3x HL3

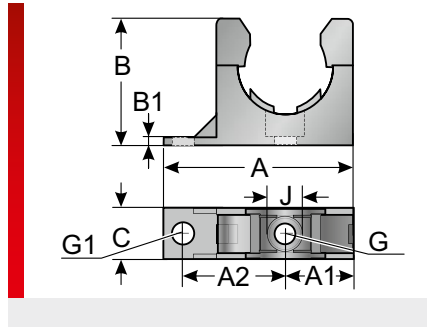
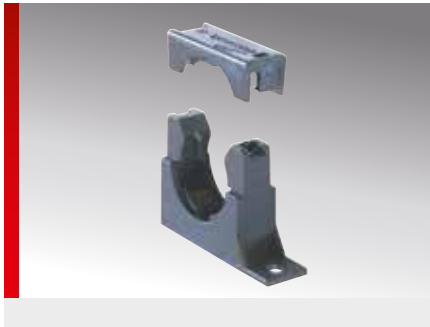
SPECIFICATIONS

- 40 – 110 °C short term 140 °C
- UL listed material
Mod. polyamide PA 6
- Acc. to UL94 V0 self-extinguishing



Type	Order No.	Colour	Suitable for Murrflex	A mm	B mm	C mm	G mm	J mm	Pack qty.
Suitable for Murrflex EW and EWX									
UH 07	83621210	Black	M10/P07	29.00	23.00	11.00	4.50	7.50	100
UH 09/M4	83621212	Black	M12/P09	30.00	23.00	12.50	4.50	8.50	100
UH 09/M5	83621213	Black	M12/P09	30.00	23.00	12.50	5.50	8.50	100
UH 11/M4	83621214	Black	M16/P11	30.00	23.00	12.50	4.50	8.50	100
UH 11/M5	83621215	Black	M16/P11	30.00	23.00	12.50	5.50	8.50	100
UH 16/M5	83621216	Black	M20/P16(S)	35.00	30.00	15.00	5.50	10.50	100
UH 16/M6	83621217	Black	M20/P16(S)	35.00	30.00	15.00	6.40	10.50	100
UH 21	83621218	Black	M25/P21(S)	42.00	38.00	16.00	6.50	11.00	100
UH 29	83621220	Black	M32/P29(S)	51.00	43.00	16.00	6.50	11.50	50
UH 36	83621222	Black	M40/P36(S)	61.00	51.00	18.00	6.50	13.50	50
UH 48	83621224	Black	M50/P48(S)	74.00	64.00	19.00	6.50	13.50	50
UH 07	83621110	Grey	M10/P07	29.00	23.00	11.00	4.50	7.50	100
UH 09/M4	83621112	Grey	M12/P09	30.00	23.00	12.50	4.50	8.50	100
UH 09/M5	83621113	Grey	M12/P09	30.00	23.00	12.50	5.50	8.50	100
UH 11/M4	83621114	Grey	M16/P11	30.00	23.00	12.50	4.50	8.50	100
UH 11/M5	83621115	Grey	M16/P11	30.00	23.00	12.50	5.50	8.50	100
UH 16/M5	83621116	Grey	M20/P16(S)	35.00	30.00	15.00	5.50	10.50	100
UH 16/M6	83621117	Grey	M20/P16(S)	35.00	30.00	15.00	6.40	10.50	100
UH 21	83621118	Grey	M25/P21(S)	42.00	38.00	16.00	6.50	11.00	100
UH 29	83621120	Grey	M32/P29(S)	51.00	43.00	16.00	6.50	11.50	50
UH 36	83621122	Grey	M40/P36(S)	61.00	51.00	18.00	6.50	13.50	50
UH 48	83621124	Grey	M50/P48(S)	74.00	64.00	19.00	6.50	13.50	50

Type UHG



PRODUCT INFORMATION

The UHG holder is made of specially modified polyamide. The material is halogen, phosphor and cadmium-free. The holder is used to fix cable protection conduits to equipment and machinery.

The UHG holder features the following advantages:

- The additional flap can be used to prevent rotation of the holder

- Protective conduit is simply snapped in
- Optimum connection of conduit to holder thanks to double webs of holder
- Optional BL bracket for applications with high stresses

Specification:

- EN 45545-2 3x HL3

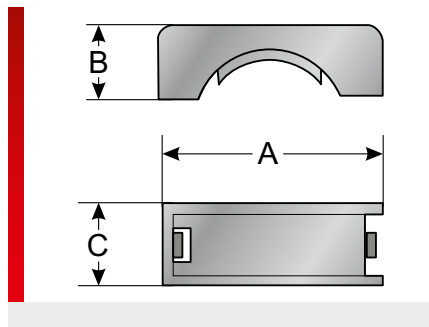
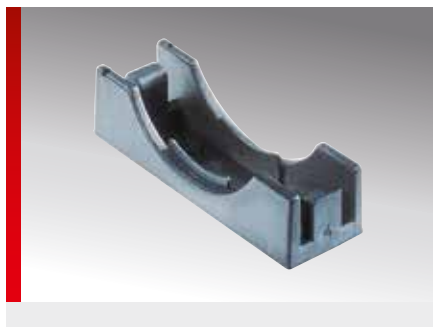
SPECIFICATIONS

- 40 – 110 °C short term 140 °C
- UL listed material
Mod. polyamide PA 6
- Acc. to UL94 V0 self-extinguishing



Type	Order No.	Colour	Suitable for Murrflex	A mm	B mm	C mm	G mm	J mm	A1 mm	A2 mm	B1 mm	G1 mm	Pack qty.
Suitable for Murrflex EW and EWX													
UHG 09	83621250	Black	M12/P09	46.00	23.00	12.50	4.50	7.50	15.00	24.50	2.00	6.20	100
UHG 11	83621252	Black	M16/P11	46.00	23.00	12.50	4.50	7.50	15.00	24.50	2.00	6.20	100
UHG 16	83621254	Black	M20/P16(S)	50.00	30.00	15.00	5.50	9.50	17.50	27.00	2.50	6.20	100
UHG 21	83621256	Black	M25/P21(S)	57.00	38.00	16.00	6.50	11.50	21.00	30.70	2.50	6.20	100
UHG 29	83621258	Black	M32/P29(S)	67.00	43.50	16.00	6.50	11.50	25.50	35.30	3.00	6.20	50
UHG 36	83621260	Black	M40/P36(S)	77.00	51.00	18.50	6.50	11.50	30.50	40.00	3.50	6.20	50
UHG 48	83621262	Black	M50/P48(S)	89.00	64.00	19.00	6.50	11.50	37.00	46.50	3.50	6.20	50

Type BL (clamping bracket for types UH and UHG)



PRODUCT INFORMATION

The BL clamping bracket can be used for types UH and UHG and is made from specially modified polyamide. The material is halogen, phosphor and cadmium-free. The bracket can be used to achieve additional support of the conduit clamp for high loads.

Specification:
 • EN 45545-2 3x HL3

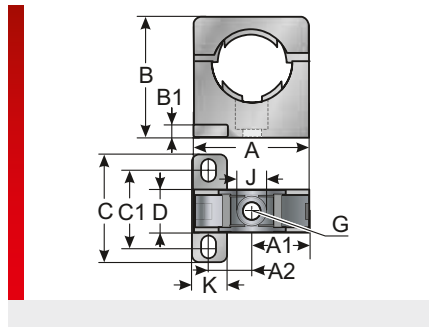
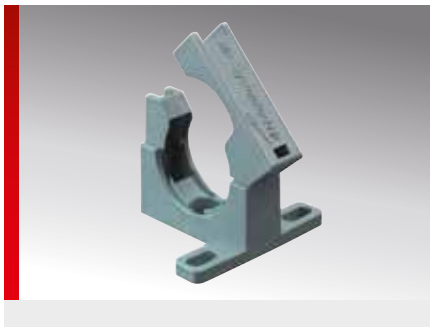
SPECIFICATIONS

- 40 – 110 °C short term 140 °C
- UL listed material
Mod. polyamide PA 6
- Acc. to UL94 V0 self-extinguishing



Type	Order No.	Colour	Suited for holder	A mm	B mm	C mm	Pack qty.
BL 09	83621406	Black	UH 09 / UHG 09	29.00	10.00	12.50	100
BL 11	83621408	Black	UH 11 / UHG 11	29.00	11.00	12.50	100
BL 16	83621410	Black	UH 16 / UHG 16	34.00	12.00	15.00	100
BL 21	83621412	Black	UH 21 / UHG 21	41.00	13.00	15.50	100
BL 29	83621414	Black	UH 29 / UHG 26	50.00	14.00	16.00	50
BL 36	83621416	Black	UH 36 / UHG 36	60.00	17.00	18.00	50
BL 48	83621418	Black	UH 48 / UHG 48	72.00	19.00	18.50	50
BL 09	83621146	Grey	UH 09 / UHG 09	29.00	10.00	12.50	100
BL 11	83621148	Grey	UH 11 / UHG 11	29.00	11.00	12.50	100
BL 16	83621150	Grey	UH 16 / UHG 16	34.00	12.00	15.00	100
BL 21	83621152	Grey	UH 21 / UHG 21	41.00	13.00	15.50	100
BL 29	83621154	Grey	UH 29 / UHG 26	50.00	14.00	16.00	50
BL 36	83621156	Grey	UH 36 / UHG 36	60.00	17.00	18.00	50
BL 48	83621158	Grey	UH 48 / UHG 48	72.00	19.00	18.50	50

Typ UHF



PRODUCT INFORMATION

The UHF holder is made of specially modified polyamide. The material is halogen, phosphor and cadmium-free. The holder is used as a quick and easy connection between control cabinet and door.

The UHF holder features the following advantages:

- Various fastening possibilities

- Protective conduits can still be rotated in the holder
- Pre-assembly of lower part possible
- High tensile strength thanks to double webs
- Bracket is included in delivery

Specification:

- EN 45545-2:2016 3x HL

SPECIFICATIONS

- 40 – 110 °C short term 140 °C
- UL listed material
Mod. polyamide PA 6
- Acc. to UL94 V0 self-extinguishing

RoHS

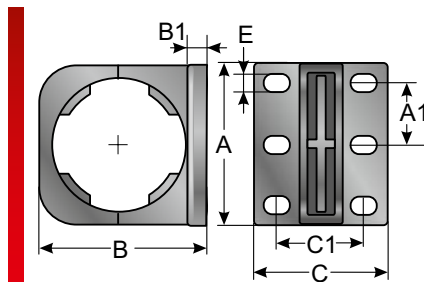
HF

EU

Made in Germany

Type	Order No.	Colour	Suitable for Murrflex	A mm	B mm	C mm	D mm	G mm	J mm	K mm	B1 mm	A1 mm	A2 mm	C1 mm	Pack qty.
Suitable for Murrflex EW and EWX															
UHF 16	83621610	Grey	M20/P16(S)	35.00	35.00	38.00	15.00	5.50	9.50	12.00	5.00	17.50	11.30	27.00	100
UHF 21	83621612	Grey	M25/P21(S)	42.00	42.00	38.00	16.00	6.50	11.50	12.00	5.00	21.00	14.70	27.00	100
UHF 29	83621614	Grey	M32/P29(S)	51.00	48.00	60.00	16.00	6.50	11.50	12.00	5.00	25.50	19.30	44.00	50
UHF 36	83621616	Grey	M40/P36(S)	61.00	55.00	60.00	19.00	6.50	11.50	13.00	6.00	30.50	24.50	47.50	50
UHF 48	83621618	Grey	M50/P48(S)	74.00	68.00	60.00	19.00	6.50	11.50	13.00	8.00	37.00	30.00	47.50	50
Suitable for Murrflex EWS/F RAL 7035															
UHF 16	83621611	RAL 7035	M20/P16(S)	35.00	35.00	38.00	15.00	5.50	9.50	12.00	5.00	17.50	11.30	27.00	10
UHF 21	83621613	RAL 7035	M25/P21(S)	42.00	42.00	38.00	16.00	6.50	11.50	12.00	5.00	21.00	14.70	27.00	10
UHF 29	83621615	RAL 7035	M32/P29(S)	51.00	48.00	60.00	16.00	6.50	11.50	12.00	5.00	25.50	19.30	44.00	10
UHF 36	83621617	RAL 7035	M40/P36(S)	61.00	55.00	60.00	19.00	6.50	11.50	13.00	6.00	30.50	24.50	47.50	10
UHF 48	83621619	RAL 7035	M50/P48(S)	74.00	68.00	60.00	19.00	6.50	11.50	13.00	8.00	37.00	30.00	47.50	10

Type USH



USH 11 / USH 16 / USH 21

PRODUCT INFORMATION

The USH holder consists of an upper and a lower part made of specially modified polycarbonate. The material is halogen, phosphor and cadmium-free. The holder is used as a quick and easy connection between control cabinet and door.

The USH holder features the following advantages:

- Various fastening possibilities
- Protective conduits can still be rotated in the holder
- Pre-assembly of lower part possible

SPECIFICATIONS

- 30 – 100 °C
- Polycarbonate
- Acc. to UL94 V2 self-extinguishing

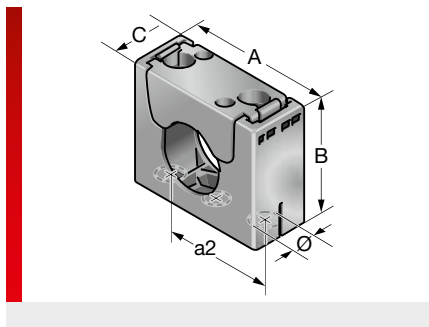
- RoHS
- HF
- Made in Germany

Type	Order No.	Colour	Suitable for Murrflex	A mm	B mm	C mm	E mm	A1 mm	B1 mm	C1 mm	Pack qty.
Suitable for Murrflex EW and EWX											
USH 11	83641019	Black	M16/P11	38.00	39.50	38.00	5.60	12.90	5.00	22.80	50
USH 16	83641020	Black	M20/P16(S)	38.00	39.40	38.00	5.70	12.90	5.00	22.80	50
USH 21	83641022	Black	M25/P21(S)	38.00	39.25	38.00	5.60	12.90	5.00	22.80	50
USH 29	83641024	Black	M32/P29(S)	46.35	47.65	38.20	5.30	17.60	4.90	25.75	50
USH 36	83641026	Black	M40/P36(S)	52.45	59.10	60.40	5.60	20.00	6.00	48.00	50
USH 48	83641028	Black	M50/P48(S)	76.20	77.20	59.70	5.60	27.70	8.10	47.10	50
USH 11	83641009	Grey	M16/P11	38.00	39.50	38.00	5.60	12.90	5.00	22.80	50
USH 16	83641010	Grey	M20/P16(S)	38.00	39.40	38.00	5.70	12.90	5.00	22.80	50
USH 21	83641012	Grey	M25/P21(S)	38.00	39.25	38.00	5.60	12.90	5.00	22.80	50
USH 29	83641014	Grey	M32/P29(S)	46.35	47.65	38.20	5.30	17.60	4.90	25.75	50
USH 36	83641016	Grey	M40/P36(S)	52.45	59.10	60.40	5.60	20.00	6.00	48.00	50
USH 48	83641018	Grey	M50/P48(S)	76.20	77.20	59.70	5.60	27.70	8.10	47.10	50

Type UH-S



UH-S M20/P16 – UH-S M63/P56



UH-S M10/P07 – UH-S M16/P11

PRODUCT INFORMATION

The stable UH-S holder is made of specially modified polyamide 6. The material is halogen, phosphor and cadmium-free. The UH-S holders, which can be strung together and stacked, are ideally suited to applications with special requirements in terms of stability. Equipped with the appropriate cable protection conduits, the UH-S holders offer excellent performance in terms of stability, flexibility of use and durability – even under high dynamic loads. The UH-S holders M20/P16 to M63/P56 feature the following advantages:

- Safe closing of the holder with no tools required
- Machine safe, can only be opened with a tool
- The upper part can also be secured with screws if necessary
- Lower part can be pre-assembled

The UH-S holders in the sizes M10/P07 to M16/P11 are to be fixed with two screws.

Specification:

- EN 45545-2 3x HL3

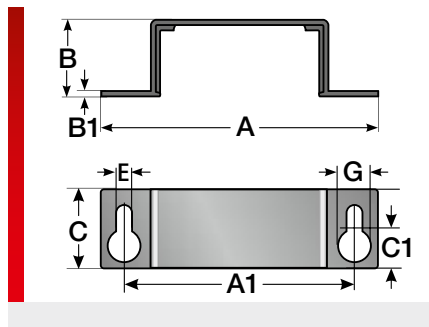
SPECIFICATIONS

- 40 – 110 °C short term 140 °C
- UL listed material
Mod. polyamide PA 6
- Acc. to UL94 V0 self-extinguishing



Type	Order No.	Colour	Suitable for Murrflex	A mm	B mm	C mm	a2 mm	Ø mm	Pack qty.
UH-S M10/P07	83641444	Black	M10/P07	35.00	26.00	14.60	20.00	5.60	15
UH-S M12/P09	83641446	Black	M12/P09	35.00	26.00	15.00	20.00	5.60	15
UH-S M16/P11	83641448	Black	M16/P11(S)	43.00	26.00	16.60	26.00	6.90	15
UH-S M20/P16	83641450	Black	M20/P16(S)	70.00	52.00	30.00	45.00	8.50	15
UH-S M25/P21	83641452	Black	M25/P21(S)	70.00	52.00	30.00	45.00	8.50	15
UH-S M32/P29	83641454	Black	M32/P29(S)	85.00	66.00	30.00	60.00	8.50	10
UH-S M40/P36	83641456	Black	M40/P36	85.00	66.00	30.00	60.00	8.50	10
UH-S M50/P48	83641458	Black	M50/P48	115.00	86.00	30.00	90.00	8.50	5
UH-S M63/P56	83641460	Black	NW56	115.00	86.00	30.00	90.00	8.50	5

Type EF/B



PRODUCT INFORMATION

The holder for the EF rectangular conduit is made of specially modified polyamide. The material is halogen, phosphor and cadmium-free.

The holder features the following advantages:

- Easy assembly
- High tear-out strength

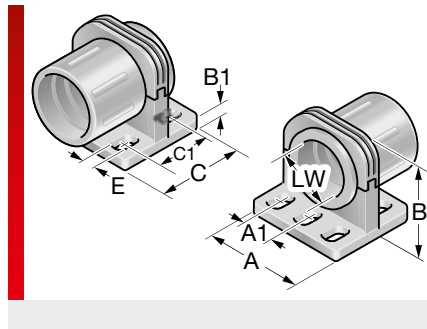
SPECIFICATIONS

- 40 – 110 °C short term 140 °C
- Mod. polyamide PA 6
- Acc. to UL94 V0 self-extinguishing



Type	Order No.	Colour	A mm	B mm	C mm	E mm	G mm	A1 mm	B1 mm	C1 mm	Pack qty.
EF/B 26042	83361022	Black	92.00	36.00	32.00	6.20	10.00	76.00	3.50	16.00	1

Type USH/D



PRODUCT INFORMATION

The USH/D holder with rotating part is made of specially modified polycarbonate. The material is halogen, phosphor and cadmium-free. The holder with rotating part is used for quick and easy holding of Murrplastik EL and ELS cable protection conduits and features the following advantages:

- Various fastening possibilities
- Conduits can still be rotated
- Pre-assembly of lower part possible

SPECIFICATIONS

- 40 – 110 °C short term 140 °C
- Polycarbonate
- Acc. to UL94 V2 self-extinguishing

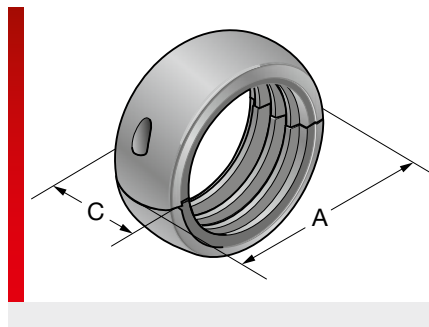
RoHS
 HF

Type	Order No.	Colour	A mm	B mm	C mm	E mm	A1 mm	B1 mm	C1 mm	LW mm	Pack qty.
USH/D P16	83641210	Grey	38.00	40.00	38.00	5.50	13.00	5.00	23.00	14.70	50
USH/D P21	83641212	Grey	38.00	40.00	38.00	5.50	13.00	5.00	23.00	19.60	50
USH/D P29	83641214	Grey	46.00	48.00	38.00	5.50	17.50	5.00	26.00	26.00	50
USH/D P29	83641250	Black	46.00	48.00	38.00	5.50	17.50	5.00	26.00	26.00	50
USH/D P36	83641216	Grey	52.00	59.00	60.00	5.50	20.00	6.00	48.00	35.10	10
USH/D P48	83641218	Grey	68.00	77.00	60.00	5.50	27.50	8.00	47.00	46.70	10



Protectors / conduit couplings / conduit distributors

Type PR/SV



PRODUCT INFORMATION

The PR/SV protectors are made of specially modified polyamide 6. The material is halogen, phosphor and cadmium-free. The protectors are used for impact protection and connecting cable protection conduits and also protect against wear.

The PR/SV protectors feature the following advantages:

- Flat construction
- Simple assembly with a sliding lock and optional lock screw assembly
- High tear-out strength

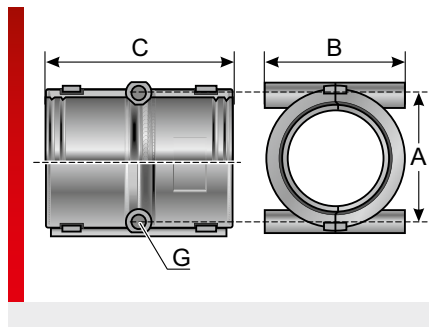
SPECIFICATIONS

- 40 – 110 °C short term 140 °C
- UL listed material
Mod. polyamide PA 6
- Acc. to UL94 V0 self-extinguishing



Type	Order No.	Colour	Suitable for Murrflex	Suitable for Murrflex EWX	A mm	C mm	Pack qty.
Standard design for cable protection conduits with standard corrugation, type EW-xx / type EWT-xx							
PR/SV-EW 21	83691058	Black	M25/P21		51.60	51.20	10
PR/SV-EW 29	83691060	Black	M32/P29		57.90	51.00	10
PR/SV-EW 36	83691062	Black	M40/P36		66.00	51.50	10
PR/SV-EW 48	83691064	Black	M50/P48		78.00	49.50	10
PR/SV-EW 56	83691065	Black	NW56		90.80	51.00	5
Standard design for cable protection conduits with high corrugation, type EWX-xx							
PR/SV-EW 21	83691018	Grey	M25/P21		51.60	51.20	10
PR/SV-EW 29	83691020	Grey	M32/P29		57.90	51.00	10
PR/SV-EW 36	83691022	Grey	M40/P36		66.00	51.50	10
PR/SV-EW 48	83691024	Grey	M50/P48		78.00	49.50	10
PR/SV-EW 56	83691025	Grey	NW56		90.80	51.00	5
Standard design for cable protection conduits with high corrugation, type EWX-xx							
PR/SV-EWX 21	83691258	Black	M25/P21		51.60	51.90	10
PR/SV-EWX 29	83691260	Black	M32/P29		57.90	51.00	10
PR/SV-EWX 36	83691262	Black	M40/P36		66.00	51.50	10
PR/SV-EWX 48	83691264	Black	M50/P48		78.00	49.50	10
PR/SV-EWX 56	83691265	Black	NW56		90.80	51.00	5
PR/SV-EWX 21	83691218	Grey	M25/P21		51.60	51.90	10
PR/SV-EWX 29	83691220	Grey	M32/P29		57.90	51.00	10
PR/SV-EWX 36	83691222	Grey	M40/P36		66.00	51.50	10
PR/SV-EWX 48	83691224	Grey	M50/P48		78.00	49.50	10
PR/SV-EWX 56	83691225	Grey	NW56		90.80	51.00	5

Type SVG



PRODUCT INFORMATION

The SVG conduit couplings are made of specially modified polyamide 6. The material is halogen, phosphor and cadmium-free. The conduit couplings are used as an extension or for the repair of cable protection conduits and feature the following advantages:

- Easy assembly by latching
- Split version makes routing of cables easy
- Can also be screwed on

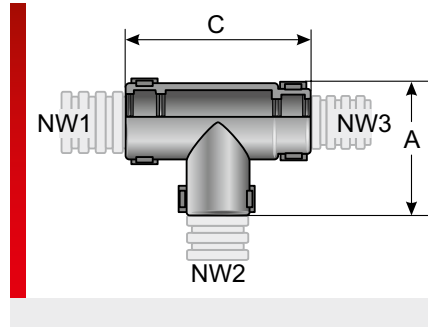
SPECIFICATIONS

- 40 – 110 °C short term 140 °C
- Mod. polyamide PA 6
- Acc. to UL94 V0 self-extinguishing
- IP 42
IP 54 bolted

RoHS **HF**

Type	Order No.	Colour	Suitable for Murrflex	A mm	B mm	C mm	G mm	Pack qty.
Conduit holder suitable for Murrflex EW and EWX								
SVG 21	83701630	Black	M25/P21(S)	31.00	36.00	50.00	5.50	25
SVG 29	83701632	Black	M32/P29(S)	36.80	44.00	54.00	5.50	25
SVG 36	83701634	Black	M40/P36(S)	44.80	50.00	66.00	5.50	10
SVG 48	83701636	Black	M50/P48(S)	56.80	64.00	66.00	5.50	10
SVG 21	83701610	Grey	M25/P21(S)	31.00	36.00	50.00	5.50	25
SVG 29	83701612	Grey	M32/P29(S)	36.80	44.00	54.00	5.50	25
SVG 36	83701614	Grey	M40/P36(S)	44.80	50.00	66.00	5.50	10
SVG 48	83701616	Grey	M50/P48(S)	56.80	64.00	66.00	5.50	10

Type VT



PRODUCT INFORMATION

The VT conduit distributors are made of specially modified polyamide 6. They are used for coupling Murrplastik cable protection conduits of the same and different diameters.

The distributors feature the following advantages:

- Easy assembly by latching
- Split version makes routing of cables easy
- Distributor envelops the conduit, which means that the entire inside diameter of the conduit is available

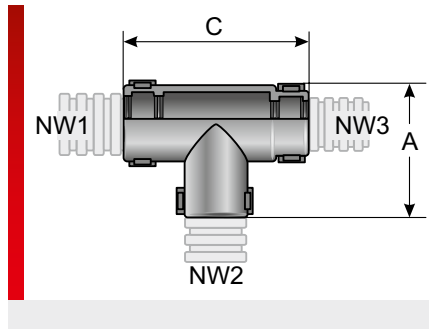
SPECIFICATIONS

- 40 – 110 °C short term 140 °C
- Mod. polyamide PA 6
- Acc. to UL94 V0 self-extinguishing
- IP 42

RoHS
 HF

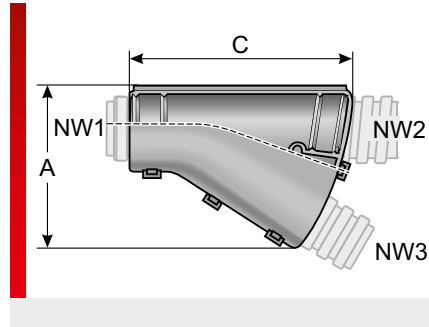
Type	Order No.	Colour	for Murrflex with NW1 / NW2 / NW3	A mm	C mm	Pack qty.
Hose distributor suitable for Murrflex EW and EWX						
VT 080808	83702410	Black	06 / 06 / 06	31.10	45.20	10
VT 120808	83702412	Black	09 / 06 / 06	31.10	45.20	10
VT 120812	83702414	Black	09 / 06 / 09	31.10	45.20	10
VT 121208	83702416	Black	09 / 09 / 06	31.10	45.20	10
VT 121212	83702418	Black	09 / 09 / 09	31.10	45.20	10
VT 160816	83702420	Black	11 / 06 / 11	34.80	49.10	10
VT 161212	83702422	Black	11 / 09 / 09	34.80	49.10	10
VT 161216	83702424	Black	11 / 09 / 11	34.80	49.10	10
VT 161612	83702426	Black	11 / 11 / 09	34.80	49.10	10
VT 161616	83702428	Black	11 / 11 / 11	34.80	49.10	10
VT 200820	83702430	Black	16 / 06 / 16	41.00	56.50	10
VT 201216	83702432	Black	16 / 09 / 11	41.00	56.50	10
VT 201220	83702434	Black	16 / 09 / 16	41.00	56.50	10
VT 201616	83702436	Black	16 / 11 / 11	41.00	56.50	10
VT 201620	83702438	Black	16 / 11 / 16	41.00	56.50	10
VT 202016	83702440	Black	16 / 16 / 11	41.00	56.50	10
VT 202020	83702441	Black	16 / 16 / 16	41.00	56.50	10
VT 281220	83702442	Black	21 / 09 / 16	48.60	64.50	10
VT 281620	83702444	Black	21 / 11 / 16	48.60	64.50	10
VT 282020	83702446	Black	21 / 16 / 16	48.60	64.50	10
VT 281228	83702448	Black	21 / 09 / 21	48.60	64.50	10
VT 281628	83702450	Black	21 / 11 / 21	48.60	64.50	10
VT 282028	83702452	Black	21 / 16 / 21	48.60	64.50	10
VT 282828	83702454	Black	21 / 21 / 21	48.60	64.50	10
VT 321632	83702456	Black	29 / 11 / 29	55.30	72.00	10

Type VT (Continued...)



Type	Order No.	Colour	for Murrflex with NW1 / NW2 / NW3	A mm	C mm	Pack qty.
VT 322032	83702458	Black	29 / 16 / 29	55.30	72.00	10
VT 323232	83702460	Black	29 / 29 / 29	72.00	55.30	10

Type SVY



PRODUCT INFORMATION

The SVY conduit distributors are made of specially modified polyamide 6. They are used for coupling Murrplastik cable protection conduits of the same and different diameters.

The distributors feature the following advantages:

- Easy assembly by latching
- Split version makes routing of cables easy
- Distributor envelops the conduit, which means that the entire inside diameter of the conduit is available

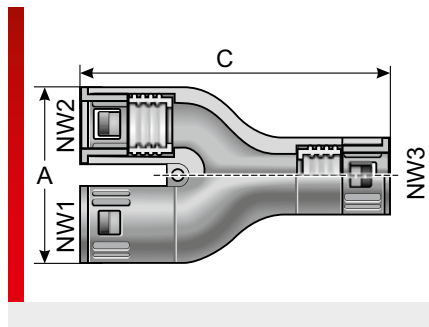
SPECIFICATIONS

- 40 – 110 °C short term 140 °C
- Mod. polyamide PA 6
- Acc. to UL94 V0 self-extinguishing
- IP 42

RoHS
 HF

Type	Order No.	Colour	for Murrflex with NW1 / NW2 / NW3	A mm	C mm	Pack qty.
SVY 080808	83701410	Black	06 / 06 / 06	37.10	54.60	10
SVY 120808	83701412	Black	09 / 06 / 06	37.10	54.60	10
SVY 121208	83701414	Black	09 / 09 / 06	37.10	54.60	10
SVY 121212	83701416	Black	09 / 09 / 09	37.10	54.60	10
SVY 161208	83701418	Black	11 / 09 / 06	39.80	54.60	10
SVY 161212	83701420	Black	11 / 09 / 09	39.80	54.60	10
SVY 161608	83701422	Black	11 / 11 / 06	39.80	54.90	10
SVY 161612	83701424	Black	11 / 11 / 09	39.80	54.90	10
SVY 200808	83701426	Black	16 / 06 / 06	39.80	42.80	10
SVY 201208	83701428	Black	16 / 09 / 06	41.00	42.80	10
SVY 201212	83701430	Black	16 / 09 / 09	41.00	42.80	10
SVY 201608	83701432	Black	16 / 11 / 06	39.60	48.20	10
SVY 201612	83701434	Black	16 / 11 / 09	39.60	48.20	10
SVY 201616	83701435	Black	16 / 11 / 11	48.20	39.60	10
SVY 202008	83701436	Black	16 / 16 / 06	44.90	57.90	10
SVY 202012	83701438	Black	16 / 16 / 09	44.90	57.90	10
SVY 202016	83701440	Black	16 / 16 / 11	47.50	63.50	10
SVY 282012	83701442	Black	21 / 16 / 09	49.00	53.50	10
SVY 282016	83701444	Black	21 / 16 / 11	49.00	53.50	10
SVY 282812	83701446	Black	21 / 21 / 09	56.50	67.00	10
SVY 282816	83701448	Black	21 / 21 / 11	56.50	67.00	10
SVY 282820	83701450	Black	21 / 21 / 16	50.00	76.50	10
SVY 282828	83701452	Black	21 / 21 / 21	66.80	92.10	10

Type YPA-F



PRODUCT INFORMATION

The YPA-F conduit distributors are made of specially modified polyamide. They are used for coupling Murrplastik cable protection conduits of the same and different diameters. The distributors feature the following advantages:

- Easy assembly - just insert the cable protection conduit
- High protection class
- Closed design

SPECIFICATIONS

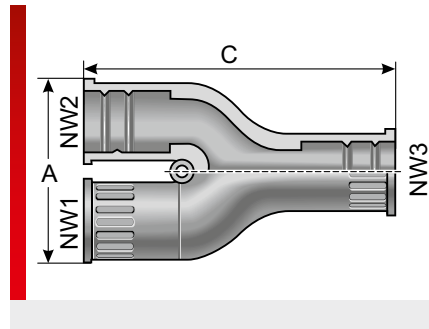
- 30 – 100 °C
- Mod. polyamide PA 6
- Acc. to UL94 V0 self-extinguishing
- IP 67

RoHS

HF

Type	Order No.	Colour	for Murrflex with NW1 / NW2 / NW3	A mm	C mm	Pack qty.
YPA-F-6/6/9	83701850	Black	06 / 06 / 09	36.00	68.00	10
YPA-F-9/9/9	83701854	Black	09 / 09 / 09	42.00	70.00	10
YPA-F-9/9/11	83701858	Black	09 / 09 / 11	42.00	71.00	10
YPA-F-11/11/11	83701862	Black	11 / 11 / 11	48.00	80.00	10
YPA-F-6/6/9	83701810	Grey	06 / 06 / 09	36.00	68.00	10
YPA-F-9/9/9	83701814	Grey	09 / 09 / 09	42.00	70.00	10
YPA-F-9/9/11	83701818	Grey	09 / 09 / 11	42.00	71.00	10
YPA-F-11/11/11	83701822	Grey	11 / 11 / 11	48.00	80.00	10

Type YTPE-F



PRODUCT INFORMATION

The YTPE-F conduit distributors are made of specially modified thermoplastic elastomer. They are used for coupling Murrplastik cable protection conduits of the same and different diameters.

The distributors feature the following advantages:

- Easy assembly - just insert the cable protection conduit
- High protection class
- Closed design

SPECIFICATIONS

- 30 – 100 °C
- Thermoplastic elastomer
- Acc. to UL94 HB
- IP 66

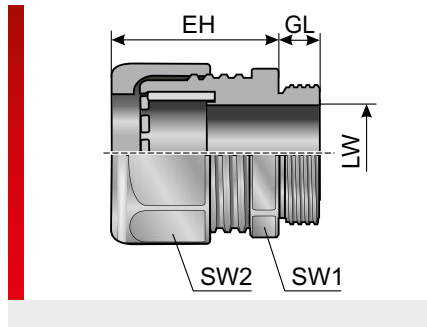
RoHS
 HF

Type	Order No.	Colour	for Murrflex with NW1 / NW2 / NW3	A mm	C mm	Pack qty.
YTPE-F-6/6/6	83701856	Black	06 / 06 / 06	32.00	51.00	10
YTPE-F-11/11/16	83701870	Black	11 / 11 / 16	51.00	75.00	10
YTPE-F-11/11/21	83701872	Black	11 / 11 / 21	52.00	81.00	10
YTPE-F-16/16/16	83701874	Black	16 / 16 / 16	62.50	82.50	10
YTPE-F-16/16/21	83701878	Black	16 / 16 / 21	61.00	81.00	10
YTPE-F-21/21/29	83701882	Black	21 / 21 / 29	79.00	87.00	10
YTPE-F-29/29/36	83701886	Black	29 / 29 / 36	87.00	99.00	10
YTPE-F-36/36/48	83701888	Black	36 / 36 / 48	109.00	116.00	5
YTPE-F-6/6/6	83701826	Grey	06 / 06 / 06	32.00	51.00	10
YTPE-F-11/11/16	83701830	Grey	11 / 11 / 16	51.00	75.00	10
YTPE-F-16/16/16	83701834	Grey	16 / 16 / 16	62.50	82.50	10
YTPE-F-16/16/21	83701838	Grey	16 / 16 / 21	61.00	81.00	10
YTPE-F-21/21/29	83701842	Grey	21 / 21 / 29	79.00	87.00	10
YTPE-F-29/29/36	83701846	Grey	29 / 29 / 36	87.00	99.00	10



Cable fittings

Type m-seal® KV (plastic version)



PRODUCT INFORMATION

The m-seal cable fittings are manufactured of specially modified Polyamide and the seal is made of NBR.

m-seal cable fittings feature the following advantages:

- Large seal and clamping area
- With integrated strain relief
- High protection class IP 68
- Simple, fast assembly without special tools

SPECIFICATIONS

- 20 – 100 °C short term 150 °C
- Fitting: Mod. polyamide PA 6
Sealing ring: Neoprene (CR)
- Acc. to UL94 V2 self-extinguishing
- IP 68
- Strain relief according to DIN EN 50262



Type	Order No.	Colour	Connecting thread	Clamping range (LW) mm	EH mm	GL mm	SW 1 / 2 mm	Pack qty.
Metric plastic thread								
m-seal KV M12x1.5 3.0-6.5 ¹⁾	84181250	Black	M12x1.5	3.0 – 6.5	22.00	6.00	15.0	100
m-seal KV M16x1,5 4,0-8,0 ¹⁾	84181252	Black	M16x1,5	4.0 – 8.0	25.00	8.00	19.0	50
m-seal KV M20x1.5 6.0-12.0 ²⁾	84181254	Black	M20x1.5	6.0 – 12.0	29.00	10.00	24.0	50
m-seal KV M25x1.5 11.0-17.0 ²⁾	84181256	Black	M25x1.5	11.0 – 17.0	33.00	8.00	29.0	50
m-seal KV M32x1.5 15.0-21.0 ²⁾	84181258	Black	M32x1.5	15.0 – 21.0	39.00	10.00	36.0	25
m-seal KV M40x1.5 19.0-28.0 ²⁾	84181260	Black	M40x1.5	19.0 – 28.0	44.00	10.00	46.0	20
m-seal KV M50x1.5 30.0-38.0 ²⁾	84181262	Black	M50x1.5	30.0 – 38.0	49.00	18.00	60.0	10
m-seal KV M63x1.5 34.0-44.0 ²⁾	84181264	Black	M63x1.5	34.0 – 44.0	49.00	18.00	65.0	10
Pg plastic threading								
m-seal KV Pg 7 3.0-6.5 ¹⁾	84181050	Black	Pg 07	3.0 – 6.5	22.00	8.00	15.0	100
m-seal KV Pg 9 4.0-8.0 ¹⁾	84181052	Black	Pg 09	4.0 – 8.0	25.00	8.00	19.0	50

Type m-seal® KV (plastic version) (Continued...)

Type	Order No.	Colour	Connecting thread	Clamping range (LW) mm	EH mm	GL mm	SW 1 / 2 mm	Pack qty.
m-seal KV Pg 11 5.0-10.0 ³⁾	84181054	Black	Pg 11	5.0 – 10.0	28.00	8.00	22.0	50
m-seal KV Pg 13.5 6.0-12.0 ²⁾	84181056	Black	Pg 13.5	6.0 – 12.0	29.00	9.00	24.0	50
m-seal KV Pg 16 10.0-14.0 ⁴⁾	84181058	Black	Pg 16	10.0 – 14.0	31.00	10.00	27.0	50
m-seal KV Pg 21 13.0-18.0 ²⁾	84181060	Black	Pg 21	13.0 – 18.0	35.00	11.00	33.0	25
m-seal KV Pg 29 18.0-25.0 ⁴⁾	84181062	Black	Pg 29	18.0 – 25.0	40.00	11.00	42.0	20
m-seal KV Pg 36 22.0-32.0 ²⁾	84181064	Black	Pg 36	22.0 – 32.0	49.00	13.00	53.0	10
m-seal KV Pg 42 30.0-38.0 ²⁾	84181066	Black	Pg 42	30.0 – 38.0	49.00	13.00	60.0	10
m-seal KV Pg 48 34.0-44.0 ²⁾	84181068	Black	Pg 48	34.0 – 44.0	49.00	14.00	65.0	10
m-seal KV Pg 7 3.0-6.5 ¹⁾	84181000	Grey	Pg 07	3.0 – 6.5	22.00	8.00	15.0	100
m-seal KV Pg 9 4.0-8.0 ¹⁾	84181002	Grey	Pg 09	4.0 – 8.0	25.00	8.00	19.0	50
m-seal KV Pg 11 5.0-10.0 ³⁾	84181004	Grey	Pg 11	5.0 – 10.0	28.00	8.00	22.0	50
m-seal KV Pg 13.5 6.0-12.0 ²⁾	84181006	Grey	Pg 13.5	6.0 – 12.0	29.00	9.00	24.0	50
m-seal KV Pg 16 10.0-14.0 ⁴⁾	84181008	Grey	Pg 16	10.0 – 14.0	31.00	10.00	27.0	50
m-seal KV Pg 21 13.0-18.0 ²⁾	84181010	Grey	Pg 21	13.0 – 18.0	35.00	11.00	33.0	25
m-seal KV Pg 29 18.0-25.0 ⁴⁾	84181012	Grey	Pg 29	18.0 – 25.0	40.00	11.00	42.0	20
m-seal KV Pg 36 22.0-32.0 ²⁾	84181014	Grey	Pg 36	22.0 – 32.0	49.00	13.00	53.0	10
m-seal KV Pg 42 30.0-38.0 ²⁾	84181016	Grey	Pg 42	30.0 – 38.0	49.00	13.00	60.0	10
m-seal KV Pg 48 34.0-44.0 ²⁾	84181018	Grey	Pg 48	34.0 – 44.0	49.00	14.00	65.0	10

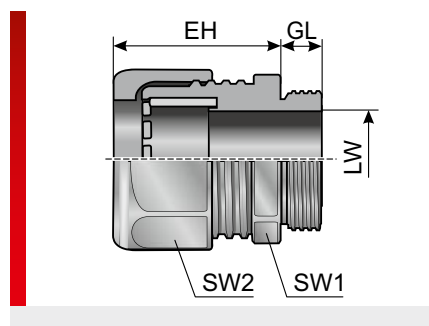
¹⁾ With UR approval

²⁾ With UL approval

³⁾ With cURus- approval

⁴⁾ With cULus- approval

Type m-seal® MV (metal version)




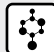



PRODUCT INFORMATION

The m-seal cable fittings are made of nickel-plated brass and the sealing ring of neoprene. The fittings offer excellent strain relief and have a cap nut that is resistant to vibration.

m-seal cable fittings feature the following advantages:

- Large seal and clamping area
- With integrated strain relief
- High protection class IP 68
- Simple, fast assembly without special tools

SPECIFICATIONS

	-20 – 100 °C short term 150 °C
	Fitting: Nickel-plated brass Sealing ring: Neoprene (CR)
	Acc. to UL94 V2 self-extinguishing
	IP 68
	Strain relief according to DIN EN 50262



Type	Order No.	Connecting thread	Clamping range (LW) mm	EH mm	GL mm	SW 1 / 2 mm	Pack qty.
Metric metal thread							
m-seal MV M12x1.5 3.0-6.5 ¹⁾	84201600	M12x1.5	3.0 – 6.5	21.50	6.00	14.0	50
m-seal MV M16x1.5 5.0-10.0 ²⁾	84201602	M16x1,5	5.0 – 10.0	25.30	7.00	20.0	50
m-seal MV M20x1.5 6.0-12.0 ¹⁾	84201604	M20x1.5	6.0 – 12.0	25.40	8.00	22.0	50
m-seal MV M25x1.5 11.0-17.0 ³⁾	84201606	M25x1.5	11.0 – 17.0	31.00	8.00	27.0	25
m-seal MV M32x1.5 15.0-21.0 ³⁾	84201608	M32x1.5	15.0 – 21.0	33.50	8.00	34.0	10
m-seal MV M40x1.5 19.0-28.0 ³⁾	84201610	M40x1.5	19.0 – 28.0	42.00	9.00	43.0	10
m-seal MV M50x1.5 27.0-38.0 ³⁾	84201612	M50x1.5	27.0 – 38.0	50.00	9.00	58.0	5
m-seal MV M63x1.5 34.0-44.0 ¹⁾	84201614	M63x1.5	34.0 – 44.0	52.30	14.00	64.0 / 68.0	5
Pg metal thread							
m-seal MV Pg 7 3.0-6.5 ¹⁾	84201000	Pg 07	3.0 – 6.5	21.80	6.00	14.0	50
m-seal MV Pg 9 4.0-8.0 ¹⁾	84201002	Pg 09	4.0 – 8.0	22.60	6.00	17.0	50
m-seal MV Pg 11 5.0-11.0 ¹⁾	84201004	Pg 11	5.0 – 11.0	25.30	6.00	20.0	50
m-seal MV Pg 13.5 6.0-12.0 ¹⁾	84201006	Pg 13.5	6.0 – 12.0	24.10	6.50	22.0	50
m-seal MV Pg 16 10.0-14.0 ¹⁾	84201008	Pg 16	10.0 – 14.0	27.50	6.50	24.0	25
m-seal MV Pg 21 13.0-18.0 ¹⁾	84201010	Pg 21	13.0 – 18.0	31.20	7.20	30.0	20
m-seal MV Pg 29 18.0-25.0 ¹⁾	84201012	Pg 29	18.0 – 25.0	39.30	8.00	40.0	10
m-seal MV Pg 36 22.0-32.0 ¹⁾	84201014	Pg 36	22.0 – 32.0	47.20	9.00	50.0	5
m-seal MV Pg 42 30.0-38.0 ¹⁾	84201016	Pg 42	30.0 – 38.0	47.70	12.00	58.0	5
m-seal MV Pg 48 34.0-44.0 ¹⁾	84201018	Pg 48	34.0 – 44.0	52.00	14.00	64.0	5
Long, metal metric threading							
m-seal MV M12x1.5-L 3.0-6.5	84201400	M12x1.5	3.0 – 6.5	21.50	12.00	14.0	50

Type m-seal® MV (metal version) (Continued...)

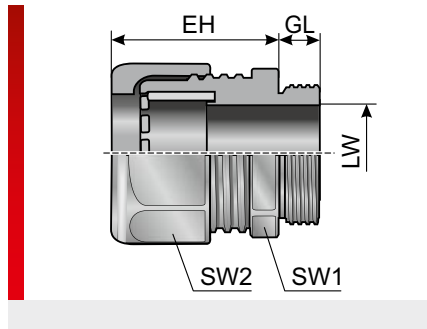
Type	Order No.	Connecting thread	Clamping range (LW) mm	EH mm	GL mm	SW 1 / 2 mm	Pack qty.
m-seal MV M16x1.5-L 5.0-10.0	84201402	M16x1,5	5.0 – 10.0	25.30	12.00	20.0	50
m-seal MV M20x1.5-L 6.0-12.0	84201404	M20x1.5	6.0 – 12.0	25.40	12.00	22.0	50
m-seal MV M25x1.5-L 11.0-17.0	84201406	M25x1.5	11.0 – 17.0	31.00	12.00	27.0	25
m-seal MV M32x1.5-L 15.0-21.0	84201408	M32x1.5	15.0 – 21.0	33.50	15.00	34.0	10
m-seal MV M40x1.5-L 19.0-28.0	84201410	M40x1.5	19.0 – 28.0	42.00	15.00	43.0	10
m-seal MV M50x1.5-L 27.0-38.0	84201412	M50x1.5	27.0 – 38.0	50.00	15.00	58.0	5
m-seal MV M63x1.5-L 34.0-44.0	84201414	M63x1.5	34.0 – 44.0	52.30	15.00	64.0 / 68.0	5
Long, metal PG threading							
m-seal MV Pg 7-L 3.0-6.5	84201200	Pg 07	3.0 – 6.5	21.80	10.00	14.0	50
m-seal MV Pg 9-L 4.0-8.0	84201202	Pg 09	4.0 – 8.0	22.60	10.00	17.0	50
m-seal MV Pg 11-L 5.0-11.0	84201204	Pg 11	5.0 – 11.0	25.30	10.00	20.0	50
m-seal MV Pg 13.5-L 6.0-12.0	84201206	Pg 13.5	6.0 – 12.0	24.10	10.00	22.0	50
m-seal MV Pg 16-L 10.0-14.0	84201208	Pg 16	10.0 – 14.0	27.50	10.00	24.0	25
m-seal MV Pg 21-L 13.0-18.0	84201210	Pg 21	13.0 – 18.0	31.20	12.00	30.0	20
m-seal MV Pg 29-L 18.0-25.0	84201212	Pg 29	18.0 – 25.0	39.30	12.00	40.0	10
m-seal MV Pg 36-L22.0-32.0	84201214	Pg 36	22.0 – 32.0	47.20	14.00	50.0	5
m-seal MV Pg 42-L 30.0-38.0	84201216	Pg 42	30.0 – 38.0	47.70	16.00	58.0	5
m-seal MV Pg 48-L 34.0-44.0	84201218	Pg 48	34.0 – 44.0	52.00	18.00	64.0	5

¹⁾ With CSA approval

²⁾ With CSA- and cURus- approval

³⁾ With CSA- and cULus- approval

Type m-seal® EMC (EMV)



PRODUCT INFORMATION

With the m-seal EMC (EMV) cable fittings, simple radial and axial movement of the cable are possible, even at contact location. The contact finger surfaces with rounded edges prevent damage to the conductor. In addition, the large surface on the contact finger makes low contact resistance possible, even on loosely woven cables (the contact area does not press into the conductor).

The m-seal EMC (EMV) cable fitting features the following advantages:

- Large seal and clamping area
- With integrated strain relief
- High protection class IP 68
- High contract rating, even at vibration conditions
- Very simple and rapid assembly without tools
- Suitable for the highest requirements of today's technology
- Very good shielding attenuation

SPECIFICATIONS

- 20 – 100 °C short term 150 °C
- Fitting: Nickel-plated brass
Sealing ring: Neoprene (CR)
- Acc. to UL94 V2 self-extinguishing
- IP 68
- Strain relief according to DIN EN 50262

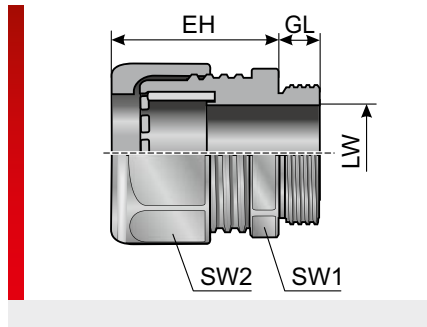


Type	Order No.	Connecting thread	Clamping range (LW) mm	Contact diameter mm	EH mm	GL mm	SW 1 / 2 mm	Pack qty.
Metric metal thread / EMC version								
m-seal EMC M12x1.5 3.0-6.5 ¹⁾	84201800	M12x1.5	3.0 – 6.5	2.0 – 5.0	28.00	6.00	14.0	50
m-seal EMC M16x1.5 5.0-10.0 ¹⁾	84201802	M16x1,5	5.0 – 10.0	3.5 – 8.0	34.00	6.00	20.0	50
m-seal EMC M20x1.5 6.0-12.0	84201804	M20x1.5	6.0 – 12.0	4.5 – 10.0	38.00	6.00	24.0	50
m-seal EMC M25x1.5 10.0-18.0 ¹⁾	84201806	M25x1.5	10.0 – 18.0	7.0 – 14.0	42.00	8.00	30.0	25
m-seal EMC M32x1.5 16.0-25.0 ²⁾	84201808	M32x1.5	16.0 – 25.0	12.0 – 20.0	50.00	9.00	40.0	10
m-seal EMC M40x1.5 22.0-32.0 ²⁾	84201810	M40x1.5	22.0 – 32.0	18.0 – 27.0	57.00	9.00	50.0	5
m-seal EMC M50x1.5 30.0-38.0 ²⁾	84201812	M50x1.5	30.0 – 38.0	26.0 – 34.0	68.00	9.00	58.0	5
m-seal EMC M63x1.5 34.0-44.0 ²⁾	84201814	M63x1.5	34.0 – 44.0	30.0 – 40.0	69.00	14.00	64.0 / 68.0	5

¹⁾With cURus- approval

²⁾With cULus- approval

Type WKK (plastic version)



PRODUCT INFORMATION

The WKK cable fittings are made of specially modified polyamide and the seals of NBR. The materials are halogen, phosphor and cadmium-free. The KV-ME multi-inserts can be used in the cable fittings.

The WKK cable fittings feature the following advantages:

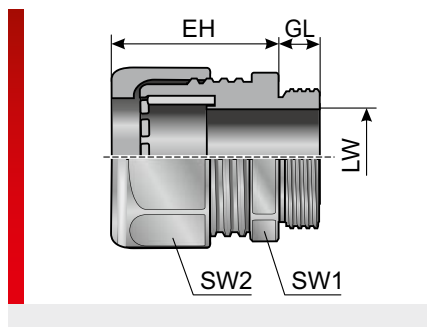
- Very high protection class
- Easy to assemble
- Large clamping range
- Vibration-resistant cap nut

SPECIFICATIONS

- 40 – 100 °C short term 120 °C
- Fitting: Mod. polyamide PA 6
Moulded seal: Perbunan (NBR)
- Acc. to UL94 V0 self-extinguishing
- IP 54 up to IP65 for smooth surfaces
IP 68 with additional O-ring type OR to 10 bar

Type	Order No.	Colour	Connecting thread	Clamping range (LW) mm	EH mm	GL mm	SW 1 / 2 mm	Pack qty.
Metric thread								
WKK-M12x1,5 ¹⁾	84105050	Black	M12x1.5	3.0 – 6.5	21.00	8.00	15.0 / 15.0	50
WKK-M16x1,5 ¹⁾	84105056	Black	M16x1,5	4.0 – 8.0	22.00	8.00	19.0 / 19.0	50
WKK-M20x1,5 ²⁾	84105062	Black	M20x1.5	6.0 – 12.0	27.00	9.00	24.0 / 24.0	50
WKK-M25x1,5 ²⁾	84105068	Black	M25x1.5	13.0 – 18.0	31.00	11.00	33.0 / 33.0	50
WKK-M32x1,5 ²⁾	84105074	Black	M32x1.5	18.0 – 25.0	39.00	11.00	42.0 / 42.0	25
WKK-M40x1,5 ²⁾	84105080	Black	M40x1.5	22.0 – 32.0	48.00	13.00	53.0 / 53.0	10
WKK-M50x1,5 ²⁾	84105086	Black	M50x1.5	32.0 – 38.0	49.00	13.00	60.0 / 60.0	10
WKK-M63x1,5 ²⁾	84105092	Black	M63x1.5	37.0 – 44.0	49.00	14.00	65.0 / 68.0	10
Metric version with extended thread								
WKK/L-M12x1,5 ¹⁾	84105650	Black	M12x1.5	3.0 – 6.5	21.00	15.00	15.0 / 15.0	50
WKK/L-M16x1,5 ¹⁾	84105652	Black	M16x1,5	4.0 – 8.0	22.00	15.00	19.0 / 19.0	50
WKK/L-M20x1,5 ²⁾	84105654	Black	M20x1.5	6.0 – 12.0	27.00	15.00	24.0 / 24.0	50

Type WKK (plastic version) (Continued...)



Type	Order No.	Colour	Connecting thread	Clamping range (LW) mm	EH mm	GL mm	SW 1 / 2 mm	Pack qty.
WKK/L-M25x1,5 ²⁾	84105656	Black	M25x1.5	13.0 – 18.0	31.00	15.00	33.0 / 33.0	50
Pg threads								
WKK-Pg 07 ¹⁾	84101050	Black	Pg 07	3.0 – 6.5	21.00	8.00	15.0 / 15.0	50
WKK-Pg 09 ¹⁾	84101052	Black	Pg 09	4.0 – 8.0	22.00	8.00	19.0 / 19.0	50
WKK-Pg 11 ¹⁾	84101054	Black	Pg 11	5.0 – 10.0	25.00	8.00	22.0 / 22.0	50
WKK-Pg 13.5 ²⁾	84101056	Black	Pg 13.5	6.0 – 12.0	27.00	9.00	24.0 / 24.0	50
WKK-Pg 16 ²⁾	84101058	Black	Pg 16	10.0 – 14.0	28.00	10.00	27.0 / 27.0	50
WKK-Pg 21 ²⁾	84101060	Black	Pg 21	13.0 – 18.0	31.00	11.00	33.0 / 33.0	50
WKK-Pg 29 ²⁾	84101062	Black	Pg 29	18.0 – 25.0	39.00	11.00	42.0 / 42.0	25
WKK-Pg 36 ²⁾	84101064	Black	Pg 36	22.0 – 32.0	48.00	13.00	53.0 / 53.0	10
WKK-Pg 42 ²⁾	84101066	Black	Pg 42	32.0 – 38.0	49.00	13.00	60.0 / 60.0	5
WKK-Pg 48 ²⁾	84101068	Black	Pg 48	37.0 – 44.0	49.00	13.00	65.0 / 65.0	5
WKK-Pg 07 ¹⁾	84101010	Grey	Pg 07	3.0 – 6.5	21.00	8.00	15.0 / 15.0	50
WKK-Pg 09 ¹⁾	84101012	Grey	Pg 09	4.0 – 8.0	22.00	8.00	19.0 / 19.0	50
WKK-Pg 11 ¹⁾	84101014	Grey	Pg 11	5.0 – 10.0	25.00	8.00	22.0 / 22.0	50
WKK-Pg 13.5 ²⁾	84101016	Grey	Pg 13.5	6.0 – 12.0	27.00	9.00	24.0 / 24.0	50
WKK-Pg 16 ²⁾	84101018	Grey	Pg 16	10.0 – 14.0	28.00	10.00	27.0 / 27.0	50
WKK-Pg 21 ²⁾	84101020	Grey	Pg 21	13.0 – 18.0	31.00	11.00	33.0 / 33.0	50
WKK-Pg 29 ²⁾	84101022	Grey	Pg 29	18.0 – 25.0	39.00	11.00	42.0 / 42.0	25
WKK-Pg 36 ²⁾	84101024	Grey	Pg 36	22.0 – 32.0	48.00	13.00	53.0 / 53.0	10
WKK-Pg 42 ²⁾	84101026	Grey	Pg 42	32.0 – 38.0	49.00	13.00	60.0 / 60.0	5
WKK-Pg 48 ²⁾	84101028	Grey	Pg 48	37.0 – 44.0	49.00	13.00	65.0 / 65.0	5
Pg version with extended thread								
WKK/L-Pg 07 ¹⁾	84101650	Black	Pg 07	3.0 – 6.5	21.00	15.00	15.0 / 15.0	50
WKK/L-Pg 09 ¹⁾	84101652	Black	Pg 09	4.0 – 8.0	22.00	15.00	19.0 / 19.0	50
WKK/L-Pg 11 ¹⁾	84101654	Black	Pg 11	5.0 – 10.0	25.00	15.00	22.0 / 22.0	50
WKK/L-Pg 13.5 ²⁾	84101656	Black	Pg 13.5	6.0 – 12.0	27.00	15.00	24.0 / 24.0	50
WKK/L-Pg 16 ²⁾	84101658	Black	Pg 16	10.0 – 14.0	28.00	15.00	27.0 / 27.0	50
WKK/L-Pg 21 ²⁾	84101660	Black	Pg 21	13.0 – 18.0	31.00	15.00	33.0 / 33.0	50
WKK/L-Pg 29 ²⁾	84101662	Black	Pg 29	18.0 – 25.0	39.00	15.00	42.0 / 42.0	25
WKK/L-Pg 36 ²⁾	84101664	Black	Pg 36	22.0 – 32.0	48.00	18.00	53.0 / 53.0	10
WKK/L-Pg 42 ²⁾	84101666	Black	Pg 42	32.0 – 38.0	49.00	18.00	60.0 / 60.0	5
WKK/L-Pg 48 ²⁾	84101668	Black	Pg 48	37.0 – 44.0	49.00	18.00	65.0 / 65.0	5
WKK/L-Pg 07 ¹⁾	84101610	Grey	Pg 07	3.0 – 6.5	21.00	15.00	15.0 / 15.0	50

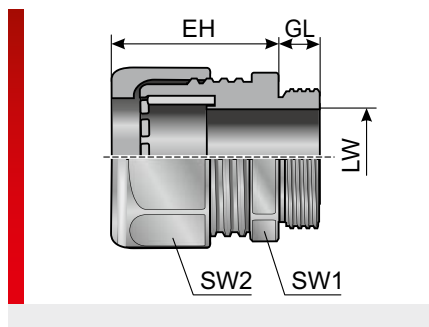
Type WKK (plastic version) (Continued...)

Type	Order No.	Colour	Connecting thread	Clamping range (LW) mm	EH mm	GL mm	SW 1 / 2 mm	Pack qty.
WKK/L-Pg 09 ¹⁾	84101612	Grey	Pg 09	4.0 – 8.0	22.00	15.00	19.0 / 19.0	50
WKK/L-Pg 11 ¹⁾	84101614	Grey	Pg 11	5.0 – 10.0	25.00	15.00	22.0 / 22.0	50
WKK/L-Pg 13.5 ²⁾	84101616	Grey	Pg 13.5	6.0 – 12.0	27.00	15.00	24.0 / 24.0	50
WKK/L-Pg 16 ²⁾	84101618	Grey	Pg 16	10.0 – 14.0	28.00	15.00	27.0 / 27.0	50
WKK/L-Pg 21 ²⁾	84101620	Grey	Pg 21	13.0 – 18.0	31.00	15.00	33.0 / 33.0	50
WKK/L-Pg 29 ²⁾	84101622	Grey	Pg 29	18.0 – 25.0	39.00	15.00	42.0 / 42.0	25
WKK/L-Pg 36 ²⁾	84101624	Grey	Pg 36	22.0 – 32.0	48.00	18.00	53.0 / 53.0	10
WKK/L-Pg 42 ²⁾	84101626	Grey	Pg 42	32.0 – 38.0	49.00	18.00	60.0 / 60.0	5
WKK/L-Pg 48 ²⁾	84101628	Grey	Pg 48	37.0 – 44.0	49.00	18.00	65.0 / 65.0	5
NPT thread								
WKK/NPT 3/8 ¹⁾	84102050	Black	3/8"	2.0 – 6.0	22.00	15.00	19.0 / 22.0	50
WKK/NPT 3/8 ¹⁾	84102052	Black	3/8"	4.0 – 8.0	22.00	15.00	19.0 / 22.0	50
WKK/NPT 1/2 ²⁾	84102054	Black	1/2"	5.0 – 9.0	27.00	13.00	24.0 / 24.0	50
WKK/NPT 1/2 ²⁾	84102056	Black	1/2"	9.0 – 12.0	28.00	13.00	24.0 / 24.0	50
WKK/NPT 3/4' 9-16 KV, sw ²⁾	84102058	Black		9.0 – 16.0	32.00	13.00	33.0 / 33.0	50
WKK/NPT 3/4' 13-18 KV, sw ²⁾	84102060	Black		13.0 – 18.0	32.00	13.00	33.0 / 33.0	50
WKK NPT 3/8' 2-6 KV, gr ¹⁾	84102010	Grey	3/8"	2.0 – 6.0	22.00	15.00	19.0 / 22.0	50
WKK NPT 3/8' 4-8 KV, gr ¹⁾	84102012	Grey	3/8"	4.0 – 8.0	22.00	15.00	19.0 / 22.0	50
WKK NPT 1/2' 5-9 KV, gr ²⁾	84102014	Grey	1/2"	5.0 – 9.0	27.00	13.00	24.0 / 24.0	50
WKK NPT 1/2' 9-12 KV, gr ²⁾	84102016	Grey	1/2"	9.0 – 12.0	28.00	13.00	24.0 / 24.0	50
WKK NPT 3/4' 9-16 KV, gr ²⁾	84102018	Grey	3/4"	9.0 – 16.0	32.00	13.00	33.0 / 33.0	50
WKK NPT 3/4" 13-18 KV, gr ²⁾	84102020	Grey	3/4"	13.0 – 18.0	32.00	13.00	33.0 / 33.0	50

¹⁾ With cURus- approval

²⁾ With cULus- approval

Type WKK/Ex (plastic version)



PRODUCT INFORMATION

The WKK-Ex cable fittings are made of specially modified polyamide and the form seals of NBR. The materials are halogen, phosphor and cadmium-free.

The WKK-Ex cable fittings feature the following advantages:

- Easy to assemble
- Approved for areas at risk of explosion
- Large clamping range

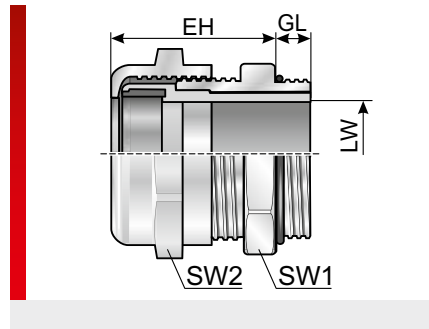
SPECIFICATIONS

- 20 – 85 °C
- Fitting: Mod. polyamide PA 6
Moulded seal: Perbunan (NBR)
- Acc. to UL94 V0 self-extinguishing
- IP 68 with additional O-ring type OR to 10 bar



Type	Order No.	Colour	Connecting thread	Clamping range (LW) mm	EH mm	GL mm	SW 1 / 2 mm	Pack qty.
WKK/EX M12x1,5 3-6,5	84101352	Black	M12x1.5	3.0 – 6.5	15.00	15.00	15.0	50
WKK/EX M16x1,5 4-8	84101354	Black	M16x1,5	4.0 – 8.0	22.00	15.00	19.0	50
WKK/EX M16x1,5 5-10	84101356	Black	M16x1,5	5.0 – 10.0	25.00	15.00	22.0	50
WKK/EX M20x1,5 6-12	84101358	Black	M20x1.5	6.0 – 12.0	27.00	15.00	24.0	50
WKK/EX M20x1,5 10-14	84101360	Black	M20x1.5	10.0 – 14.0	28.00	15.00	27.0	50
WKK/EX M25x1,5 13-18	84101362	Black	M25x1.5	13.0 – 18.0	31.00	15.00	33.0	50
WKK/EX M32x1,5 18-25	84101364	Black	M32x1.5	18.0 – 25.0	39.00	15.00	42.0	25
WKK/EX M40x1,5 22-32	84101366	Black	M40x1.5	22.0 – 32.0	48.00	18.00	53.0	10
WKK/EX M50x1,5 32-38	84101368	Black	M50x1.5	32.0 – 38.0	49.00	18.00	60.0	5
WKK/EX M63x1,5 37-44	84101370	Black	M63x1.5	37.0 – 44.0	49.00	18.00	65.0 / 68.0	5

Type WKM (metal version)



PRODUCT INFORMATION

The cable fittings are made of nickel-plated brass and specially modified polyamide, and the seal of NBR. The KV-ME multi-inserts can be used in the fittings.

The WKM cable fittings feature the following advantages:

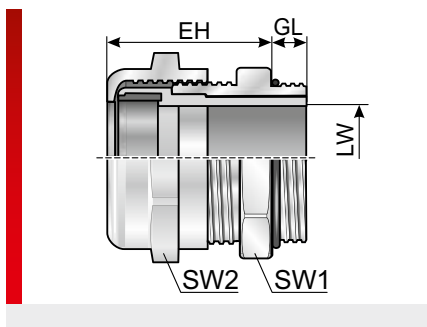
- Very high protection class
- Easy to assemble
- Large clamping range
- Vibration-resistant cap nut
- O-ring of type OR included in delivery

SPECIFICATIONS

- 40 – 100 °C short term 120 °C
- Fitting: Nickel-plated brass
Clamping ring: Mod. polyamide PA 6
Moulded seal: NBR
- Acc. to UL94 V0 self-extinguishing
- IP 68 with additional O-ring type OR to 10 bar

Type	Order No.	Colour	Connecting thread	Clamping range (LW) mm	EH mm	GL mm	SW 1 / 2 mm	Pack qty.
Metric thread								
WKM-M12x1,5 ¹⁾	84125010	Silver	M12x1.5	3.0 – 6.5	19.00	5.00	14.0	50
WKM-M16x1,5 ¹⁾	84125014	Silver	M16x1.5	4.0 – 8.0	20.00	6.00	17.0	50
WKM-M20x1,5 ²⁾	84125018	Silver	M20x1.5	6.0 – 12.0	22.00	6.00	22.0	50
WKM-M25x1,5 ²⁾	84125022	Silver	M25x1.5	13.0 – 18.0	25.00	7.00	27.0	25
WKM-M32x1,5 ²⁾	84125026	Silver	M32x1.5	18.0 – 25.0	29.00	8.00	40.0	25
WKM-M40x1,5 ²⁾	84125030	Silver	M40x1.5	22.0 – 32.0	35.00	8.00	50.0	10
WKM-M50x1,5 ²⁾	84125034	Silver	M50x1.5	32.0 – 38.0	37.00	9.00	57.0	10
WKM-M63x1,5 ²⁾	84125038	Silver	M63x1.5	37.0 – 44.0	38.00	10.00	64.0 / 68.0	10
Pg threads								
WKM-Pg 07 ¹⁾	84121010	Silver	Pg 07	3.0 – 6.5	19.00	5.00	14.0	50
WKM-Pg 09 ¹⁾	84121012	Silver	Pg 09	4.0 – 8.0	20.00	6.00	17.0	50
WKM-Pg 11 ¹⁾	84121014	Silver	Pg 11	5.0 – 10.0	21.00	6.00	20.0	50
WKM-Pg 13.5 ²⁾	84121016	Silver	Pg 13.5	6.0 – 12.0	22.00	6.50	22.0	50
WKM-Pg 16 ²⁾	84121018	Silver	Pg 16	10.0 – 14.0	23.00	6.50	24.0	50
WKM-Pg 21 ²⁾	84121020	Silver	Pg 21	13.0 – 18.0	25.00	7.00	30.0	25
WKM-Pg 29 ²⁾	84121022	Silver	Pg 29	18.0 – 25.0	29.00	8.00	40.0	25
WKM-Pg 36 ²⁾	84121024	Silver	Pg 36	22.0 – 32.0	35.00	8.00	40.0	10
WKM-Pg 42 ²⁾	84121026	Silver	Pg 42	32.0 – 38.0	37.00	9.00	57.0	5
WKM-Pg 48 ²⁾	84121028	Silver	Pg 48	37.0 – 44.0	38.00	10.00	64.0	5

Type WKM (metal version) (Continued...)

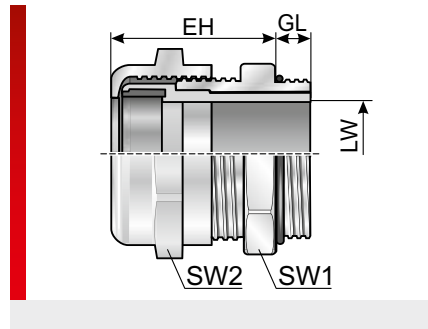


Type	Order No.	Colour	Connecting thread	Clamping range (LW) mm	EH mm	GL mm	SW 1 / 2 mm	Pack qty.
Pg version with extended thread								
WKM/L-Pg 07 ¹⁾	84121210	Silver	Pg 07	3.0 – 6.5	19.00	10.00	14.0	50
WKM/L-Pg 09 ¹⁾	84121212	Silver	Pg 09	4.0 – 8.0	20.00	10.00	17.0	50
WKM/L-Pg 11 ¹⁾	84121214	Silver	Pg 11	5.0 – 10.0	21.00	10.00	20.0	50
WKM/L-Pg 13.5 ²⁾	84121216	Silver	Pg 13.5	6.0 – 12.0	22.00	10.00	22.0	50
WKM/L-Pg 16 ²⁾	84121218	Silver	Pg 16	10.0 – 14.0	23.00	10.00	24.0	50
WKM/L-Pg 21 ²⁾	84121220	Silver	Pg 21	13.0 – 18.0	25.00	12.00	30.0	25
WKM/L-Pg 29 ²⁾	84121222	Silver	Pg 29	18.0 – 25.0	29.00	12.00	40.0	25
WKM/L-Pg 36 ²⁾	84121224	Silver	Pg 36	22.0 – 32.0	35.00	15.00	40.0	10
WKM/L-Pg 42 ²⁾	84121226	Silver	Pg 42	32.0 – 38.0	37.00	15.00	57.0	5
WKM/L-Pg 48 ²⁾	84121228	Silver	Pg 48	37.0 – 44.0	38.00	15.00	64.0	5
NPT thread								
WKM-NPT 3/8 ¹⁾	84122212	Silver	3/8"	2.0 – 6.0	21.00	15.00	17.0 / 19.0	50
WKM-NPT 3/8 ¹⁾	84122210	Silver	3/8"	4.0 – 8.0	21.00	15.00	17.0 / 19.0	50
WKM-NPT 1/2 ²⁾	84122216	Silver	1/2"	5.0 – 9.0	24.00	13.00	22.0 / 24.0	50
WKM-NPT 1/2 ²⁾	84122214	Silver	1/2"	6.0 – 12.0	24.00	13.00	22.0 / 24.0	50
WKM-NPT 3/4 ²⁾	84122220	Silver	3/4"	9.0 – 16.0	25.00	13.00	30.0	25
WKM-NPT 3/4 ²⁾	84122218	Silver	3/4"	13.0 – 18.0	25.00	13.00	30.0	25

¹⁾ With cURus- approval

²⁾ With cULus- approval

Type MWKM (metal version with multi-insert)





PRODUCT INFORMATION

The MWKM is a metal cable fitting made of nickel-plated brass, specially modified polyamide and an additional multi-insert that makes it possible to run multiple cords through a cable fitting.

The MWKM cable fittings feature the following advantages:

- Integrated multi-insert
- High tightness
- Easy to assemble
- Type OR O-ring included in delivery

SPECIFICATIONS

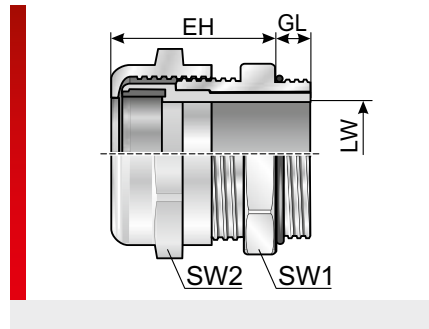
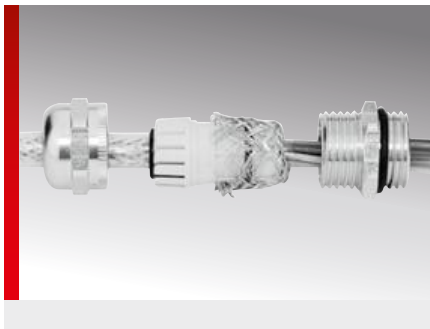
	-40 – 100 °C short term 120 °C
	Fitting: Nickel-plated brass Clamping ring: Mod. polyamide PA 6 IP 65
	IP 68 with optimum configuration and with additional O-ring, type OR



Type	Order No.	Colour	Connecting thread	EH mm	GL mm	SW 1 / 2 mm	Pack qty.
MWKM-Pg 09-2x3 ¹⁾	84121810	Silver	Pg 09	21.00	6.00	17.0 / 17.0	50
MWKM-Pg 09-4x1.4 ¹⁾	84121812	Silver	Pg 09	21.00	6.00	17.0 / 17.0	50
MWKM-Pg 11-2x3 ¹⁾	84121814	Silver	Pg 11	22.00	6.00	20.0 / 20.0	50
MWKM-Pg 11-2x4 ¹⁾	84121816	Silver	Pg 11	22.00	6.00	20.0 / 20.0	50
MWKM-Pg 11-3x3 ¹⁾	84121818	Silver	Pg 11	22.00	6.00	20.0 / 20.0	50
MWKM-Pg 13.5-2x5 ¹⁾	84121820	Silver	Pg 13.5	24.00	6.50	22.0 / 22.0	50
MWKM-Pg 13.5-3x2 ¹⁾	84121822	Silver	Pg 13.5	24.00	6.50	22.0 / 22.0	50
MWKM-Pg 13.5-3x4 ¹⁾	84121824	Silver	Pg 13.5	24.00	6.50	22.0 / 22.0	50
MWKM-Pg 13.5-6x3 ¹⁾	84121826	Silver	Pg 13.5	22.00	6.50	22.0 / 22.0	50
MWKM-Pg 16-2x6 ¹⁾	84121828	Silver	Pg 16	23.00	6.50	24.0 / 24.0	50
MWKM-Pg 16-3x3 ¹⁾	84121830	Silver	Pg 16	23.00	6.50	24.0 / 24.0	50
MWKM-Pg 16-3x4 ¹⁾	84121832	Silver	Pg 16	23.00	6.50	24.0 / 24.0	50
MWKM-Pg 16-3x6 ¹⁾	84121834	Silver	Pg 16	23.00	6.50	24.0 / 24.0	50
MWKM-Pg 16-4x4 ¹⁾	84121836	Silver	Pg 16	23.00	6.50	24.0 / 24.0	50
MWKM-Pg 16-5x4 ¹⁾	84121838	Silver	Pg 16	23.00	6.50	24.0 / 24.0	50
MWKM-Pg 16-6x4 ¹⁾	84121840	Silver	Pg 16	23.00	6.50	24.0 / 24.0	50
MWKM-Pg 21-2x8 ¹⁾	84121842	Silver	Pg 21	24.00	7.00	30.0 / 30.0	25
MWKM-Pg 21-3x7 ¹⁾	84121844	Silver	Pg 21	24.00	7.00	30.0 / 30.0	25
MWKM-Pg 21-4x6 ¹⁾	84121846	Silver	Pg 21	24.00	7.00	30.0 / 30.0	25

¹⁾ With cURus- approval

Type WKM-EMV (metal versions)



PRODUCT INFORMATION

The WKM/EMV cable fittings are made of nickel-plated brass and specially modified polyamide, and the seals of NBR. The materials are halogen, phosphor and cadmium-free. Shielded cables can be connected to earth potential using this cable fitting. The cable's braiding makes contact with the metal body, discharge the sheath currents.

The WKM/EMV cable fittings feature the following advantages:

- Large clamping range
- Very high protection class
- Easy to assemble
- Simple contacting
- Type OR O-ring included in delivery

SPECIFICATIONS

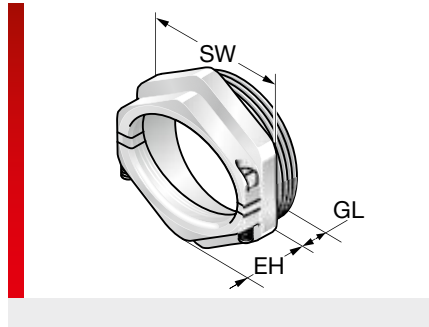
- 40 – 100 °C short term 120 °C
- Fitting: Nickel-plated brass
Clamping ring: Mod. polyamide PA 6
Moulded seal: NBR
- Acc. to UL94 V0 self-extinguishing
- IP 68 with additional O-ring type OR to 10 bar

Type	Order No.	Colour	Connecting thread	Clamping range (LW) mm	EH mm	GL mm	SW 1 / 2 mm	Pack qty.
Metric / EMC design								
WKM/EMV M12x1,5 ¹⁾	84125210	Silver	M12x1.5	3.0 – 6.5	19.00	5.00	14.0 / 14.0	50
WKM/EMV M16x1,5 ¹⁾	84125212	Silver	M16x1,5	6.0 – 10.0	22.00	6.00	20.0 / 20.0	50
WKM/EMV M20x1,5 ²⁾	84125214	Silver	M20x1.5	10.0 – 14.0	23.00	6.00	24.0 / 24.0	50
WKM/EMV M25x1,5 ²⁾	84125216	Silver	M25x1.5	14.0 – 18.0	24.00	7.00	30.0 / 30.0	25
WKM/EMV M32x1,5 ²⁾	84125218	Silver	M32x1.5	20.0 – 25.0	31.00	8.00	40.0 / 40.0	25
WKM/EMV M40x1,5 ²⁾	84125220	Silver	M40x1.5	22.0 – 32.0	37.00	8.00	50.0 / 50.0	10
WKM/EMV M50x1,5 ²⁾	84125222	Silver	M50x1.5	32.0 – 38.0	37.00	9.00	57.0	5
WKM/EMV M63x1,5 ²⁾	84125224	Silver	M63x1.5	37.0 – 44.0	38.00	10.00	64.0 / 68.0	5
Pg / EMC design								
WKM/EMV Pg 07 ¹⁾	84122010	Silver	Pg 07	3.0 – 6.5	19.00	5.00	14.0 / 14.0	50
WKM/EMV Pg 09 ¹⁾	84122012	Silver	Pg 09	4.0 – 8.0	21.00	6.00	17.0 / 17.0	50
WKM/EMV Pg 11 ¹⁾	84122014	Silver	Pg 11	6.0 – 10.0	22.00	6.00	20.0 / 20.0	50
WKM/EMV Pg 13.5 ²⁾	84122016	Silver	Pg 13.5	6.0 – 12.0	24.00	6.50	22.0 / 22.0	50
WKM/EMV Pg 16 ²⁾	84122018	Silver	Pg 16	10.0 – 14.0	23.00	6.50	24.0 / 24.0	50
WKM/EMV Pg 21 ²⁾	84122020	Silver	Pg 21	14.0 – 18.0	24.00	7.00	30.0 / 30.0	25
WKM/EMV Pg 29 ²⁾	84122022	Silver	Pg 29	20.0 – 25.0	29.00	8.00	40.0 / 40.0	25
WKM/EMV Pg 36 ²⁾	84122024	Silver	Pg 36	22.0 – 32.0	35.00	8.00	50.0 / 50.0	10
WKM/EMV Pg 42 ²⁾	84122026	Silver	Pg 42	32.0 – 38.0	37.00	9.00	57.0 / 57.0	5
WKM/EMV Pg 48 ²⁾	84122028	Silver	Pg 48	37.0 – 44.0	38.00	10.00	64.0 / 64.0	5

¹⁾ With cURus- approval

²⁾ With cULus- approval

Type KKV



PRODUCT INFORMATION

The KKV cable clamp fittings are made of nickel-plated brass and used as simple and quick strain relief for cables that need to be inserted into for example a control cabinet.

The cable clamp fittings feature the following advantages:

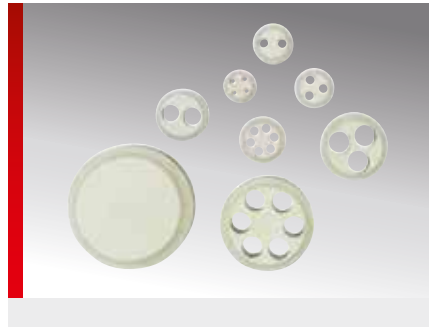
- Large clamping range
- With integrated centric strain relief
- Quick and easy assembly with a screw-driver

SPECIFICATIONS

- 40 – 110 °C
- Nickel-plated brass

Type	Order No.	Colour	Connecting thread	Clamping range (LW) mm	EH mm	GL mm	SW 1 / 2 mm	Pack qty.
KKV PG 07 5.0-8.0	84221200	Silver	Pg 07	5.0 – 8.0	9.50	5.50	16.0	100
KKV PG 09 7.0-10.0	84221202	Silver	Pg 09	7.0 – 10.0	10.00	6.00	19.0	100
KKV PG 11 8.0-12.0	84221204	Silver	Pg 11	8.0 – 12.0	11.50	6.00	22.0	50
KKV PG 13 10.0-14.0	84221206	Silver	Pg 13	10.0 – 14.0	10.50	7.50	24.0	50
KKV PG 16 11.0-17.0	84221208	Silver	Pg 16	11.0 – 17.0	11.50	7.50	27.0	50
KKV PG 21 12.0-22.0	84221210	Silver	Pg 21	12.0 – 22.0	13.00	8.00	34.0	25
KKV PG 29 19.0-30.0	84221212	Silver	Pg 29	19.0 – 30.0	14.00	8.00	42.0	20
KKV PG 36 25.0-37.0	84221214	Silver	Pg 36	25.0 – 37.0	16.00	9.50	52.0	10
KKV PG 42 31.0-43.0	84221216	Silver	Pg 42	31.0 – 43.0	16.30	10.00	59.0	10
KKV PG 48 35.0-48.0	84221218	Silver	Pg 48	35.0 – 48.0	16.30	11.00	64.0	10

Type KV-ME (multi-insert)



PRODUCT INFORMATION

The KV-ME multi-insert can be used both in WKK cable fittings and in WKM cable fittings. The KV-ME multi-insert can be used to route several cables through one fitting. The fitted seal insert in the cable fitting is simply swapped for the KV-ME multi-insert during assembly. Please note that the cable diameter may be up to 20% less than the diameter of the hole, but must not under-shoot the hole diameter by less than 1 mm.

The KV-ME multi-inserts feature the following advantages:

- Variable
- More cables through one fitting
- High protection class

NOT suitable for the m-seal cable fittings.

SPECIFICATIONS

	-40 – 100 °C short term 120 °C
	Elastomer
	IP 65
	RoHS

Type	Order No.	No. Openings	Diameter mm	Suitable for metric	Suitable for Pg	Suitable for NPT	Pack qty.
KV-ME M16/Pg09-4x1.4	8358221000	4	1.40	M16x1,5	Pg 09	3/8"	50
KV-ME M16/Pg09-2x3	8358221200	2	3.00	M16x1,5	Pg 09	3/8"	50
KV-ME M20/Pg13.5-2x5	8358222000	2	5.00	M20x1.5	Pg 13.5	1/2"	50
KV-ME M20/Pg13.5-3x2	8358222200	3	2.00	M20x1.5	Pg 13.5	1/2"	50
KV-ME M20/Pg13.5-3x4	8358222400	3	4.00	M20x1.5	Pg 13.5	1/2"	50
KV-ME M20/Pg13.5-6x3	8358222600	6	3.00	M20x1.5	Pg 13.5	1/2"	50
KV-ME Pg11-2x3	8358221400	2	3.00		Pg 11		50
KV-ME Pg11-2x4	8358221600	2	4.00		Pg 11		50
KV-ME Pg11-3x3	8358221800	3	3.00		Pg 11		50
KV-ME Pg16-2x6	8358222800	2	6.00		Pg 16		50
KV-ME Pg16-3x3	8358223000	3	3.00		Pg 16		50
KV-ME Pg16-3x4	8358223200	3	4.00		Pg 16		50
KV-ME Pg16-3x5.6	8358223400	3	5.60		Pg 16		50
KV-ME Pg16-4x4	8358223600	4	4.00		Pg 16		50
KV-ME Pg16-5x4	8358223800	5	4.00		Pg 16		50
KV-ME Pg16-6x4	8358224000	6	4.00		Pg 16		50
KV-ME M25/Pg21-2x8	8358224200	2	8.00	M25x1.5	Pg 21	3/4"	50
KV-ME M25/Pg21-3x7	8358224400	3	7.00	M25x1.5	Pg 21	3/4"	50
KV-ME M25/Pg21-4x6	8358224600	4	6.00	M25x1.5	Pg 21	3/4"	50
KV-ME M32/Pg29-6x6.5	8358224800	6	6.50	M32x1.5	Pg 29		50
KV-ME M32/Pg29-4x9	8358225000	4	9.00	M32x1.5	Pg 29		25
KV-ME M40/Pg36 blind	8358228400			M40x1.5	Pg 36	1 1/2"	25

m-seal ME (multi-insert)



PRODUCT INFORMATION

The m-seal ME multi-insert is the perfect complement part to our m-seal cable fitting. The KV-ME multi-insert can be used to route several cables through one fitting. The fitted seal insert in the cable fitting is simply swapped for the ME multi-insert during assembly. Please note that the cable diameter may be up to 20% less than the diameter of the hole, but must not undershoot the hole diameter by less than 1 mm.

The m-seal ME multi-inserts feature the following advantages:

- Variable
- More cables through one fitting
- High protection class

NOT suitable for type WKK and type WKM cable fittings.

SPECIFICATIONS

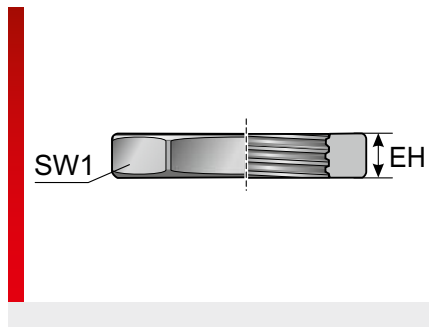
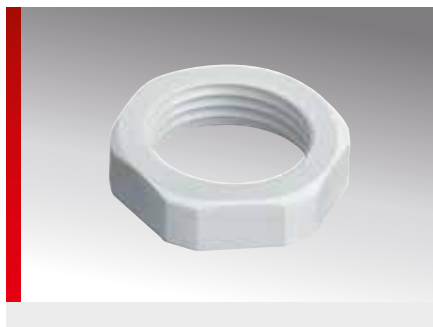
	-40 – 100 °C short term 120 °C
	Elastomer
	IP 65
	RoHS

Type	Order No.	No. Openings	Diameter mm	Suitable for metric	Suitable for Pg	Pack qty.
m-seal ME M20/PG13,5-2x5	84182020	2	5.00	M20x1.5	Pg 13.5	50
m-seal ME M20/PG13,5-2x6	84182022	2	6.00	M20x1.5	Pg 13.5	50
m-seal ME M20/PG13,5-3x4	84182024	3	4.00	M20x1.5	Pg 13.5	50
m-seal ME M20/PG13,5-3x5	84182026	3	5.00	M20x1.5	Pg 13.5	50
m-seal ME M20/PG13,5-4x4	84182028	4	4.00	M20x1.5	Pg 13.5	50
m-seal ME M25-Blind	83980251			M25x1.5		50
m-seal ME M25-1x4	83980252	2		M25x1.5		50
m-seal ME M25-2x6	84182030	2	6.00	M25x1.5		50
m-seal ME M25-4x5	84182034	4	5.00	M25x1.5		50
m-seal ME M25-6x4	84182036	6	4.00	M25x1.5		50
m-seal ME M25-3x7	84182032	3	7.00	M25x1.5		50
m-seal ME M32-2x8	84182040	2	8.00	M32x1.5		50
m-seal ME M32-2x9	84182041	2	9.00	M32x1.5		50
m-seal ME M32-3x8	84182042	3	8.00	M32x1.5		50
m-seal ME M32-4x6	84182043	4	6.00	M32x1.5		50
m-seal ME M32-4x7	84182044	4	7.00	M32x1.5		50
m-seal ME M32-5x6	84182045	5	6.00	M32x1.5		50
m-seal ME M32-8x5	84182046	8	5.00	M32x1.5		50
m-seal ME M32-9x4	84182047	9	4.00	M32x1.5		50
m-seal ME M40-2x10	84182050	2	10.00	M40x1.5		50
m-seal ME M40-3x10	84182051	3	10.00	M40x1.5		50
m-seal ME M40-4x8	84182052	4	8.00	M40x1.5		50
m-seal ME M40-5x9	84182053	5	9.00	M40x1.5		50
m-seal ME M40-6x7	84182054	6	7.00	M40x1.5		50
m-seal ME M40-8x6	84182055	8	6.00	M40x1.5		50
m-seal ME M40-9x7	84182056	9	7.00	M40x1.5		50



Accessories

Type KGM (plastic lock nut)



PRODUCT INFORMATION

The type KGM plastic lock nut is made of self-extinguishing polyamide and is available with metric or Pg thread. Usable for all corresponding conduit and cable fittings, preferably with plastic threads.

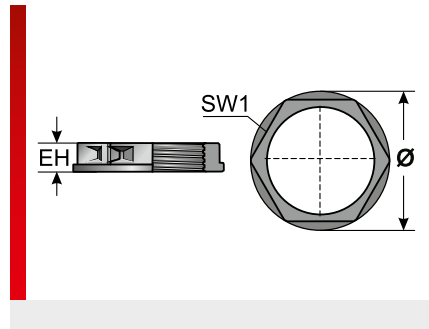
SPECIFICATIONS

- 30 – 100 °C short term 130 °C
- Mod. polyamide PA 6
- Acc. to UL94 V0 self-extinguishing



Type	Order No.	Colour	IG	EH mm	SW 1 mm	Pack qty.
Metric thread						
KGM-M12x1,5	83727250	Black	M12x1.5	5.00	17.00	100
KGM-M16x1.5	83727252	Black	M16x1,5	5.00	22.00	100
KGM-M20x1,5	83727254	Black	M20x1.5	6.00	26.00	100
KGM-M25x1.5	83727256	Black	M25x1.5	6.00	32.00	100
KGM-M32x1,5	83727258	Black	M32x1.5	7.00	41.00	100
KGM-M40x1,5	83727260	Black	M40x1.5	7.00	50.00	50
KGM-M50x1.5	83727262	Black	M50x1.5	8.00	60.00	50
KGM-M63x1,5	83727264	Black	M63x1.5	8.00	75.00	50
Grey variants						
KGM-M12x1,5	83727210	Grey	M12x1.5	5.00	17.00	100
KGM-M16x1.5	83727212	Grey	M16x1,5	5.00	22.00	100
KGM-M20x1,5	83727214	Grey	M20x1.5	6.00	26.00	100
KGM-M25x1.5	83727216	Grey	M25x1.5	6.00	32.00	100
KGM-M32x1,5	83727218	Grey	M32x1.5	7.00	41.00	100
KGM-M40x1,5	83727220	Grey	M40x1.5	7.00	50.00	50
KGM-M50x1.5	83727222	Grey	M50x1.5	8.00	60.00	50
KGM-M63x1,5	83727224	Grey	M63x1.5	8.00	75.00	50
Pg threads						
KGM-Pg 07	83722250	Black	Pg 07	5.00	19.00	100
KGM-Pg 09	83722252	Black	Pg 09	6.00	22.00	100
KGM-Pg 11	83722254	Black	Pg 11	6.00	24.00	100
KGM-Pg 13.5	83722256	Black	Pg 13.5	6.00	27.00	100
KGM-Pg 16	83722258	Black	Pg 16	6.00	30.00	100
KGM-Pg 21	83722260	Black	Pg 21	7.00	36.00	100
KGM-Pg 29	83722262	Black	Pg 29	7.00	46.00	50

Type GMT



PRODUCT INFORMATION

The GMT split lock nut is made of specially modified polyamide 6. The material is halogen, phosphor and cadmium-free. The lock nuts are used when cable protection conduits fitted with pre-assembled cables need to be fixed or cable protection conduits need to be retrofitted. The GMT is ideal for connecting to our split EWT cable protection conduits and all other Murrflex cable protection conduits.

Particular benefits of the split lock nuts include:

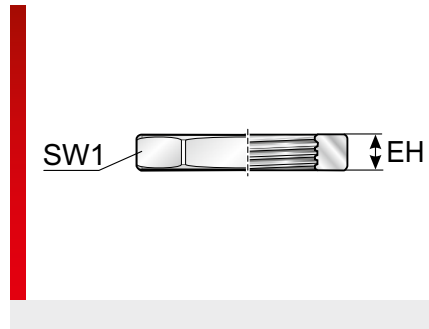
- Subsequent installation or repairs
- Perfect for use with the SVT split conduit fitting
- Very good system tear-out strength
- Compact design
- Easy assembly and disassembly

SPECIFICATIONS

	-30 – 100 °C short term 130 °C
	Mod. polyamide PA 6
	Acc. to UL94 V0 UL listed material

Type	Order No.	Colour	EH mm	SW 1 mm	Ø mm	Pack qty.
Divisible lock nut						
GMT M16x1,5	83651454	Black	10.00	26.00	30.00	50
GMT M20x1,5	83651456	Black	10.00	26.00	30.00	50
GMT M25x1,5	83651458	Black	10.00	28.00	32.00	50
GMT M32x1,5	83651460	Black	10.00	36.00	42.00	25
GMT M40x1,5	83651462	Black	12.00	46.00	52.00	25
GMT M50x1,5	83651464	Black	12.00	55.00	62.00	10
GMT M63x1,5	83651466	Black	12.00	70.00	79.00	10


Type GM (metal lock nut)





PRODUCT INFORMATION

The GM type lock nut is made of brass with nickel plating. It is available with metric or Pg thread and usable for all corresponding conduit and cable fittings, preferably with metal threads.

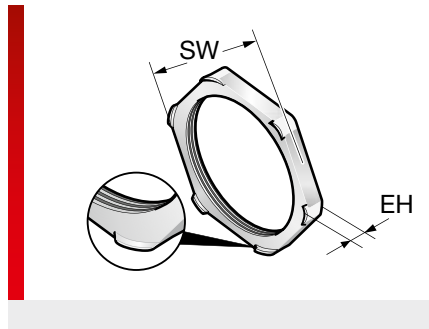
SPECIFICATIONS

 Nickel-plated brass

Type	Order No.	IG	EH mm	SW 1 mm	Pack qty.
Metric thread					
GM-M12x1,5	83727010	M12x1.5	2.80	15.00	100
GM-M16x1,5	83727012	M16x1,5	2.80	19.00	100
GM-M20x1,5	83727014	M20x1.5	3.00	24.00	100
GM-M25x1,5	83727016	M25x1.5	3.50	30.00	100
GM-M32x1,5	83727018	M32x1.5	4.50	36.00	100
GM-M40x1,5	83727020	M40x1.5	5.00	46.00	50
GM-M50x1,5	83727022	M50x1.5	5.00	60.00	50
GM-M63x1,5	83727024	M63x1.5	6.00	70.00	50
Pg threads					
GM-Pg 07	83722010	Pg 07	2.80	15.00	100
GM-Pg 09	83722012	Pg 09	2.80	18.00	100
GM-Pg 11	83722014	Pg 11	3.00	21.00	100
GM-Pg 13.5	83722016	Pg 13.5	3.00	23.00	100
GM-Pg 16	83722018	Pg 16	3.00	26.00	100
GM-Pg 21	83722020	Pg 21	3.50	32.00	100
GM-Pg 29	83722022	Pg 29	4.00	41.00	100
GM-Pg 36	83722024	Pg 36	5.00	51.00	50
GM-Pg 42	83722026	Pg 42	5.00	60.00	50
GM-Pg 48	83722028	Pg 48	5.50	64.00	50

Type GM EMV (metal lock nut for EMC applications)



PRODUCT INFORMATION

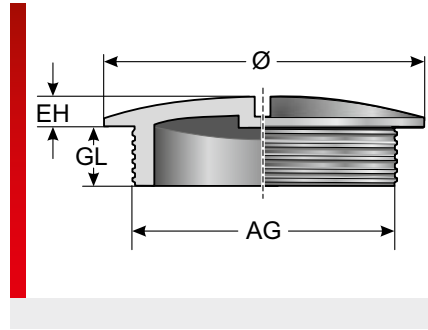
The GM EMV lock nut is available with a metric or Pg thread and has special cutting edges. These cutting edges are required to “cut through” the paint layers, for example on the control cabinet, ensuring optimum contact with the housing.

SPECIFICATIONS

Nickel-plated brass

Type	Order No.	IG	EH mm	SW mm	Pack qty.
Metric thread					
GM EMV M12x1,5	83727050	M12x1.5	3.30	15.00	100
GM EMV M16x1.5	83727052	M16x1,5	3.50	19.00	100
GM EMV M20x1,5	83727054	M20x1.5	3.60	24.00	100
GM EMV M25x1,5	83727056	M25x1.5	3.50	30.00	100
GM EMV M32x1,5	83727058	M32x1.5	4.00	36.00	50
GM EMV M40x1,5	83727060	M40x1.5	4.60	46.00	25
GM EMV M50x1,5	83727062	M50x1.5	5.50	60.00	10
GM EMV M63x1,5	83727064	M63x1.5	6.70	70.00	10
Pg threads					
GM EMV PG 07	83722050	Pg 07	3.30	16.50	100
GM EMV PG 09	83722052	Pg 09	3.30	18.00	100
GM EMV PG 11	83722054	Pg 11	3.50	21.00	100
GM EMV PG 13.5	83722056	Pg 13.5	3.50	23.00	100
GM EMV PG 16	83722058	Pg 16	3.50	26.00	100
GM EMV PG 21	83722060	Pg 21	4.00	32.00	100
GM EMV PG 29	83722062	Pg 29	4.60	41.00	50
GM EMV PG 36	83722064	Pg 36	5.60	51.00	25
GM EMV PG 42	83722066	Pg 42	5.60	60.00	10
GM EMV PG 48	83722068	Pg 48	6.10	64.00	10

Type BSTK (plastic dummy plug)



PRODUCT INFORMATION

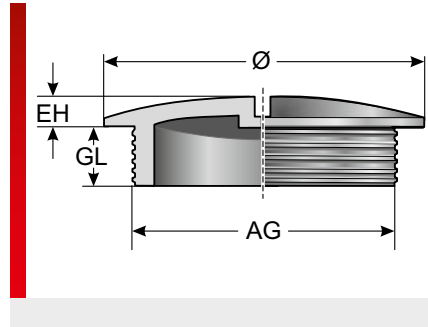
The type BSTK dummy plug is made of specially modified polyamide and is available with metric or Pg thread. For instance, it can be used as a temporarily filler for holes currently not needed in the control cabinet. IP 65 protection rating can be achieved using an additional type OR O-ring. (O-ring not included in the delivery)

SPECIFICATIONS

- 30 – 100 °C short term 130 °C
- Mod. polyamide PA 6
- Acc. to UL94 HB
- IP 54
- IP 65 with additional sealing ring, type OR

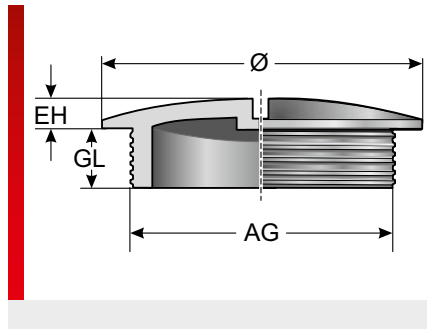
Type	Order No.	Colour	AG	EH mm	GL mm	Ø mm	Pack qty.
Metric thread							
BSTK-M12x1,5	83726450	Black	M12x1.5	3.00	6.00	15.00	100
BSTK-M16x1,5	83726452	Black	M16x1,5	3.50	6.00	20.00	100
BSTK-M20x1,5	83726454	Black	M20x1.5	4.00	6.00	24.00	100
BSTK-M25x1,5	83726456	Black	M25x1.5	4.50	8.00	30.00	100
BSTK-M32x1,5	83726458	Black	M32x1.5	4.50	8.00	37.00	100
BSTK-M40x1,5	83726460	Black	M40x1.5	5.50	8.00	46.00	50
BSTK-M50x1,5	83726462	Black	M50x1.5	5.50	10.00	56.00	50
BSTK-M63x1,5	83726464	Black	M63x1.5	4.50	12.00	70.00	50
Pg threads							
BSTK-Pg 07	83721410	Grey	Pg 07	1.50	6.00	15.00	100
BSTK-Pg 09	83721412	Grey	Pg 09	2.50	6.00	19.00	100
BSTK-Pg 11	83721414	Grey	Pg 11	3.00	6.00	22.00	100
BSTK-Pg 13.5	83721416	Grey	Pg 13.5	3.50	6.00	25.00	100
BSTK-Pg 16	83721418	Grey	Pg 16	3.50	6.00	27.00	100

Type BSTK (plastic dummy plug) (Continued...)



Type	Order No.	Colour	AG	EH mm	GL mm	Ø mm	Pack qty.
BSTK-Pg 21	83721420	Grey	Pg 21	3.50	8.00	33.00	100
BSTK-Pg 29	83721422	Grey	Pg 29	3.50	8.00	44.00	100
BSTK-Pg 36	83721424	Grey	Pg 36	5.00	10.00	55.00	50
BSTK-Pg 42	83721426	Grey	Pg 42	6.00	10.00	62.00	50
BSTK-Pg 48	83721428	Grey	Pg 48	5.00	12.00	69.00	50

Type BST (metal dummy plug)






PRODUCT INFORMATION

The type BST dummy plug is made of brass with nickel plating. It is available with metric or Pg thread and can be used as a temporary filler for holes currently not needed in the control cabinet.

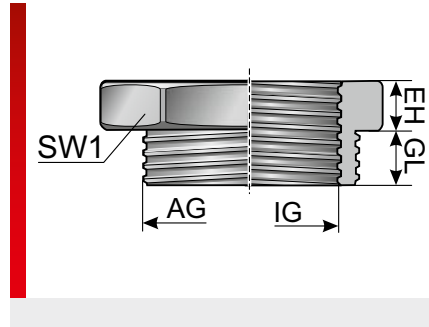
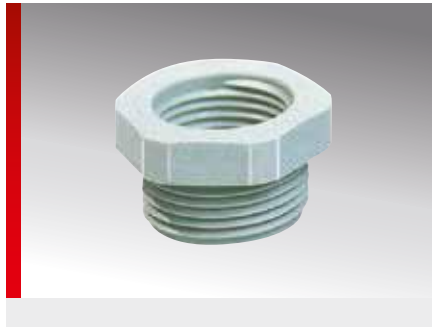
IP 65 protection rating can be achieved using an additional type OR O-ring. (O-ring is not included in the delivery)

SPECIFICATIONS

-  Nickel-plated brass
-  IP 54
IP 65 with additional sealing ring, type OR
-  RoHS

Type	Order No.	AG	EH mm	GL mm	Ø mm	Pack qty.
Metric thread						
BST-M12x1,5	83726210	M12x1.5	3.00	5.00	16.00	100
BST-M16x1.5	83726212	M16x1,5	3.00	6.00	20.00	100
BST-M20x1,5	83726214	M20x1.5	3.00	6.50	24.00	100
BST-M25x1,5	83726216	M25x1.5	3.50	7.00	28.00	100
BST-M32x1,5	83726218	M32x1.5	4.00	8.00	35.00	50
BST-M40x1,5	83726220	M40x1.5	4.00	8.00	45.00	50
BST-M50x1,5	83726222	M50x1.5	5.00	9.00	55.00	25
BST-M63x1,5	83726224	M63x1.5	6.00	10.00	68.00	10
Pg threads						
BST-Pg 07	83721210	Pg 07	3.00	5.00	14.00	100
BST-Pg 09	83721212	Pg 09	3.00	6.00	17.00	100
BST-Pg 11	83721214	Pg 11	3.00	6.00	20.00	100
BST-Pg 13.5	83721216	Pg 13.5	3.00	6.50	22.00	100
BST-Pg 16	83721218	Pg 16	3.50	6.50	24.00	100
BST-Pg 21	83721220	Pg 21	4.00	7.00	30.00	50
BST-Pg 29	83721222	Pg 29	4.00	8.00	39.00	50
BST-Pg 36	83721224	Pg 36	6.00	9.00	50.00	25
BST-Pg 42	83721226	Pg 42	6.00	10.00	57.00	25
BST-Pg 48	83721228	Pg 48	6.00	10.00	64.00	10

Type KRR (plastic reducing bush)



PRODUCT INFORMATION

The thread reducing bush is made of specially modified polyamide and is available with metric or Pg thread. They are to be used with an additional type OR O-ring. (O-ring is not included in the delivery)

SPECIFICATIONS

- 30 – 100 °C short term 130 °C
- Mod. polyamide PA 6
- Acc. to UL94 HB

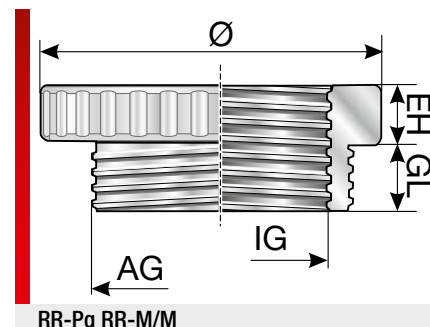
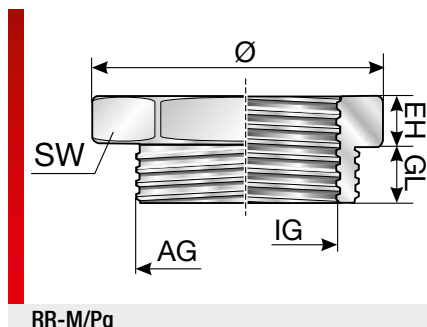
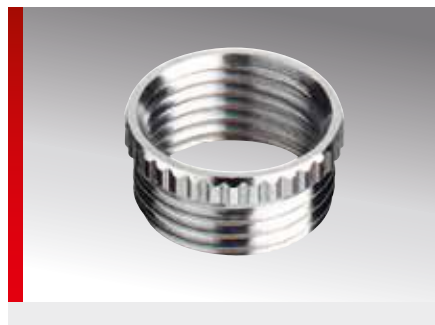
RoHS **HF**

Type	Order No.	Colour	AG	IG	EH mm	GL mm	SW 1 mm	Pack qty.
Metric / metric version								
KRR-M20/M12	83727450	Black	M20x1.5	M12x1.5	4.00	8.00	24.00	100
KRR-M20/M16	83727452	Black	M20x1.5	M16x1,5	4.00	8.00	24.00	100
KRR-M25/M12	83727454	Black	M25x1.5	M12x1.5	6.00	8.00	30.00	100
KRR-M25/M16	83727456	Black	M25x1.5	M16x1,5	6.00	8.00	30.00	100
KRR-M25/M20	83727458	Black	M25x1.5	M20x1.5	6.00	8.00	30.00	100
KRR-M32/M12	83727460	Black	M32x1.5	M12x1.5	6.00	10.00	36.00	50
KRR-M32/M16	83727462	Black	M32x1.5	M16x1,5	6.00	10.00	36.00	50
KRR-M32/M20	83727464	Black	M32x1.5	M20x1.5	6.00	10.00	36.00	50
KRR-M32/M25	83727466	Black	M32x1.5	M25x1.5	6.00	10.00	36.00	50
KRR-M40/M16	83727468	Black	M40x1.5	M16x1,5	6.00	10.00	46.00	50
KRR-M40/M20	83727470	Black	M40x1.5	M20x1.5	6.00	10.00	46.00	50
KRR-M40/M25	83727472	Black	M40x1.5	M25x1.5	6.00	10.00	46.00	50
KRR-M40/M32	83727474	Black	M40x1.5	M32x1.5	6.00	10.00	46.00	50
KRR-M50/M20	83727476	Black	M50x1.5	M20x1.5	6.00	12.00	55.00	25
KRR-M50/M25	83727478	Black	M50x1.5	M25x1.5	6.00	12.00	55.00	25
KRR-M50/M32	83727480	Black	M50x1.5	M32x1.5	6.00	12.00	55.00	25
KRR-M50/M40	83727482	Black	M50x1.5	M40x1.5	6.00	12.00	55.00	25
KRR-M63/M25	83727484	Black	M63x1.5	M25x1.5	6.00	12.00	68.00	25
KRR-M63/M32	83727486	Black	M63x1.5	M32x1.5	6.00	12.00	68.00	25
KRR-M63/M40	83727488	Black	M63x1.5	M40x1.5	6.00	12.00	68.00	25
KRR-M63/M50	83727490	Black	M63x1.5	M50x1.5	6.00	12.00	68.00	25
KRR-M20/M12	83727400	Grey	M20x1.5	M12x1.5	4.00	8.00	24.00	100
KRR-M20/M16	83727402	Grey	M20x1.5	M16x1,5	4.00	8.00	24.00	100
KRR-M25/M12	83727404	Grey	M25x1.5	M12x1.5	6.00	8.00	30.00	100
KRR-M25/M16	83727406	Grey	M25x1.5	M16x1,5	6.00	8.00	30.00	100

Type KRR (plastic reducing bush) (Continued...)

Type	Order No.	Colour	AG	IG	EH mm	GL mm	SW 1 mm	Pack qty.
KRR-M25/M20	83727408	Grey	M25x1.5	M20x1.5	6.00	8.00	30.00	100
KRR-M32/M12	83727410	Grey	M32x1.5	M12x1.5	6.00	10.00	36.00	50
KRR-M32/M16	83727412	Grey	M32x1.5	M16x1,5	6.00	10.00	36.00	50
KRR-M32/M20	83727414	Grey	M32x1.5	M20x1.5	6.00	10.00	36.00	50
KRR-M32/M25	83727416	Grey	M32x1.5	M25x1.5	6.00	10.00	36.00	100
KRR-M40/M16	83727418	Grey	M40x1.5	M16x1,5	6.00	10.00	46.00	50
KRR-M40/M20	83727420	Grey	M40x1.5	M20x1.5	6.00	10.00	46.00	50
KRR-M40/M25	83727422	Grey	M40x1.5	M25x1.5	6.00	10.00	46.00	50
KRR-M40/M32	83727424	Grey	M40x1.5	M32x1.5	6.00	10.00	46.00	50
KRR-M50/M20	83727426	Grey	M50x1.5	M20x1.5	6.00	12.00	55.00	25
KRR-M50/M25	83727428	Grey	M50x1.5	M25x1.5	6.00	12.00	55.00	25
KRR-M50/M32	83727430	Grey	M50x1.5	M32x1.5	6.00	12.00	55.00	25
KRR-M50/M40	83727432	Grey	M50x1.5	M40x1.5	6.00	12.00	55.00	25
KRR-M63/M25	83727434	Grey	M63x1.5	M25x1.5	6.00	12.00	68.00	25
KRR-M63/M32	83727436	Grey	M63x1.5	M32x1.5	6.00	12.00	68.00	25
KRR-M63/M40	83727438	Grey	M63x1.5	M40x1.5	6.00	12.00	68.00	25
KRR-M63/M50	83727440	Grey	M63x1.5	M50x1.5	6.00	12.00	68.00	25
Pg / Pg version								
KRR-Pg 11/07	83722410	Grey	Pg 11	Pg 07	6.00	8.00	22.00	100
KRR-Pg 11/09	83722412	Grey	Pg 11	Pg 09	15.00	8.00	22.00	100
KRR-Pg 13.5/07	83722414	Grey	Pg 13.5	Pg 07	6.00	9.00	24.00	100
KRR-Pg 13/09	83722416	Grey	Pg 13.5	Pg 09	6.00	9.00	24.00	100
KRR-Pg 13/11	83722420	Grey	Pg 13.5	Pg 11	15.00	9.00	24.00	100
KRR-Pg 16/09	83722418	Grey	Pg 16	Pg 09	6.00	10.00	27.00	100
KRR-Pg 16/11	83722422	Grey	Pg 16	Pg 11	6.00	10.00	27.00	100
KRR-Pg 16/13.5	83722424	Grey	Pg 16	Pg 13.5	17.00	10.00	27.00	100
KRR-Pg 21/11	83722426	Grey	Pg 21	Pg 11	5.00	11.00	32.00	100
KRR-Pg 21/13.5	83722428	Grey	Pg 21	Pg 13.5	5.00	11.00	32.00	100
KRR-Pg 21/16	83722430	Grey	Pg 21	Pg 16	5.00	11.00	32.00	100
KRR-Pg 29/13	83722432	Grey	Pg 29	Pg 13	6.00	11.00	40.00	50
KRR-Pg 29/16	83722434	Grey	Pg 29	Pg 16	6.00	11.00	40.00	50
KRR-Pg 29/21	83722436	Grey	Pg 29	Pg 21	6.00	11.00	40.00	50
KRR-Pg 36/16	83722438	Grey	Pg 36	Pg 16	6.00	13.00	50.00	50
KRR-Pg 36/21	83722440	Grey	Pg 36	Pg 21	6.00	13.00	50.00	50
KRR-Pg 36/29	83722442	Grey	Pg 36	Pg 29	6.00	18.00	50.00	50
KRR-Pg 42/21	83722444	Grey	Pg 42	Pg 21	6.00	18.00	55.00	25
KRR-Pg 42/29	83722446	Grey	Pg 42	Pg 29	6.00	18.00	55.00	25
KRR-Pg 42/36	83722448	Grey	Pg 42	Pg 36	6.00	18.00	55.00	25
KRR-Pg 48/29	83722450	Grey	Pg 48	Pg 29	6.00	15.00	60.00	25
KRR-Pg 48/36	83722452	Grey	Pg 48	Pg 36	7.00	16.00	60.00	25

Type RR (metal reducing bush)



PRODUCT INFORMATION

The type RR thread reducing bush is made of brass with nickel plating. It is available with metric or Pg thread and depending on the type, as a knurled or hexagon version. The following versions of the thread reducing bush are available:

- Metric/metric
- Metric/Pg
- Pg/Pg

SPECIFICATIONS



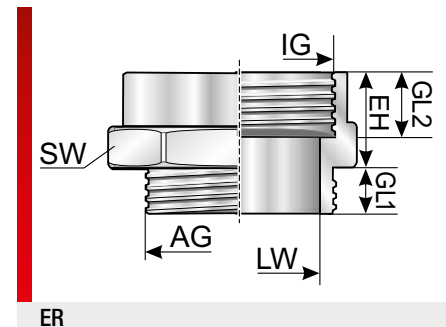
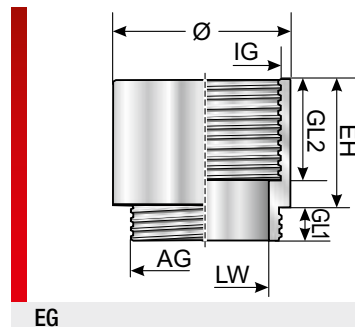
Nickel-plated brass



RoHS

Type	Order No.	Colour	AG	IG	EH mm	GL mm	SW mm	Ø mm	Pack qty.
Metric / metric version (without O-ring)									
RR-M16/M12	83727610	Silver	M16x1,5	M12x1.5	2.50	6.00	18.00	100	
RR-M20/M12	83727612	Silver	M20x1.5	M12x1.5	2.50	6.50	22.00	100	
RR-M20/M16	83727614	Silver	M20x1.5	M16x1,5	2.50	6.50	22.00	100	
RR-M25/M16	83727616	Silver	M25x1.5	M16x1,5	3.00	7.00	27.00	100	
RR-M25/M20	83727618	Silver	M25x1.5	M20x1.5	3.00	7.00	27.00	100	
RR-M32/M20	83727620	Silver	M32x1.5	M20x1.5	3.50	8.00	34.00	50	
RR-M32/M25	83727622	Silver	M32x1.5	M25x1.5	3.50	8.00	34.00	50	
RR-M40/M25	83727624	Silver	M40x1.5	M25x1.5	3.50	9.00	43.00	25	
RR-M40/M32	83727626	Silver	M40x1.5	M32x1.5	3.50	9.00	43.00	25	
RR-M50/M32	83727628	Silver	M50x1.5	M32x1.5	4.00	10.00	53.00	25	
RR-M50/M40	83727630	Silver	M50x1.5	M40x1.5	4.00	10.00	53.00	10	
RR-M63/M40	83727632	Silver	M63x1.5	M40x1.5	4.00	10.00	66.00	10	
RR-M63/M50	83727634	Silver	M63x1.5	M50x1.5	4.00	10.00	66.00	10	
Metric / Pg version (with O-ring on external thread)									
RR-M16/Pg7	83727810	Silver	M16x1,5	Pg 07	3.00	5.00	17.00	100	
RR-M20/Pg9	83727812	Silver	M20x1.5	Pg 09	3.00	6.00	22.00	100	
RR-M25/Pg9	83727814	Silver	M25x1.5	Pg 09	3.00	7.00	27.00	100	
RR-M25/Pg11	83727816	Silver	M25x1.5	Pg 11	3.00	7.00	27.00	100	
RR-M25/Pg13,5	83727818	Silver	M25x1.5	Pg 13.5	3.00	7.00	27.00	100	
RR-M32/Pg13,5	83727820	Silver	M32x1.5	Pg 13.5	3.00	8.00	34.00	50	
RR-M32/Pg16	83727822	Silver	M32x1.5	Pg 16	3.00	8.00	34.00	50	
RR-M32/Pg21	83727824	Silver	M32x1.5	Pg 21	3.00	8.00	34.00	50	
RR-M40/Pg16	83727826	Silver	M40x1.5	Pg 16	4.00	8.00	43.00	25	
RR-M40/Pg21	83727828	Silver	M40x1.5	Pg 21	4.00	8.00	43.00	25	
RR-M40/Pg29	83727830	Silver	M40x1.5	Pg 29	4.00	8.00	43.00	25	
RR-M50/Pg21	83727832	Silver	M50x1.5	Pg 21	4.00	9.00	55.00	25	

Type ER/EG (metal extension)



PRODUCT INFORMATION

The type ER/EG thread extension bush is made of brass with nickel plating. They are available with metric or Pg thread and depending on the type, as a round or hexagon version. The thread extension bush fittings are in part already equipped with an O-ring on the external thread (see identification).

The following versions of the thread extension bush are available:

- Metric/metric
- Metric/Pg
- Pg/Pg

SPECIFICATIONS



Nickel-plated brass



RoHS

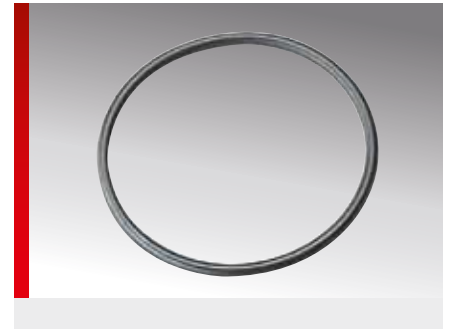
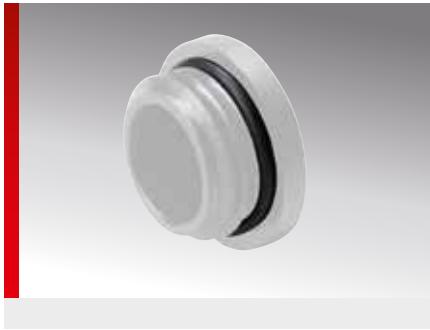
Type	Order No.	AG	IG	EH mm	GL 1 mm	GL 2 mm	Ø mm	SW 1 mm	Pack qty.
Metric / metric version									
ER-M12/M16	83728010	M12x1.5	M16x1,5	10.00	5.00	9.00		18.00	100
ER-M16/M20	83728012	M16x1,5	M20x1.5	10.50	5.00	9.50		22.00	100
ER-M20/M25	83728014	M20x1.5	M25x1.5	11.50	6.00	10.50		27.00	50
ER-M25/M32	83728016	M25x1.5	M32x1.5	12.50	7.00	11.00		34.00	25
ER-M32/M40	83728018	M32x1.5	M40x1.5	14.50	8.00	13.00		42.00	10
ER-M40/M50	83728020	M40x1.5	M50x1.5	19.50	8.00	18.00		52.00	10
ER-M50/M63	83728022	M50x1.5	M63x1.5	22.00	9.00	20.00		65.00	10
Metric / Pg version									
EG-M12/Pg 09	83726810	M12x1.5	Pg 09	10.00	5.00	9.00	17.00		100
EG-M16/Pg 11	83726812	M16x1,5	Pg 11	10.50	5.00	9.50	20.00		100
EG-M20/Pg 16 ¹⁾	83726814	M20x1.5	Pg 16	12.50	6.00	10.50	24.00		100
EG-M25/Pg 21	83726816	M25x1.5	Pg 21	14.50	7.00	11.00	30.00		100
EG-M32/Pg 29 ¹⁾	83726818	M32x1.5	Pg 29	22.00	8.00	13.00	39.00		50
EG-M40/Pg 36 ¹⁾	83726820	M40x1.5	Pg 36	19.50	8.00	18.00	50.00		50
EG-M50/Pg 42 ¹⁾	83726822	M50x1.5	Pg 42	22.00	9.00	20.00	57.00		25
EG-M50/Pg 48 ¹⁾	83726824	M50x1.5	Pg 48	23.00	9.00	20.00	64.00		25
Pg / Pg version									
EG-Pg 07/09	83721810	Pg 07	Pg 09	10.00	5.00	9.00	17.00		100
EG-Pg 09/11	83721812	Pg 09	Pg 11	10.50	6.00	9.50	20.00		100
EG-Pg 09/13.5	83721814	Pg 09	Pg 13.5	10.50	6.00	10.50	22.00		100
EG-Pg 11/13.5	83721816	Pg 11	Pg 13.5	11.50	6.00	10.50	22.00		100
EG-Pg 11/16	83721818	Pg 11	Pg 16	11.50	6.00	11.00	24.00		100
EG-Pg 13.5/16	83721820	Pg 13.5	Pg 16	13.50	6.50	11.00	24.00		100
EG-Pg 16/21	83721822	Pg 16	Pg 21	15.50	6.50	13.00	30.00		100
EG-Pg 21/29	83721824	Pg 21	Pg 29	16.00	7.00	14.50	39.00		50

Type ER/EG (metal extension) (Continued...)

Type	Order No.	AG	IG	EH mm	GL 1 mm	GL 2 mm	Ø mm	SW 1 mm	Pack qty.
EG-Pg 29/36	83721826	Pg 29	Pg 36	19.50	8.00	18.00	50.00		25
EG-Pg 36/42	83721828	Pg 36	Pg 42	22.00	9.00	20.00	50.00		10
EG-Pg 42/48	83721830	Pg 42	Pg 48	23.00	10.00	21.00	64.00		10
Pg / metric version									
ER-Pg 07/M12	83728210	Pg 07	M12x1.5	10.00	5.00	7.50		14.00	100
ER-Pg 09/M16	83728212	Pg 09	M16x1,5	10.00	6.00	7.50		19.00	100
ER-Pg 11/M16	83728214	Pg 11	M16x1,5	10.00	6.00	7.50		22.00	100
ER-Pg 13.5/M20	83728216	Pg 13.5	M20x1.5	11.00	6.50	8.50		24.00	100
ER-Pg 16/M20	83728218	Pg 16	M20x1.5	11.00	6.50	8.50		27.00	100
ER-Pg 16/M25	83728220	Pg 16	M25x1.5	12.00	6.50	9.50		30.00	100
ER-Pg 21/M25	83728222	Pg 21	M25x1.5	12.00	7.00	9.50		32.00	100
ER-Pg 21/M32	83728224	Pg 21	M32x1.5	13.00	7.00	10.50		36.00	100
ER-Pg 29/M40	83728226	Pg 29	M40x1.5	13.00	8.00	11.00		43.00	50
ER-Pg 36/M50	83728228	Pg 36	M50x1.5	14.00	9.00	11.50		55.00	25

¹⁾ with O-ring on external thread

Type OR-NBR (O-ring)




PRODUCT INFORMATION

The type OR-NBR O-ring is manufactured from NBR and serves to seal off threaded connections for higher protection classes, i.e. at threaded cable fittings.

The O-rings can be used for the following thread types, according to size:

- Metric
- Pg
- NPT

SPECIFICATIONS

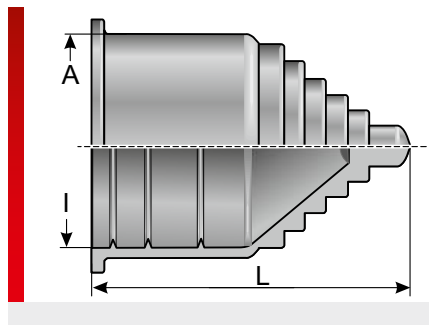
 -25 – 120 °C

 NBR

Type	Order No.	Suitable for metric	Suitable for Pg	Suitable for NPT	Pack qty.
OR-NBR 10x1.5	83481210	M12x1.5	Pg 07		100
OR-NBR 12x1.5	83481212	M16x1,5	Pg 09		100
OR-NBR 13x2	83481214			3/8"	100
OR-NBR 16x1,5	83481216		Pg 11		100
OR-NBR 17x1.8	83481218	M20x1.5	Pg 13.5		100
OR-NBR 18x1.5	83481220		Pg 16		100
OR-NBR 19x1,8	83481222			1/2"	100
OR-NBR 22x2	83481224	M25x1.5		3/4"	100
OR-NBR 26x2	83481226		Pg 21		100
OR-NBR 29x2	83481228	M32x1.5		1"	100
OR-NBR 33x2	83481230		Pg 29		50
OR-NBR 35x2	83481232	M40x1.5			50
OR-NBR 43x2	83481234	M50x1.5	Pg 36		50
OR-NBR 50x2	83481236		Pg 42		50
OR-NBR 55x2	83481238	M63x1.5	Pg 48		50

Type ET-EN (end grommet)



PRODUCT INFORMATION

The type ET end grommet is made of TPE and is used, for example, to close off the open end of a protective conduit, or as centring device for exiting cables. The end grommet features the following advantages:

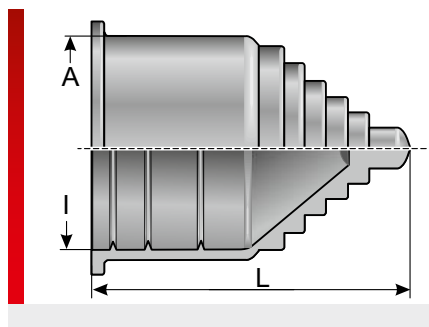
- Opening of end grommet variable (depending on the cable diameter used)
- Easy assembly
- Fixing of end grommet to the cable protection conduit using ribs running round the inside
- Approved for railway technology (EN 45545-2)

SPECIFICATIONS

- 40 – 100 °C short term 120 °C
- Thermoplastic elastomer
- Acc. to UL94 V0 self-extinguishing
- IP 67

Type	Order No.	Colour	A mm	I mm	L mm	Cable Ø mm	Pack qty.
ET-EN P07 end grommet, sw	83723480	Black	13.00	10.00	29.00	1.0 / 8.0	50
ET-EN P09 end grommet, sw	83723482	Black	16.00	13.00	32.50	1.0 / 10.0	50
ET-EN P11 end grommet, sw	83723484	Black	19.00	15.80	36.50	4.0 / 12.0	50
ET-EN P16 end grommet, sw	83723486	Black	25.00	21.20	37.50	6.0 / 16.5	50
ET-EN P21 end grommet, sw	83723488	Black	32.00	28.50	40.20	6.0 / 23.0	25
ET-EN P36 end grommet, sw	83723492	Black	46.00	42.50	46.00	10.0 / 37.0	25
ET-EN P48 end grommet, sw	83723494	Black	59.00	54.50	52.00	10.0 / 47.0	10

Type ET (end grommet)



PRODUCT INFORMATION

The type ET end grommet is made of TPE and is used, for example, to close off the open end of a protective conduit, or as centring device for exiting cables. The end grommet features the following advantages:

- Opening of end grommet variable (depending on the cable diameter used)
- Easy assembly
- Fixing of end grommet to the cable protection conduit using ribs running round the inside

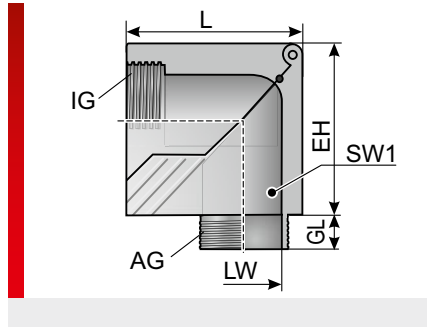
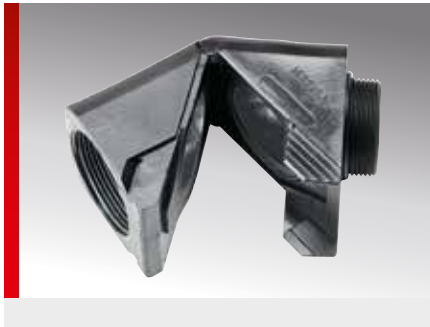
SPECIFICATIONS

- 40 – 100 °C short term 120 °C
- Thermoplastic elastomer
- Acc. to UL94 HB
- IP 67

RoHS **HF**

Type	Order No.	Colour	Suitable for Murrflex	A mm	I mm	L mm	Cable Ø mm	Pack qty.
ET 07	83723450	Black	Pg06 ; M10/P7	13.00	10.00	29.00	1.0 / 8.0	50
ET 09	83723452	Black	M12/P9	16.00	13.00	32.50	1.0 / 10.0	50
ET 11	83723454	Black	M16/P11	19.00	15.80	36.50	4.0 / 12.0	50
ET 16	83723456	Black	M20/P16(S)	25.00	21.20	37.50	6.0 / 16.5	50
ET 21	83723458	Black	M25/P21(S)	32.00	28.50	40.20	6.0 / 23.0	25
ET 29	83723460	Black	M32/P29(S)	39.00	34.50	44.20	6.0 / 29.0	25
ET 36	83723462	Black	M40/P36(S)	46.00	42.50	46.00	10.0 / 37.0	25
ET 48	83723464	Black	M50/P48(S)	59.00	54.50	52.00	10.0 / 47.0	10
ET 07	83723410	Grey	Pg06 ; M10/P7	13.00	10.00	29.00	1.0 / 8.0	50
ET 09	83723412	Grey	M12/P9	16.00	13.00	32.50	1.0 / 10.0	50
ET 11	83723414	Grey	M16/P11	19.00	15.80	36.50	4.0 / 12.0	50
ET 16	83723416	Grey	M20/P16(S)	25.00	21.20	37.50	6.0 / 16.5	50
ET 21	83723418	Grey	M25/P21(S)	32.00	28.50	40.20	6.0 / 23.0	25
ET 29	83723420	Grey	M32/P29(S)	39.00	34.50	44.20	6.0 / 29.0	25
ET 36	83723422	Grey	M40/P36(S)	46.00	42.50	46.00	10.0 / 37.0	25
ET 48	83723424	Grey	M50/P48(S)	59.00	54.50	52.00	10.0 / 47.0	10

Type KAW (plastic connection angle)



PRODUCT INFORMATION

The KAW 90° plastic connection angle is a foldable angle connection, made of specially modified polyamide. It can be combined in any way with cable fittings or conduit fittings. The connection angle features the following advantages:

- Easy cable insertion
- High degree of protection (IP 68)
- Easy assembly
- Folds open
- Wide range of connection options
- Includes seal on connecting thread

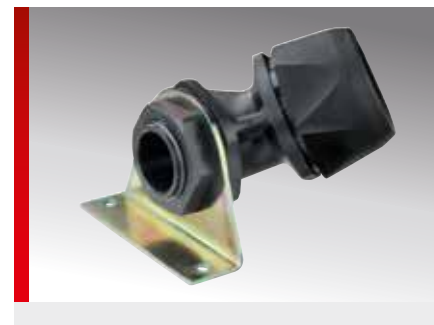
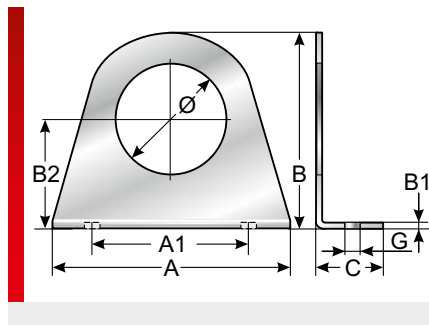
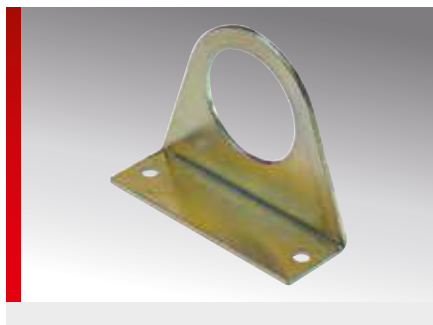
SPECIFICATIONS

- 20 – 80 °C
- Mod. polyamide PA 6
NBR
- Acc. to UL94 V0 self-extinguishing
- IP 68

RoHS
 HF

Type	Order No.	Colour	AG	IG	EH mm	GL mm	L mm	LW mm	SW 1 mm	Pack qty.
Metric thread										
KAW-M 16x1.5	83661650	Black	M16x1,5	Pg 09	23.00	8.00	28.50	10.00	19.00	25
KAW-M 20x1.5	83661652	Black	M20x1.5	Pg 13.5	30.50	9.00	35.00	13.50	24.00	25
KAW-M 25x1.5	83661654	Black	M25x1.5	Pg 21	40.00	11.00	49.00	19.50	33.00	25
KAW-M 32x1.5	83661656	Black	M32x1.5	Pg 29	51.50	11.00	60.00	27.00	42.00	10
Pg threads										
KAW-Pg 09	83661050	Black	Pg 09	Pg 09	23.00	8.00	28.50	10.00	19.00	25
KAW-Pg 11	83661052	Black	Pg 11	Pg 11	27.00	8.00	31.50	12.00	22.00	25
KAW-Pg 13.5	83661054	Black	Pg 13.5	Pg 13.5	30.50	9.00	35.00	13.50	24.00	25
KAW-Pg 16	83661056	Black	Pg 16	Pg 16	32.50	10.00	37.50	16.00	27.00	25
KAW-Pg 21	83661058	Black	Pg 21	Pg 21	40.00	11.00	49.00	20.00	33.00	25
KAW-Pg 29	83661060	Black	Pg 29	Pg 29	51.50	11.00	60.00	27.00	42.00	10
Grey threads										
KAW-Pg 09	83661012	Grey	Pg 09	Pg 09	23.00	8.00	28.50	10.00	19.00	25
KAW-Pg 11	83661014	Grey	Pg 11	Pg 11	27.00	8.00	31.50	12.00	22.00	25
KAW-Pg 13.5	83661016	Grey	Pg 13.5	Pg 13.5	30.50	9.00	35.00	13.50	24.00	25
KAW-Pg 16	83661018	Grey	Pg 16	Pg 16	32.50	10.00	37.50	16.00	27.00	25
KAW-Pg 21	83661020	Grey	Pg 21	Pg 21	40.00	11.00	49.00	20.00	33.00	25
KAW-Pg 29	83661022	Grey	Pg 29	Pg 29	51.50	11.00	60.00	27.00	42.00	10

Type BWM (Fastening bracket)



PRODUCT INFORMATION

The type BWM fastening bracket is made of sheet steel with zinc plating. It is used as a universal holder for fastening fittings to equipment and machinery. The fastening bracket features the following advantages:

- Quick and easy fastening
- For Pg and metric fittings
- Fastening of fitting secured with lock nut

SPECIFICATIONS

Galvanised sheet steel

RoHS

Type	Order No.	Suitable for Thread	A mm	B mm	C mm	G mm	A1 mm	B1 mm	Ø mm	Pack qty.
For metric threading										
BWM-M12x1,5	83721660	M12x1.5	35.00	31.50	12.00	4.00	25.00	1.50	12.40	25
BWM-M16x1.5	83721662	M16x1,5	50.00	31.50	12.00	4.00	40.00	1.50	16.40	25
BWM-M20x1,5	83721664	M20x1.5	50.00	37.50	20.00	4.00	40.00	2.00	20.50	25
BWM-M25x1,5	83721666	M25x1.5	60.00	47.50	20.00	4.00	50.00	2.00	25.50	25
BWM-M32x1,5	83721668	M32x1.5	70.00	57.50	20.00	4.00	60.00	2.00	32.50	25
BWM-M40x1,5	83721670	M40x1.5	80.00	68.50	20.00	4.00	70.00	2.00	40.50	25
BWM-M50x1,5	83721672	M50x1.5	90.00	81.00	20.00	4.00	80.00	2.00	51.00	25
For PG threading										
BWM 09	83721610	Pg 09	35.00	31.50	12.00	4.00	25.00	1.50	15.30	25
BWM 11	83721612	Pg 11	35.00	31.50	12.00	4.00	25.00	1.50	18.80	25
BWM 16	83721614	Pg 16	50.00	38.00	20.00	4.00	40.00	2.00	23.00	25
BWM 21	83721616	Pg 21	60.00	47.50	20.00	4.00	50.00	2.00	28.50	25
BWM 29	83721618	Pg 29	70.00	57.30	20.00	4.00	60.00	2.00	37.50	25
BWM 36	83721620	Pg 36	80.00	67.80	20.00	4.00	70.00	2.00	47.50	25
BWM 48	83721622	Pg 48	90.00	80.50	20.00	4.00	80.00	2.00	60.00	25

Type SS (conduit clamp)



PRODUCT INFORMATION

The type SS conduit clamps are made of sheet steel with zinc plating. They are used for fixing or securing the protective conduits.

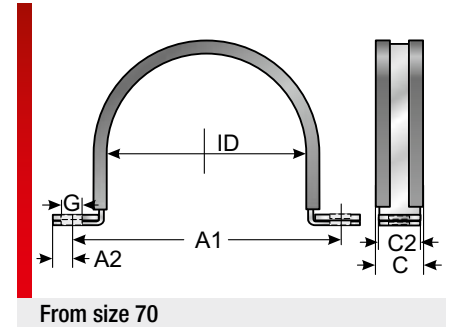
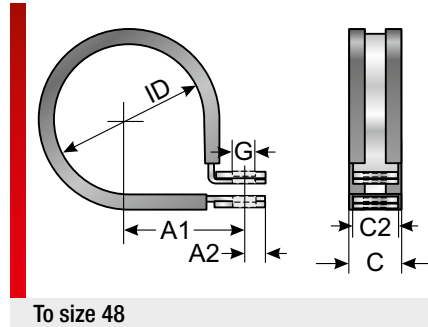
SPECIFICATIONS



Galvanised sheet steel

Type	Order No.	Clamping range mm	Width mm	Pack qty.
SS 15	83721010	8.0 – 16.0	9.00	100
SS 19	83721012	12.0 – 22.0	9.00	100
SS 26	83721014	16.0 – 27.0	9.00	100
SS 32	83721016	20.0 – 32.0	9.00	100
SS 38	83721018	25.0 – 40.0	9.00	50
SS 47	83721020	35.0 – 50.0	12.00	50
SS 57	83721022	40.0 – 60.0	12.00	50
SS 70	83721024	50.0 – 70.0	12.00	25
SS 78	83721026	70.0 – 90.0	12.00	25

Type SSG (conduit clamp)



PRODUCT INFORMATION

The type SSG conduit clamp is made of sheet steel, with a zinc plated surface and is partially covered with a halogen-free elastomer. The SSG are used for easy fixing or securing of cable protection conduits and distinguish themselves with the following

advantages:

- Quick and easy assembly
- The elastomer cover prevents damage to the protective conduits
- Suitable for all cable protection conduits

SPECIFICATIONS



-40 – 120 °C



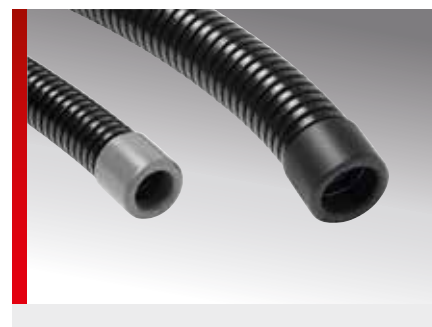
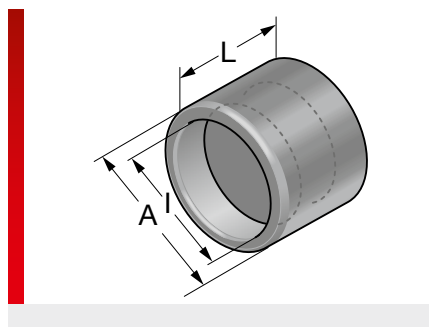
Galvanised sheet steel
EPDM



RoHS

Type	Order No.	C mm	G mm	ID mm	A1 mm	A2 mm	C2 mm	Pack qty.
SSG 06/M5	83723210	15.00	5.30	10.00	13.00	5.00	12.00	25
SSG 06/M6	83723211	18.50	6.40	10.00	16.20	6.00	15.00	25
SSG 07/M5	83723212	15.00	5.30	12.00	14.00	5.00	12.00	25
SSG 07/M6	83723213	18.50	6.40	12.00	17.20	6.00	15.00	25
SSG 09/M5	83723214	15.00	5.30	13.00	14.50	5.00	12.00	25
SSG 09/M6	83723215	18.50	6.40	13.00	17.70	6.00	15.00	25
SSG 11/M5	83723216	15.00	5.30	15.00	15.50	5.00	12.00	25
SSG 11/M6	83723217	18.50	6.40	15.00	18.70	6.00	15.00	25
SSG 16/M5	83723218	15.00	5.30	21.00	18.50	5.00	12.00	25
SSG 16/M6	83723219	18.50	6.40	21.00	21.70	6.00	15.00	25
SSG 21/M6	83723222	18.50	6.40	28.00	25.20	6.00	15.00	25
SSG 29/M6	83723224	18.50	6.40	34.00	28.20	6.00	15.00	25
SSG 36/M8	83723226	25.00	8.40	40.00	34.50	8.50	20.00	10
SSG 48/M6	83723228	18.50	6.40	54.00	38.20	6.00	15.00	10
SSG 70/M8	83723230	24.50	8.40	78.00	107.00	8.50	20.00	10
SSG 95/M8	83723232	24.50	8.40	105.00	134.00	8.50	20.00	10


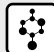

End cap



PRODUCT INFORMATION

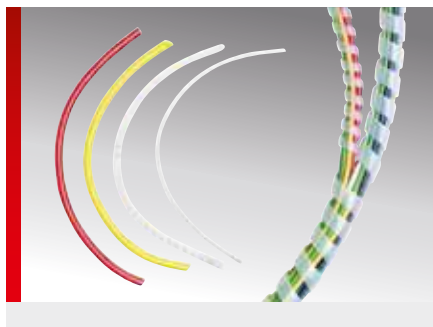
The type EK end cap is made of specially modified polyamide and mounted on the ends of the cable protection conduits. The end cap is designed as an edge protector so that exiting cables cannot be damaged and the visual effect of the installation is improved.

SPECIFICATIONS

-  -40 – 115 °C short term 150 °C
 -  Mod. polyamide PA 6
 -  Acc. to UL94 V2 self-extinguishing
- RoHS

Type	Order No.	Colour	Suitable for Murrflex	A mm	I mm	L mm	Pack qty.
EK-M12/P9	83723552	Black	M12/P9	15.00	7.80	21.00	50
EK-M16/P11	83723554	Black	M16/P11	17.80	10.30	20.00	50
EK-M20/P16	83723556	Black	M20/P16(S)	23.20	14.30	21.00	50
EK-M25/P21	83723558	Black	M25/P21(S)	30.50	20.80	22.00	25
EK-M32/P29	83723560	Black	M32/P29(S)	36.50	26.80	22.00	25
EK-M40/P36	83723562	Black	M40/P36(S)	44.50	33.80	25.00	25
EK-M50/P48	83723564	Black	M50/P48(S)	56.50	45.80	25.00	10
EK-M12/P9	83723512	Grey	M12/P9	15.00	7.80	21.00	50
EK-M16/P11	83723514	Grey	M16/P11	17.80	10.30	20.00	50
EK-M20/P16	83723516	Grey	M20/P16(S)	23.20	14.30	21.00	50
EK-M25/P21	83723518	Grey	M25/P21(S)	30.50	20.80	22.00	25
EK-M32/P29	83723520	Grey	M32/P29(S)	36.50	26.80	22.00	25
EK-M40/P36	83723522	Grey	M40/P36(S)	44.50	33.80	25.00	25
EK-M50/P48	83723524	Grey	M50/P48(S)	56.50	45.80	25.00	10

Type SB/SBF (Spiral tape)


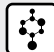



PRODUCT INFORMATION

Spiral tapes are used to bundle cable harnesses efficiently and simply. The spiral tapes also protect the insulation of the wires. Branches of single wires or looms of cables may be made at any place. Bundling in the range from 2 - 100 mm is possible with just three sizes.

The SBF consists of flame-retardant material.

SPECIFICATIONS

-  -10 – 40 °C short term 60 °C
-  Mod. polyethylene
-  Acc. to UL94 HB for Type SB only
Acc. to UL94 V2 for Type SBF only

RoHS

HF

Type	Order No.	Colour	Bundle range mm	inside mm	external mm	Weight kg/100m	Pack qty.
SB 12	87621010	Natural colour	2.0 – 12.0	1.50	3.00	0.4	50
SB 50	87621012	Natural colour	5.0 – 50.0	4.00	6.00	1.5	100
SB 100	87621014	Natural colour	12.0 – 100.0	9.00	12.00	4.8	50
SB 50	87621022	Black	5.0 – 50.0	4.00	6.00	1.5	100
SB 100	87621024	Black	12.0 – 100.0	9.00	12.00	1.5	50
SB 50	87621210	Yellow	5.0 – 50.0	4.00	6.00	1.5	100
SB 100	87621212	Yellow	12.0 – 100.0	9.00	12.00	2.8	50
SB 50	87621250	Orange	5.0 – 50.0	4.00	6.00	1.5	100
SB 100	87621252	Orange	12.0 – 100.0	9.00	12.00	2.8	50
Flame-retardant version (fire classification acc. to UL94: V0) V2)							
SBF 12	87621050	White	2.0 – 10.0	1.50	3.00	0.3	50
SBF 50	87621052	White	5.0 – 40.0	4.00	6.00	1.4	25
SBF 100	87621054	White	11.0 – 55.0	9.00	12.00	4.8	25

Type SBX (Spiral tape)



PRODUCT INFORMATION

The SBX type cable tapes are manufactured from modified PVC and are used for the protection and bundling of large cable harnesses or hydraulic hoses.

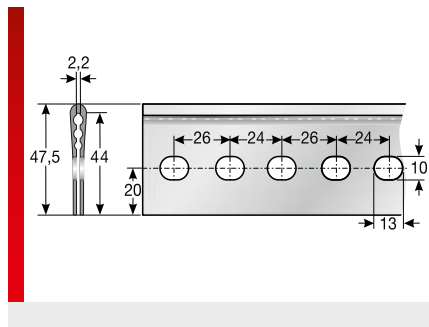
Based on the outstanding abrasion resistance and excellent fire resistance, the SBX is very suitable for use with heavy machinery and mining, as well as for commercial vehicles.

SPECIFICATIONS

- 10 – 60 °C short term 70 °C
- Polyvinyl chloride (PVC)
- Acc. to UL94 V0
-

Type	Order No.	Colour	Bundle range mm	inside mm	external mm	Weight kg/100m	Pack qty.
SBX 16	87621604	Black	16.0 – 26.0	16.00	19.50	10.0	20
SBX 20	87621606	Black	20.0 – 27.0	20.00	24.20	17.0	20
SBX 34,5	87621614	Black	35.0 – 60.0	34.50	40.00	42.0	20

Edge protection profile



PRODUCT INFORMATION

The KSP 47.5 edge protection profile is manufactured of specially modified thermoplastic rubber. Materials are self-extinguishing, halogen-free and tested according to EN 45545-2 standards.

Exceptional mechanical properties characterise the edge protection profile, it is abrasion-proof and fixed on a pre-set hole pattern.

SPECIFICATIONS

- 10 – 85 °C
- Thermoplastic elastomer
- Acc. to UL94 V0 UL94

Type	Order No.	Colour	Pack m
Edge protection profile 47,5 mm ¹⁾	83980105	Black	25

¹⁾ Shore hardness A 78



Tools

Type Tube-Cut (Conduit knife for cable protection conduits)



Tube-Cut/Z



Tube-Cut/D

PRODUCT INFORMATION

The Tube-Cut conduit knife allows subsequent slitting of closed cable protection conduits. It can be used by both the right and left-handed. The sliding foot is made of extremely hard-wearing Teflon-coated metal. The Tube-Cut conduit knife features the following advantages:

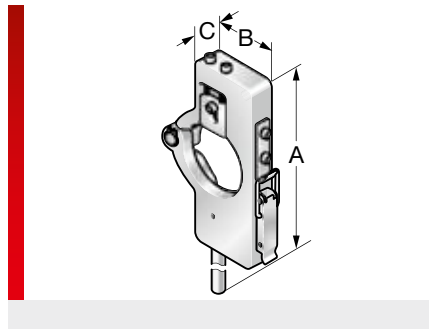
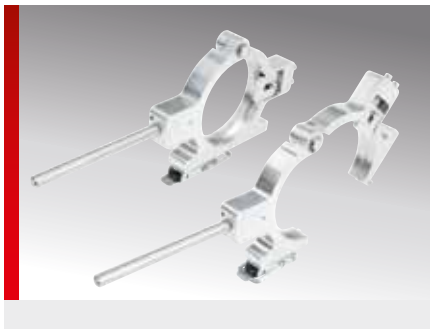
- Extremely easy handling
- Two different versions available
- Safe to use with a material hold-down device that also shields the blade
- Fast and safe blade change
- Very low weight

SPECIFICATIONS

- Plastic
Steel
- Not suitable for NW95 with high corrugation

Type	Order No.	Protection class	Length mm	Suitable for Murrflex	Pack qty.
Tube-Cut/D	83729214		120.00	Standard corrugation M12/P09 to NW 95, High corrugation (EWX) to NW 70	1
Tube-Cut/Z	83729212		120.00	Standard corrugation M12/P09 to NW 95, NW70	1

Type m-cut



PRODUCT INFORMATION

The type m-cut corrugated conduit cutter is made of aluminium and makes length adjustments for Murrplastik cable protection conduits easy and safe. It can be used by both the right and left-handed. A sturdy double-edged blade has been installed to achieve perfectly cut edges. Furthermore, the corrugated conduit cutters feature the following advantages:

- Extremely easy handling
- Safe handling, because of its spring-loaded blade cover, which covers the blade when the cutter is not in use.
- Faster and more secure blade exchange -> blades are available as spare parts
- Low weight

SPECIFICATIONS

Aluminium

Made in Germany

Type	Order No.	Suitable for Murrflex	Pack qty.
m-cut M40 B	83729222	M40/P36	1
m-cut M50 B	83729224	M50/P48	1
m-cut 56 B	83729226	NW56	1
m-cut 70 B	83729228	NW70	1
m-cut 95 B	83729230	NW95	1



Appendix





Selection table cable protection conduits – material / temperatures / approvals

CONDUIT TYPE		TEMPERATURES					APPROVALS							
		Material	°C Lowest application temperature	°C Highest application temperature	°C Transient stress	Fire classification UL 94	RoHS – Reach	GL	ATEX	Robi	UR	EN 45545	CE	
CLOSED STANDARD CABLE PROTECTION CONDUITS	EW	PE	-20	70	90	HB	●						●	
	EWX	PE	-20	70	90	HB	●						●	
	EWS	PE	-20	70	90	HB	●						●	
	EWF	PE	-20	90	120	V2	●						●	
	EWS/F	PE	-20	90	120	V2	●						●	
	EW-PP	PP	-45	130	150	V2	●						●	
	EWL-PP	PP	-45	130	150	V2	●						●	
	EWX-PP	PP	-45	130	150	V2	●						●	
	EW-PA	PA6	-40	140	160	HB	●						●	
	EWL-PA	PA6	-40	140	160	HB	●						●	
	EWX-PA	PA6	-40	140	160	HB	●						●	
	EW-PAB	PA6	-25	140	160	V0	●	●			●		●	
	EWL-PAB	PA6	-25	140	160	V2	●	●					●	
	EW-PAT	PA6	-40	140	180	V2	●					●	●	
	EWL-PAT	PA6	-40	140	180	V2	●					●	●	
	EW-PA-UL	PA6	-40	140	160	V0	●	●			●		●	
	EWX-PA-UL	PA6	-40	140	160	V0	●	●			●		●	
	EW-PRF	PA12	-40	105	150	V2	●	●		●	●		●	
	EW-PRT	PA12	-40	120	140	V2	●			●		●	●	
	EW-PAE	PA12	-40	120	150	HB	●			●			●	
EWX-PAE	PA12	-40	120	150	HB	●			●			●		
EW-HY	TPE	-45	160	180	HB	●			●			●		
EWX-HY	TPE	-45	160	180	HB	●			●			●		
CLOSED SPECIAL CABLE PROTECTION CONDUITS	EF	TPE	-45	160	180	HB	●			●			●	
	EWB	PE	-15	90	120	HB	●						●	
	EW-TEF	PTFE	-200	260		V0	●						●	
	EW-PA-EX	PA12	-40	110	150	HB	●		●*				●	
	EW-PAP	PA6	-40	120	140	HB	●						●	
	EW-PATM	PA6	-40	120	140	V2	●				●		●	
	EL	PVC	-15	60		V2	●						●	
	ELS	PVC	-25	80	100	V2	●						●	
	EVK	PVC	-15	60		V2	●						●	
	GF	PA6.6	-50	150	175	V2	●						●	
	GF-P	PET	-55	150		V2	●						●	
OPEN / SEPARABLE CABLE PROTECTION CONDUITS	EW-LS	PE	-20	70	90	HB	●						●	
	EWX-LS	PE	-20	70	90	HB	●						●	
	EW-PA-LS	PA6	-40	140	160	HB	●						●	
	EWX-PA-LS	PA6	-40	140	160	HB	●						●	
	EWX-PAE-LS	PA12	-40	120	150	HB	●			●			●	
	EWX-HY-LS	TPE	-45	160	180	HB	●			●			●	
	EWT-PA	PA6	-40	140	160	HB	●						●	
	EWT-PAT	PA6	-40	140	180	V0	●				●		●	
	EWT-PP	PP	-40	130	150	V2	●						●	

* tested according to ATEX directive only


Selection table cable protection conduits – applications



CONDUIT TYPE		APPLICATIONS						
		Control cabinet construction	Mechanical engineering	Robotics engineering	Chemical plants	External use	Welding applications	Railway engineering
CLOSED STANDARD CABLE PROTECTION CONDUITS	EW	•						
	EWX	•						
	EWS	•						
	EWF	•						
	EWS/F	•						
	EW-PP		•		•	•		
	EWL-PP	•	•					
	EWX-PP		•		•	•		
	EW-PA		•			•		
	EWL-PA	•	•					
	EWX-PA		•			•		
	EW-PAB		•			•		
	EWL-PAB	•	•					
	EW-PAT		•					•
	EWL-PAT	•	•					•
	EW-PA-UL	(•)	•			•		
	EWX-PA-UL		•			•		
	EW-PRF		•	•	•	•		
	EW-PRT		•	•	(•)	•		•
	EW-PAE		•	•	(•)	•	•	
EWX-PAE			•	(•)		•		
EW-HY		•	•	(•)				
EWX-HY			•	(•)				
CLOSED SPECIAL CABLE PROTECTION CONDUITS	EF		•	•				
	EWB				(•)	(•)		
	EW-TEF		•		•	(•)		
	EW-PA-EX		•	(•)				
	EW-PAP		•				•	
	EW-PATM		•					•
	EL		•		•			
	ELS		•		•			
	EVK		•		•			
	GF	•						
	GF-P	•			(•)			
OPEN / SEPARABLE CABLE PROTECTION CONDUITS	EW-LS	•						
	EWX-LS	•						
	EW-PA-LS	•	•					
	EWX-PA-LS	•	•					
	EWX-PAE-LS			•	(•)	•		
	EWX-HY-LS			•	(•)	•		
	EWT-PA	•	•					
	EWT-PAT	•	•					•
	EWT-PP	•	•		•	•		



Selection table cable protection conduits – mechanical protection

CONDUIT TYPE		MECHANICAL PROTECTION					Crush resistance (N/100 mm)
		low	medium	high	very high	extremely high	
							
CLOSED STANDARD CABLE PROTECTION CONDUITS	EW	•					200
	EWX		•				500
	EWS	•					50
	EWF	•					200
	EWS/F	•					50
	EW-PP			•			700
	EWL-PP		•				550
	EWX-PP				•		1300
	EW-PA			•			800
	EWL-PA		•				550
	EWX-PA				•		1300
	EW-PAB			•			800
	EWL-PAB		•				550
	EW-PAT			•			800
	EWL-PAT		•				550
	EW-PA-UL				•		1300
	EWX-PA-UL					•	2000
	EW-PRF			•			900
	EW-PRT		•				450
	EW-PAE		•				450
EWX-PAE		•				550	
EW-HY		•				400	
EWX-HY			•			700	
CLOSED SPECIAL CABLE PROTECTION CONDUITS	EF	•					300
	EWB			•			750
	EW-TEF	•					200
	EW-PA-EX		•				350
	EW-PAP			•			800
	EW-PATM			•			800
	EL		•				550
	ELS					•	2000
	EVK		•				450
	GF	•					—
	GF-P	•					—
	OPEN / SEPARABLE CABLE PROTECTION CONDUITS	EW-LS	•				
EWX-LS			•				400
EW-PA-LS				•			700
EWX-PA-LS					•		1200
EWX-PAE-LS			•				450
EWX-HY-LS			•				600
EWT-PA					•		1200
EWT-PAT					•		1000
EWT-PP				•			900

